



SPICER[®]

Off-Highway Products

Service Parts List

Transmission
3019FMHR24341-110
4264759

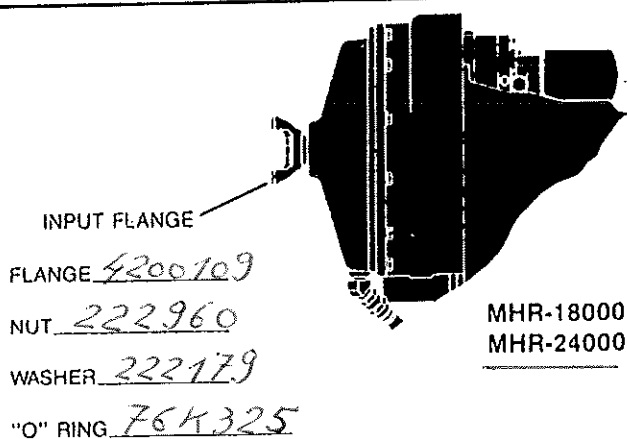
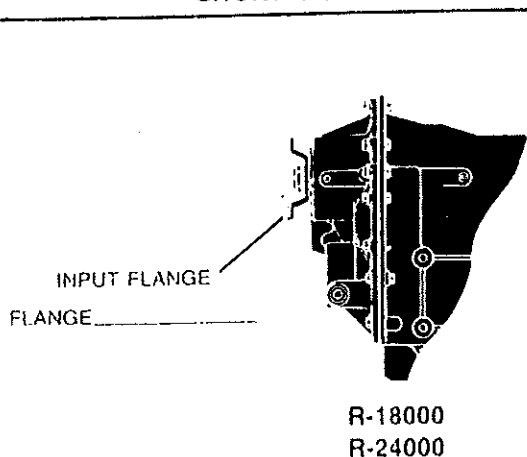
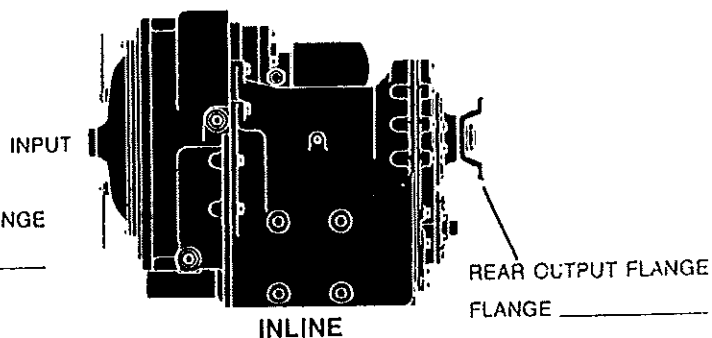
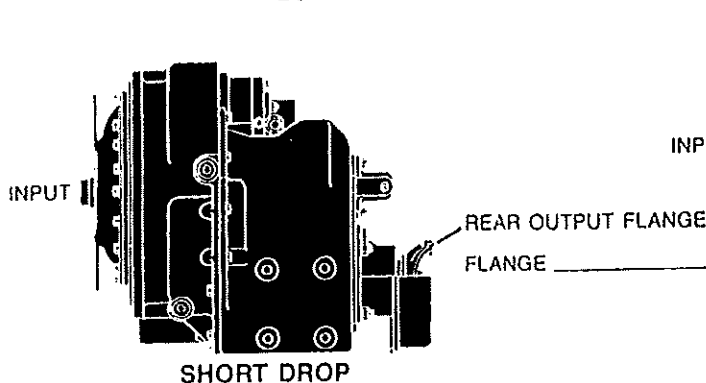
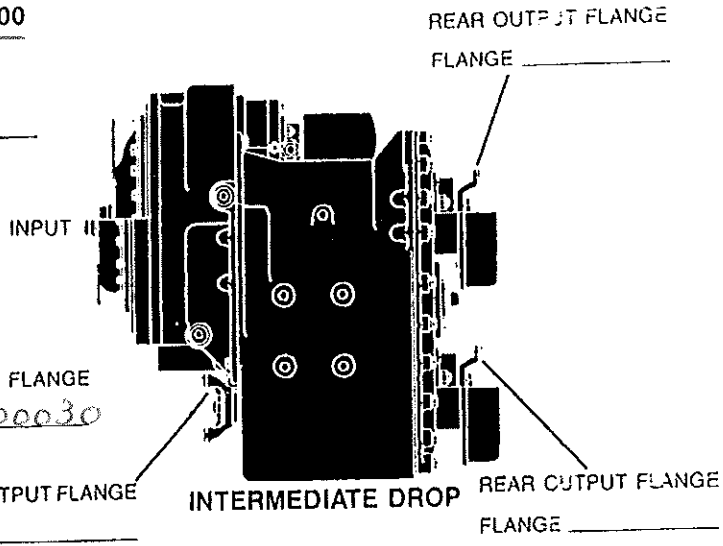
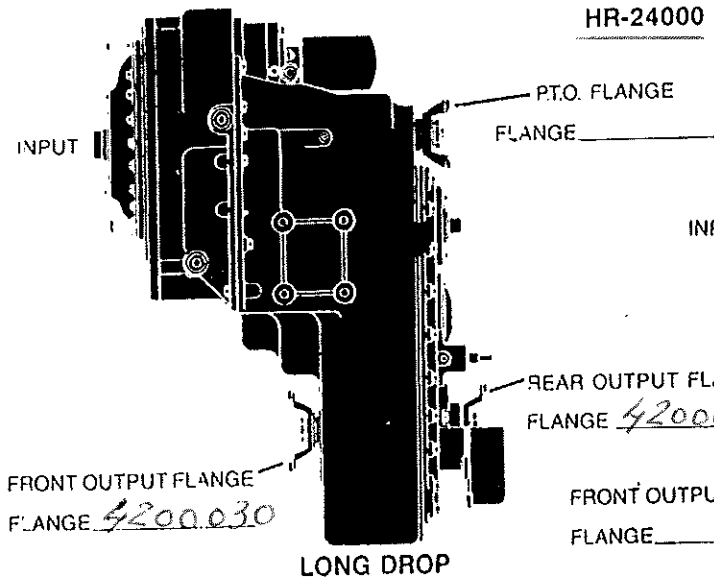
TPL-0524
October 2013



SPICER OFF-HIGHWAY

4264759

HR-18000
HR-24000



Date : 07-APR-11
Revised :
MODEL : 4264759

3019FMHR24341-110
ASSY-24000 TRANSMISSION FOR NORMET.

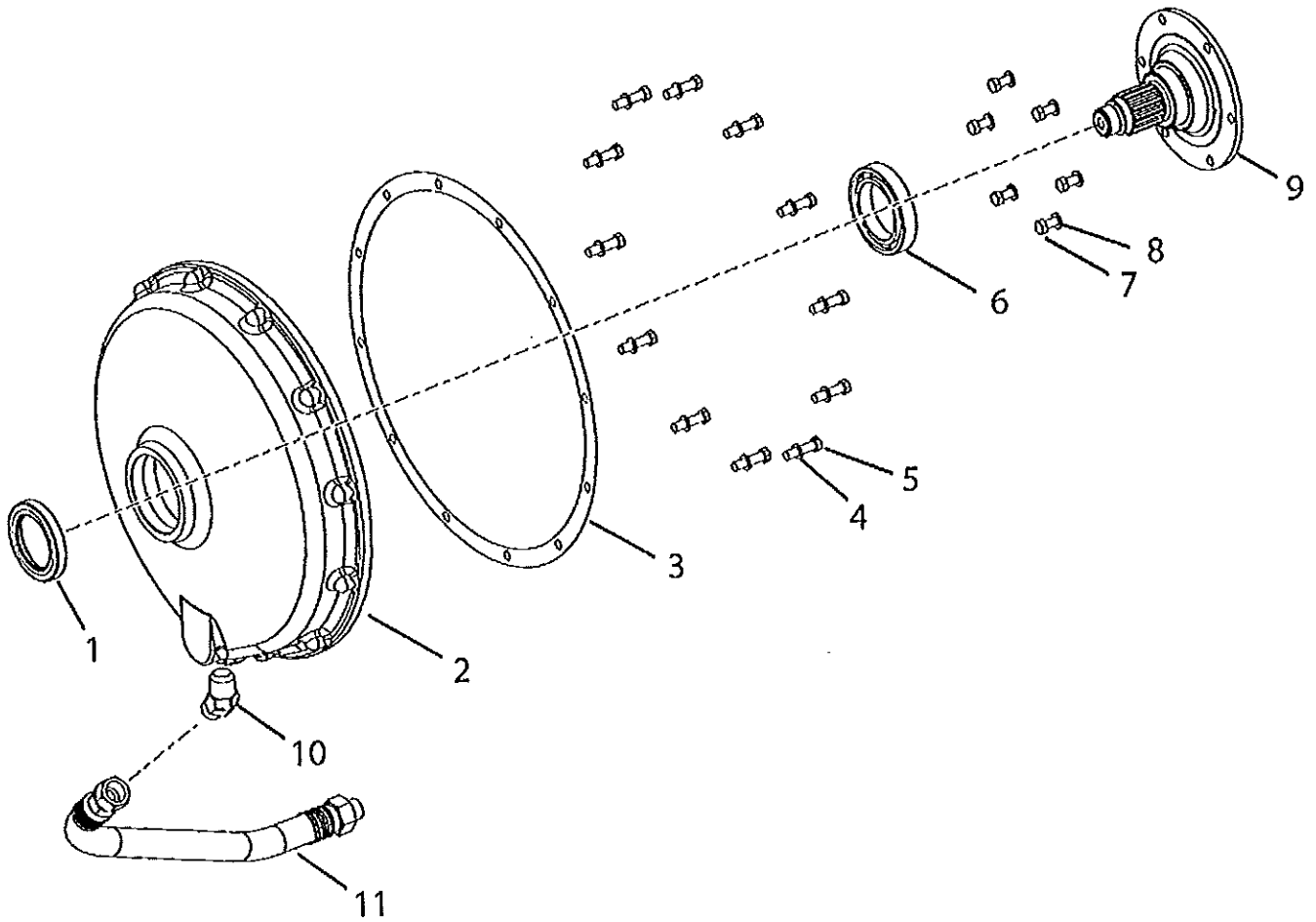
<u>Item</u>	<u>Qty</u>	<u>Part Number</u>	<u>%</u>	<u>Description</u>
1	1	4200030	E	FLANGE-COMPANION GWB 387/30 SEE FRONT PAGE FOR FLANGE LOCATION
2	1	4200030	E	FLANGE-COMPANION GWB 387/30 SEE FRONT PAGE FOR FLANGE LOCATION
	1	4200799		SET-CLAMP

N.I.

N.S.S. - Not Sold Separately
N.I. - Not Illustrated
% - Part Stock Recommendation

24000

GROUP-FRONT COVER AND INPUT SHAFT



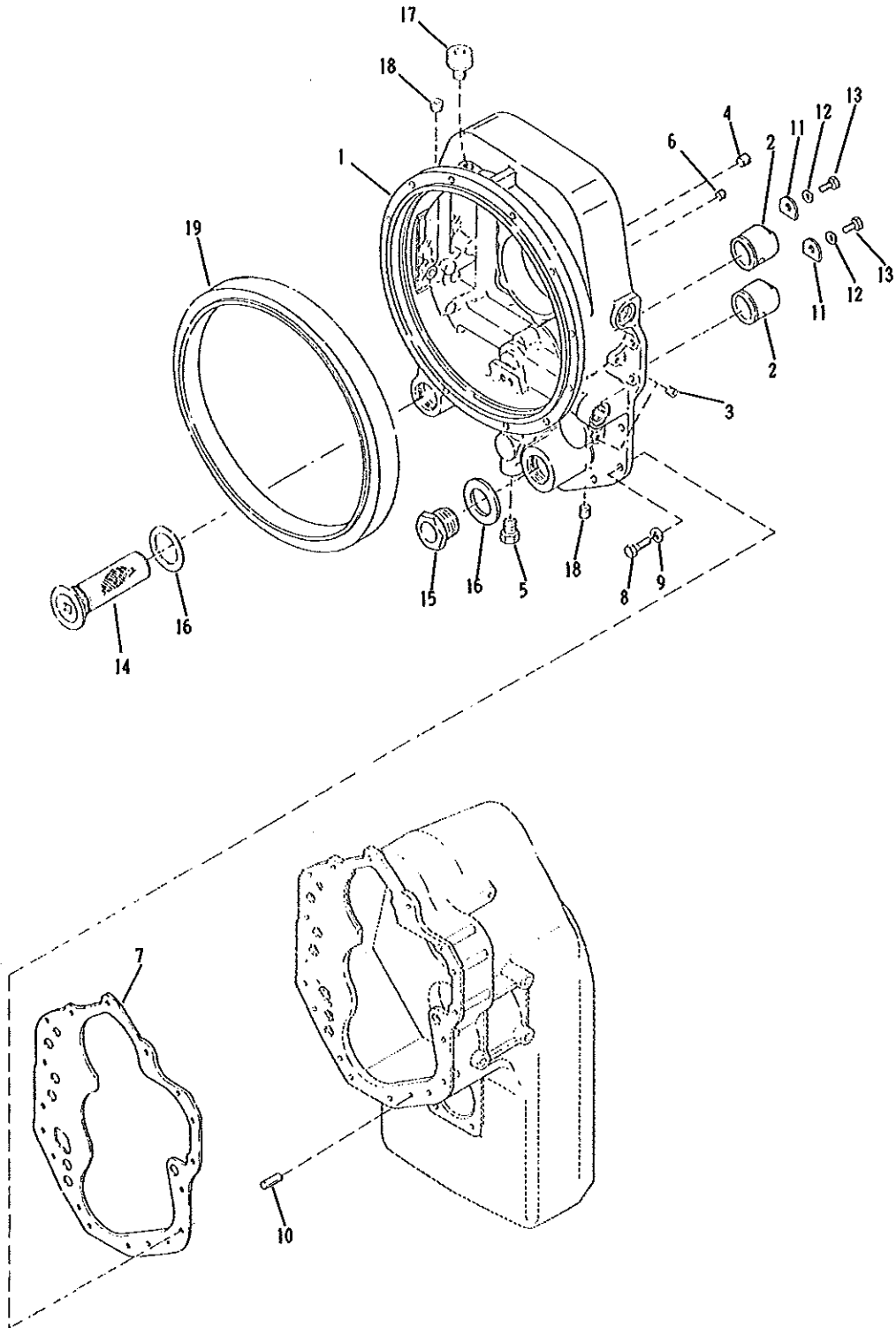
Date : 07-APR-11
Revised :
MODEL : 4506284

MHR24000
GROUP- FRONT COVER AND INPUT SHAFT

<u>Item</u>	<u>Qty</u>	<u>Part Number</u>	<u>%</u>	<u>Description</u>
1	1	230954	B	SEAL-OIL
2	1	4214956	E	COVER-FRONT
3	1	232125	B	GASKET-FRONT COVER TO CONVERTER
4	12	4E6		LOCKWASHER-SCREW
5	12	1C624		SCREW-FRONT COVER TO CONVERTER
6	1	223359	C	BEARING-BALL
7	6	18C612		SCREW-INPUT SHAFT TO CONVERTER
8	6	4E6		LOCKWASHER-SCREW
9	1	4214955	E	SHAFT-INPUT
10	1	84F8		FITTING-45 DEGREE HOSE
11	1	237585		ASSEMBLY-DRAIN HOSE

N.S.S. - Not Sold Separately
N.I. - Not Illustrated
% - Part Stock Recommendation

24000 CONVERTER HOUSING GROUP



Date : 07-APR-11
 Revised : B
 MODEL : 4500245

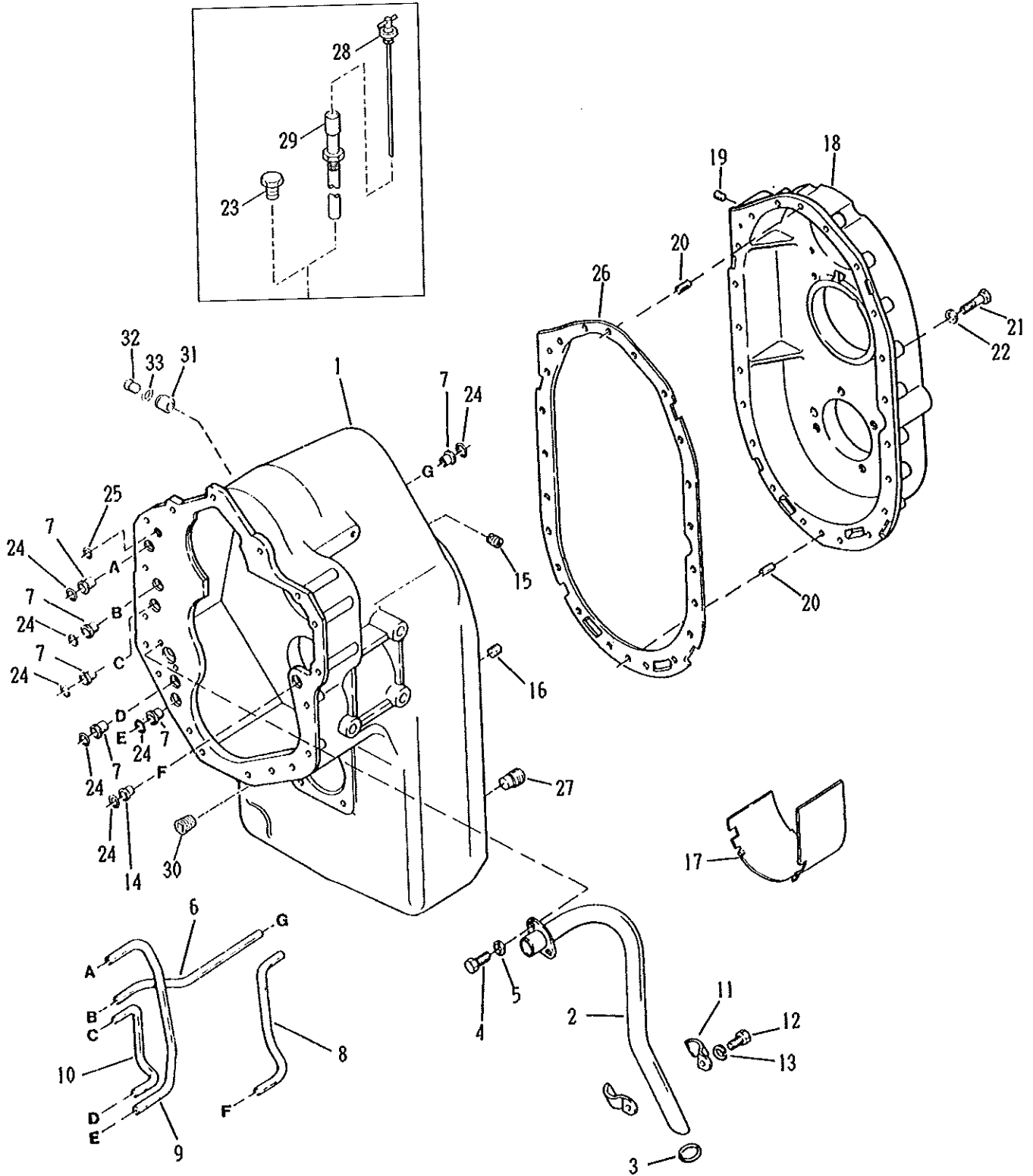
24000
 GROUP-CONVERTER HOUSING

<u>Item</u>	<u>Qty</u>	<u>Part Number</u>	<u>%</u>	<u>Description</u>	
1	1	4204040	E	ASSY-CONVERTER HOUSING, TUBE AND PLUG	
2	2	248612	C	SLEEVE-CONVERTER HOUSING	
3	1	239243		PLUG-PIPE	
4	1	11F8		PLUG-PIPE	TEMP PICKUP
5	1	24K6		PLUG	
6	2	239244		PLUG-PIPE	
7	1	241279	B	GASKET-CONV HSG TO TRANS CASE	
8	17	17C720		SCREW-CONV HSG TO TRANS CASE	
9	17	4E7		LOCKWASHER-CONV HSG TO TRANS CASE SCREW	
10	1	214295	C	PIN-CONV HSG TO TRANS CASE DOWEL	
11	2	230851		CLIP-SLEEVE	
12	2	1C510		SCREW-SLEEVE CLIP	
13	2	4E5	E	LOCKWASHER-SLEEVE CLIP SCREW	
14	1	231390	D	ASSEMBLY-SCREEN	
15	1	219370		PLUG-CASE ASSEMBLY HOLE	
16	2	219373	B	GASKET-SCREEN ASSEMBLY	
17	1	238535	C	BREATHER-AIR	
18	2	47K5		PLUG-LUBE PRESSURE & CLUTCH PRESSURE	
19				Not Used On This Model	
	1	4202312	D	BUSHING-SPEED SENSOR	N.I.
	AR	4202388		SPACER-SPEED SENSOR	N.I.
	AR	248167	B	SHIM-WASHER	N.I.
	1	1KM18		PLUG-SENSOR PORT	N.I.
	1	60K30020	B	"O" RING-SPEED SENSOR PORT	N.I.
	2	16F4		PLUG-PIPE	N.I.

N.S.S. - Not Sold Separately
 N.I. - Not Illustrated
 % - Part Stock Recommendation

24000

TRANSMISSION CASE AND REAR COVER GROUP



Date : 07-APR-11
 Revised : A
 MODEL : 4500355

24000
 GROUP-TRANSMISSION CASE & COVER

<u>Item</u>	<u>Qty</u>	<u>Part Number</u>	<u>%</u>	<u>Description</u>
1	1	4203275	E	ASSY-TRANSMISSION CASE-INCL.ITEMS 2 THRU 14
2	1	242667		ASSY-SUCTION TUBE -PART OF ITEM 1
3	1	60K40104	B	O RING - PART OF ITEM 1
4	2	1C510		CAPSCREW - PART OF ITEM 1
5	2	4E5	E	LOCKWASHER - PART OF ITEM 1
6	1	242639		TUBE-LOW SPEED CLUTCH PRESSURE-PART OF ITEM 1
7	4	222067	E	SLEEVE-PRESS & LUBR.TUBE - PART OF ITEM 1
8	1	245163		TUBE LUBE - PART OF ITEM 1
9	1	241319	D	TUBE-3RD CLUTCH - PART OF ITEM 1
10				Not Used On This Model
11	2	242670		CLIP-SUCTION TUBE - PART OF ITEM 1
12	1	1C612		CAPSCREW - PART OF ITEM 1
13	1	4E6		LOCKWASHER - PART OF ITEM 1
14	1	221871		TUBE SLEEVE - PART OF ITEM 1
15	1	16F4		PLUG-PIPE
16	1	16F6		PLUG-PIPE
17	1	248613	D	BAFFLE-OIL
18	1	244384	E	ASSEMBLY-REAR COVER & PLUG-INCL.ITEM 19
19	1	239244		PLUG - PART OF ITEM 18
20	2	214295	C	PIN-TRANSMISSION CASE TO REAR COVER DOWEL
21	18	17C724		SCREW-REAR COVER TO CASE
21A	2	17C732		SCREW-REAR COVER TO CASE
22	20	4E7		LOCKWASHER-REAR COVER TO CASE
23				Not Used On This Model
24	5	60K40026	B	"O" RING-CLUTCH PRESSURE TUBE

N.S.S. - Not Sold Separately
 N.I. - Not Illustrated
 % - Part Stock Recommendation

Date : 07-APR-11
Revised : A
MODEL : 4500355

24000

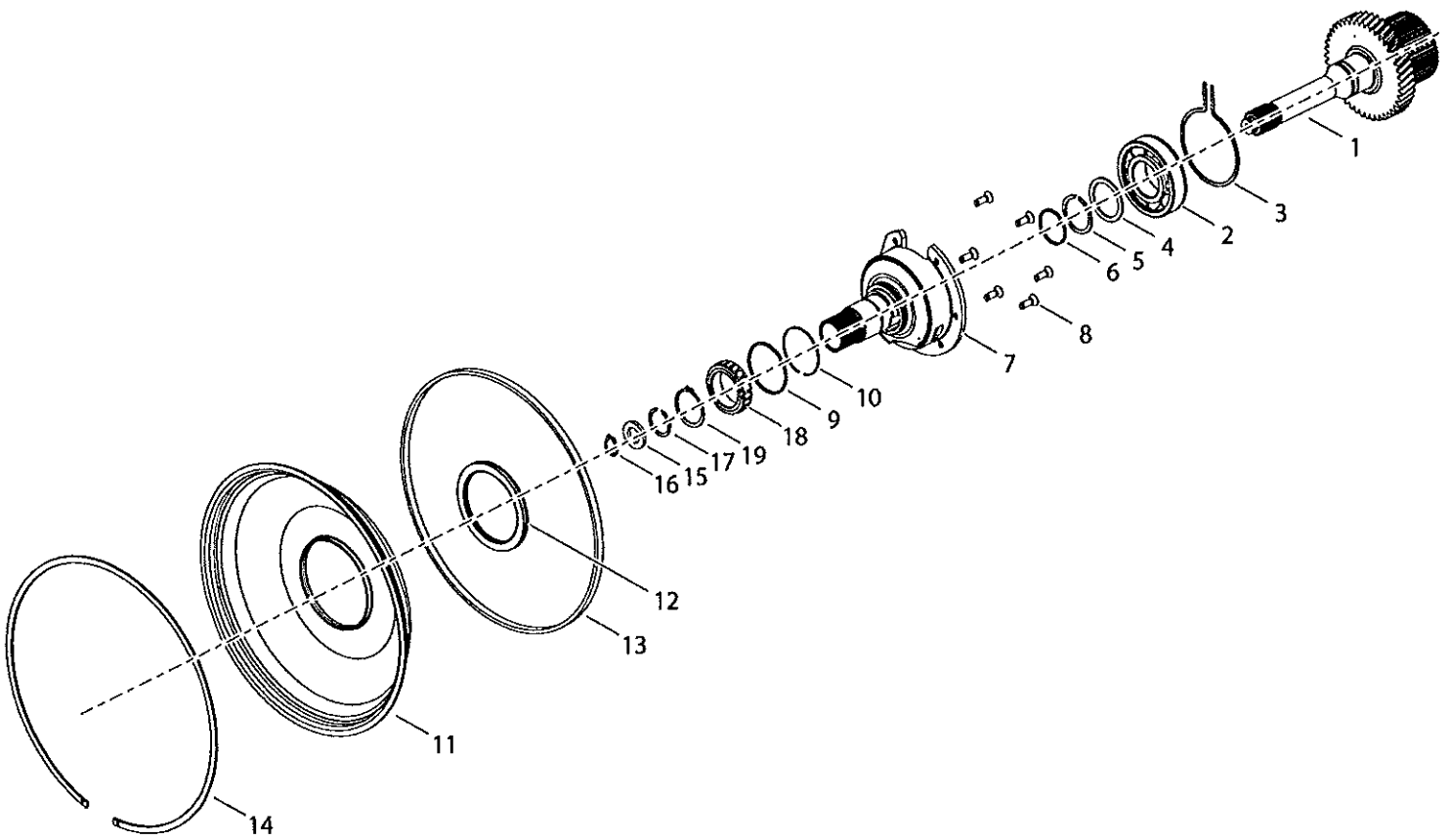
GROUP-TRANSMISSION CASE & COVER

<u>Item</u>	<u>Qty</u>	<u>Part Number</u>	<u>%</u>	<u>Description</u>
25	1	60K30018	B	"O" RING-CLUTCH PRESSURE
26	1	236646	B	GASKET-REAR COVER TO TRANS CASE
27	2	215757		PLUG-MAGNETIC DRAIN
28	1	242603	C	DIPSTICK
29	1	236669	D	ASSY-DIPSTICK TUBE
30				Not Used On This Model
31	1	248166	E	BUSHING-SENSOR PORT
31A	AR	248167	B	SHIM-WASHER
32	1	1KM18		PLUG-SPEEDO SENSOR PORT
33	1	60K30020	B	"O" RING-SPEED SENSOR PORT

N.S.S. - Not Sold Separately
N.I. - Not Illustrated
% - Part Stock Recommendation

24000

GROUP-TURBINE SHAFT



Date : 07-APR-11
Revised :
MODEL : 4506269

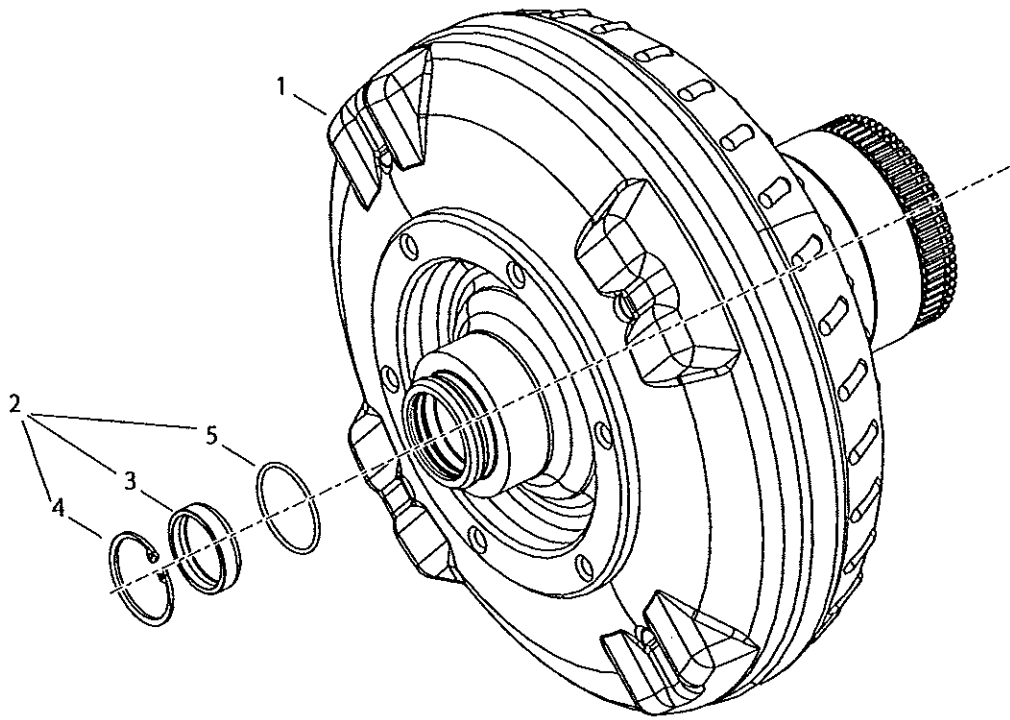
24000
GROUP-TURBINE SHAFT

<u>Item</u>	<u>Qty</u>	<u>Part Number</u>	<u>%</u>	<u>Description</u>
1	1	4215821	E	ASSY-TURBINE SHAFT HUB
2	1	4205105	C	BEARING-BALL
3	1	234229	C	SNAP RING EXTERNAL-SPECIAL
4	1	234230		WASHER-BEARING SUPPORT
5	1	231776	C	BEARING RETAINING RING
6	1	223085	C	PISTON RING
7	1	4214540		SUPPORT-STATOR
8	6	241308		SCREW-STATOR SUPPORT
9	1	245772	B	PISTON RING
10	1	249124	B	SPRING-PISTON RING EXPANDER
11	1	242830	E	BAFFLE-OIL
12				Not Used On This Model
13	1	241237	B	RING-OIL BAFFLE SEAL
14	1	245787	D	RING-OIL BAFFLE RETAINING
15	1	4214941	D	SPACER-TURBINE
16	1	6JM22	D	RING-SNAP
17	1	234908	C	RING-SNAP
18	1	242997	C	BEARING-IMPELLER HUB
19	1	5JM50	C	RING-SNAP

N.S.S. - Not Sold Separately
N.I. - Not Illustrated
% - Part Stock Recommendation

24000

GROUP-TORQUE CONVERTER



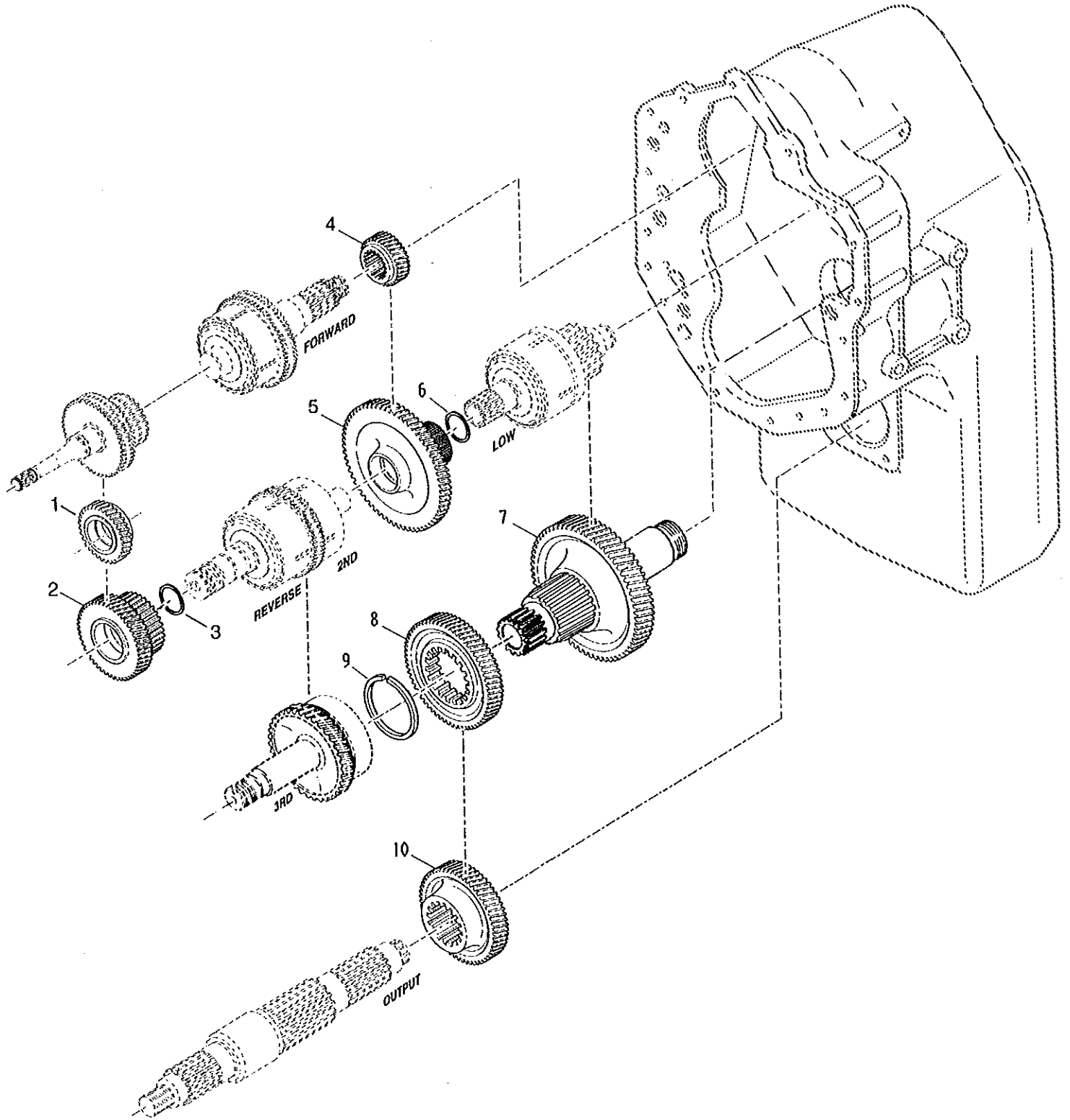
Date : 07-APR-11
Revised :
MODEL : 4506274

MHR24000
GROUP-TORQUE CONV. ASSY 3019F

<u>Item</u>	<u>Qty</u>	<u>Part Number</u>	<u>%</u>	<u>Description</u>
1	1	4215786	E	TORQUE-CONVERTER 3019F
2	1	4215349		KIT-TORQUE CONVERTER PLUG Including items 3 thru 5
3	1	4214947		PLUG-TORQUE CONVERTER - PART OF ITEM 2
4	1	4215353	D	SNAP RING - PART OF ITEM 2
5	1	4215354	B	O RING - PART OF ITEM 2

N.S.S. - Not Sold Separately
N.I. - Not Illustrated
% - Part Stock Recommendation

24000 GROUP - GEAR



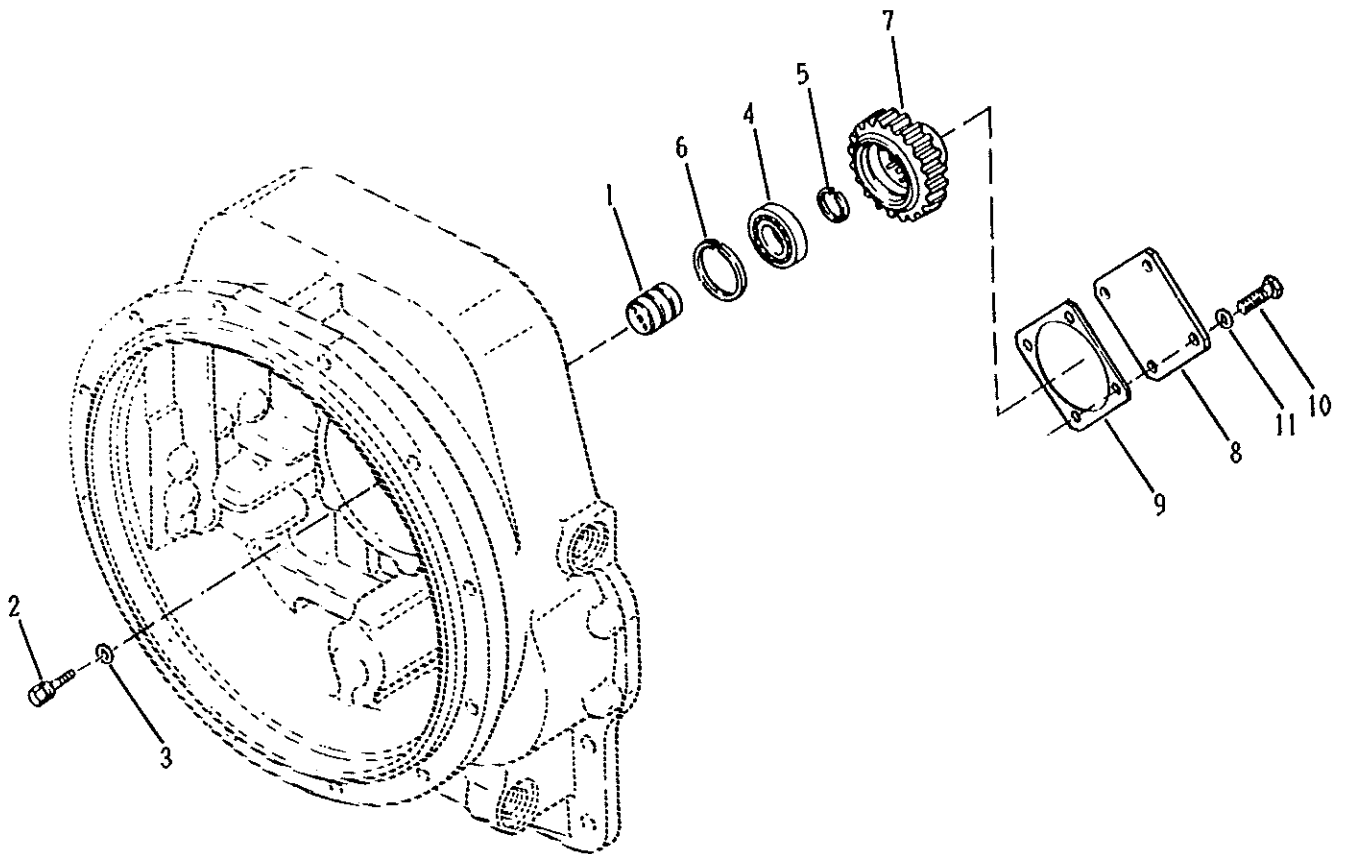
Date : 07-APR-11
Revised : C
MODEL : 265802

24000
GROUP-GEAR

<u>Item</u>	<u>Qty</u>	<u>Part Number</u>	<u>%</u>	<u>Description</u>	
1	1	247704	D	GEAR-REVERSE IDLER	32T
2	1	4207993	C	GEAR-REVERSE CLUTCH	43T
3				Not Used On This Model	
4	1	243876	C	GEAR-FORWARD SHAFT	33T
5	1	4208016		GEAR-LOW CLUTCH	59T
6				Not Used On This Model	
7	1	244450	C	SHAFT-IDLER	51T
8	1	244451	C	GEAR-IDLER SHAFT 33T	
9	1	224173	D	SNAP RING	
10	1	244453	C	GEAR-OUTPUT SHAFT	52T

N.S.S. - Not Sold Separately
N.I. - Not Illustrated
% - Part Stock Recommendation

24000
AUXILIARY PUMP DRIVE GROUP



Date : 07-APR-11
Revised : C
MODEL : 239578

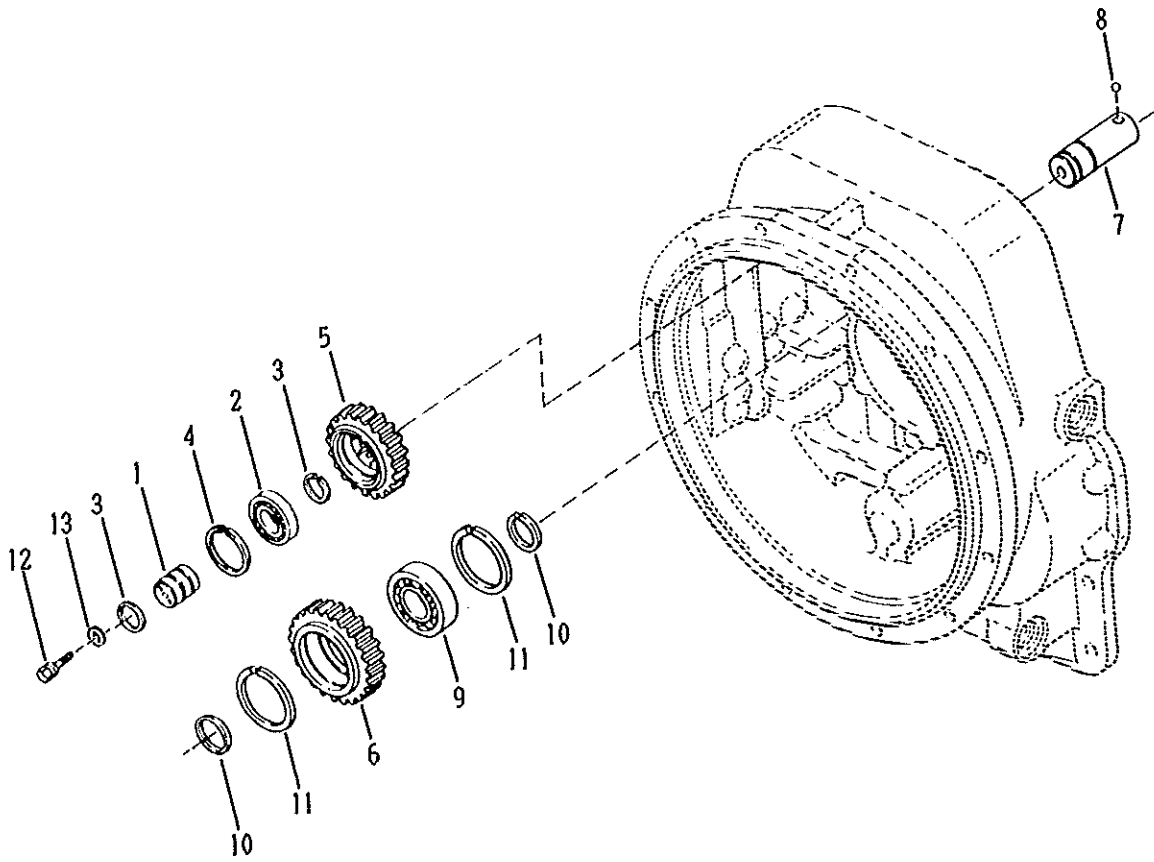
18000PS
GROUP-AUX. PUMP DRIVE PARTS

<u>Item</u>	<u>Qty</u>	<u>Part Number</u>	<u>%</u>	<u>Description</u>
1	1	234327	D	SUPPORT-PUMP DRIVE BEARING
2	2	1C620		SCREW-BEARING SUPPORT
3	2	4E6		LOCKWASHER-BEARING SUPPORT
4	1	238222	C	BEARING-PUMP DRIVE GEAR 207-M
5	1	234908	C	RING-DRIVE GEAR BEARING LOCATING
6	1	223878	C	RING-DRIVE GEAR BEARING RETAINING
7	1	239571	D	GEAR-PUMP DRIVE 36T-10P 13T-16/32
8	1	3614642	E	COVER-PUMP MOUNTING PERMANENT
9	1	4205272	B	GASKET-SHIPPING COVER
10	2	1C816		CAPSCREW-PUMP MOUNTING PERMANENT COVER
11	2	4E8		LOCKWASHER-PUMP COVER SCREW

N.S.S. - Not Sold Separately
N.I. - Not Illustrated
% - Part Stock Recommendation

24000

CHARGING PUMP DRIVE GROUP



Date : 07-APR-11
Revised : C
MODEL : 238140

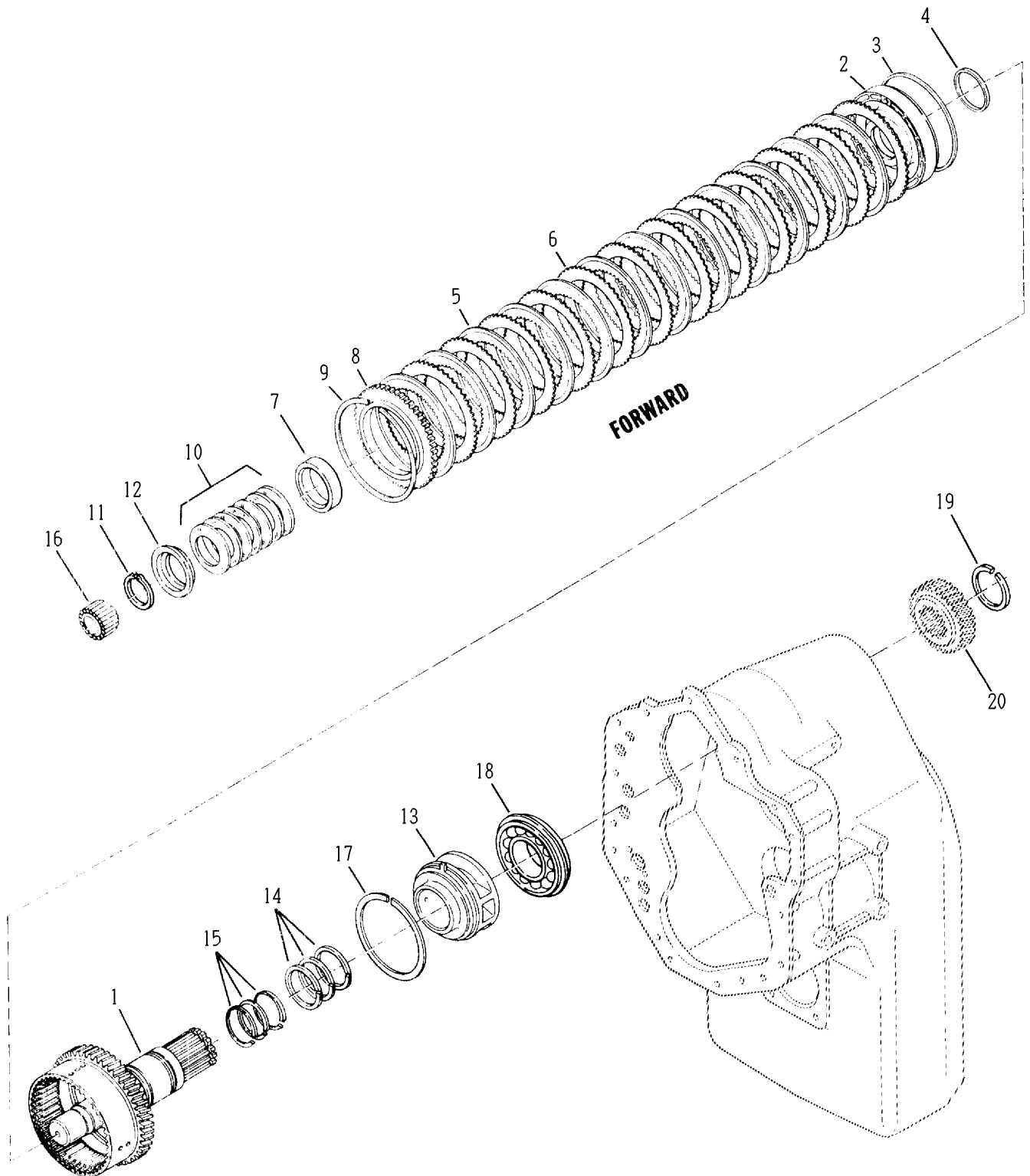
18000PS
GROUP-CHARGING PUMP DRIVE

<u>Item</u>	<u>Qty</u>	<u>Part Number</u>	<u>%</u>	<u>Description</u>
1	1	234327	D	SUPPORT-PUMP DRIVE BEARING
2	1	247584		BEARING-PUMP DRIVE GEAR 107KS
3	2	234908	C	RING-DRIVE GEAR BEARING LOCATING
4	1	223922	C	RING-DRIVE GEAR BEARING RETAINING
5	1	238212	D	GEAR-PUMP DRIVE 36T-10P
6	1	238211	D	GEAR-PUMP DRIVE IDLER 40T-10P
7	1	238215	D	SHAFT-IDLER GEAR STUB
8	1	10J8		BALL-IDLER SHAFT LOCK
9	1	238223	C	BEARING-IDLER GEAR STUB SHAFT 307M
10	2	234908	C	RING-IDLER GEAR BEARING LOCATING
11	2	223964	C	RING-IDLER GEAR BEARING RET.
12	2	1C620		SCREW-BEARING SUPPORT
13	2	4E6		LOCKWASHER-BEARING SUPPORT

N.S.S. - Not Sold Separately
N.I. - Not Illustrated
% - Part Stock Recommendation

24000

FORWARD SHAFT GROUP



Date : 01-OCT-13
Revised : G
MODEL : 265803

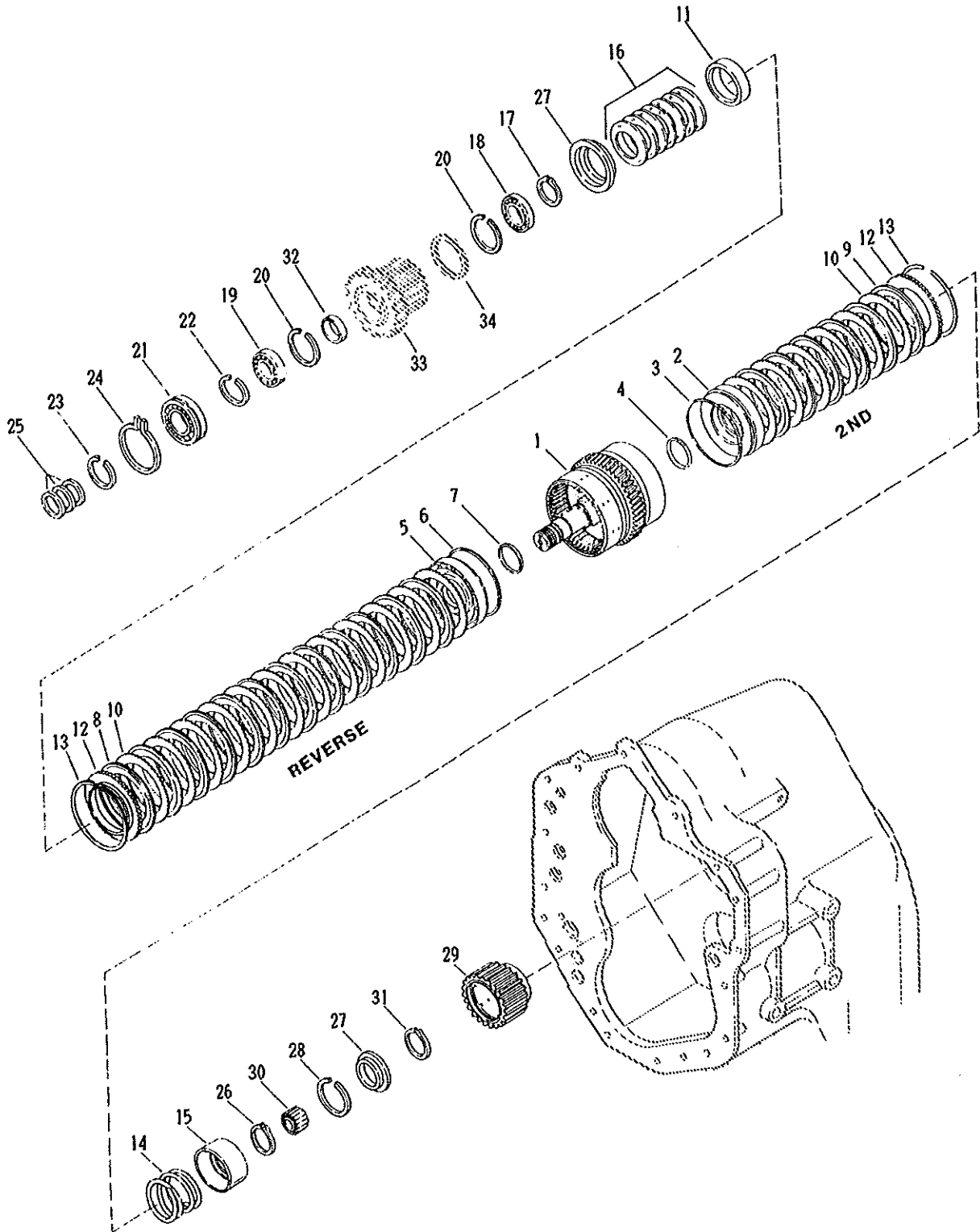
24000
GROUP-FORWARD SHAFT

<u>Item</u>	<u>Qty</u>	<u>Part Number</u>	<u>%</u>	<u>Description</u>
1	1	242673	E	ASSY-FORWARD SHAFT, DRUM & PLUG
2	1	4204050	D	ASSY-CLUTCH PISTON AND SEALS-INCL.ITEMS 3 & 4
3	1	237032	B	SEAL-CLUTCH PISTON - OUTER - PART OF ITEM 2
4	1	234113	B	SEAL-CLUTCH PISTON - INNER - PART OF ITEM 2
5	12	237016	C	DISC-CLUTCH INNER
6	12	234109	C	DISC-CLUTCH OUTER
7	1	237442		SPACER-PISTON RETURN SPRING
8	1	242650	E	PLATE-CLUTCH DISC BACKING
9	1	234111	C	SNAP RING-BACKING PLATE
10	1	247657		ASSY-DISC SPRING - INCL. 7 WASHERS
11	1	234350	D	RING-RETAINING
12	1	241313		RETAINER-SPRING
13	1	241037	B	SLEEVE-PISTON RING
14	3	4207676	B	RING-PISTON
15				Not Used On This Model
16	1	235763	C	BEARING-FORWARD SHAFT PILOT
17	1	235764	D	RING-PISTON RING SLEEVE RETAINING
18	1	241819	D	BEARING-FORWARD SHAFT REAR
19	1	238034	D	RING-GEAR RETAINING
20				FORWARD SHAFT GEAR - SEE GEAR GROUP

N.S.S. - Not Sold Separately
N.I. - Not Illustrated
% - Part Stock Recommendation

24000

REVERSE & 2ND SHAFT GROUP - 3 SPEED



Date : 07-APR-11
Revised : N
MODEL : 265804

24000
GROUP-REVERSE 2ND SHAFT

<u>Item</u>	<u>Qty</u>	<u>Part Number</u>	<u>%</u>	<u>Description</u>
1	1	246220	E	ASSY-REVERSE & 2ND SHAFT, DRUM & PLUG
2	1	4207175	B	ASSY-CL PISTON,BALL SEAT&SEALS-INCL.ITEMS 3&4
3	1	237032	B	SEAL-CLUTCH PISTON - OUTER - PART OF ITEM 2
4	1	234113	B	SEAL-CLUTCH PISTON - INNER - PART OF ITEM 2
5	1	4204050	D	ASSY-CLUTCH PISTON & SEALS-INCL.ITEMS 6 & 7
6	1	237032	B	SEAL-CLUTCH PISTON - OUTER - PART OF ITEM 5
7	1	234113	B	SEAL-CLUTCH PISTON - INNER - PART OF ITEM 5
8	12	237016	C	DISC-CLUTCH INNER
9	6	237016	C	DISC-CLUTCH INNER
10	18	234109	C	DISC-CLUTCH OUTER
11	1	237442		SPACER-PISTON RETURN
12	2	242650	E	PLATE-CLUTCH DISC BACKING
13	2	234111	C	SNAP RING-BACKING PLATE
14	1	235960	D	SPRING-PISTON RETURN 2ND CLUTCH
15	1	235959	E	RETAINER-SPRING 2ND CLUTCH
16	1	247657		ASSEMBLY-DISC SPRING - INCLUDING 7 WASHERS
17	1	234350	D	SNAP RING-SPRING RETAINER 2ND CLUTCH
18	1	230829	C	BEARING-CLUTCH DRIVEN GEAR
19	1	233389	C	BEARING-CLUTCH DRIVEN GEAR
20	2	234141	D	SNAP RING-CLUTCH GEAR BEARING
21	1	241606	C	BRG-REVERSE & 2ND SHAFT FRONT
22	1	247949	D	SNAP RING-FRONT BEARING REAR
23	1	246238	C	SNAP RING-FRONT BRG FRONT
24	1	230889	D	SNAP RING-FRONT BEARING
25	3	4208098	B	PISTON-RING

N.S.S. - Not Sold Separately
N.I. - Not Illustrated
% - Part Stock Recommendation

Date : 07-APR-11
Revised : N
MODEL : 265804

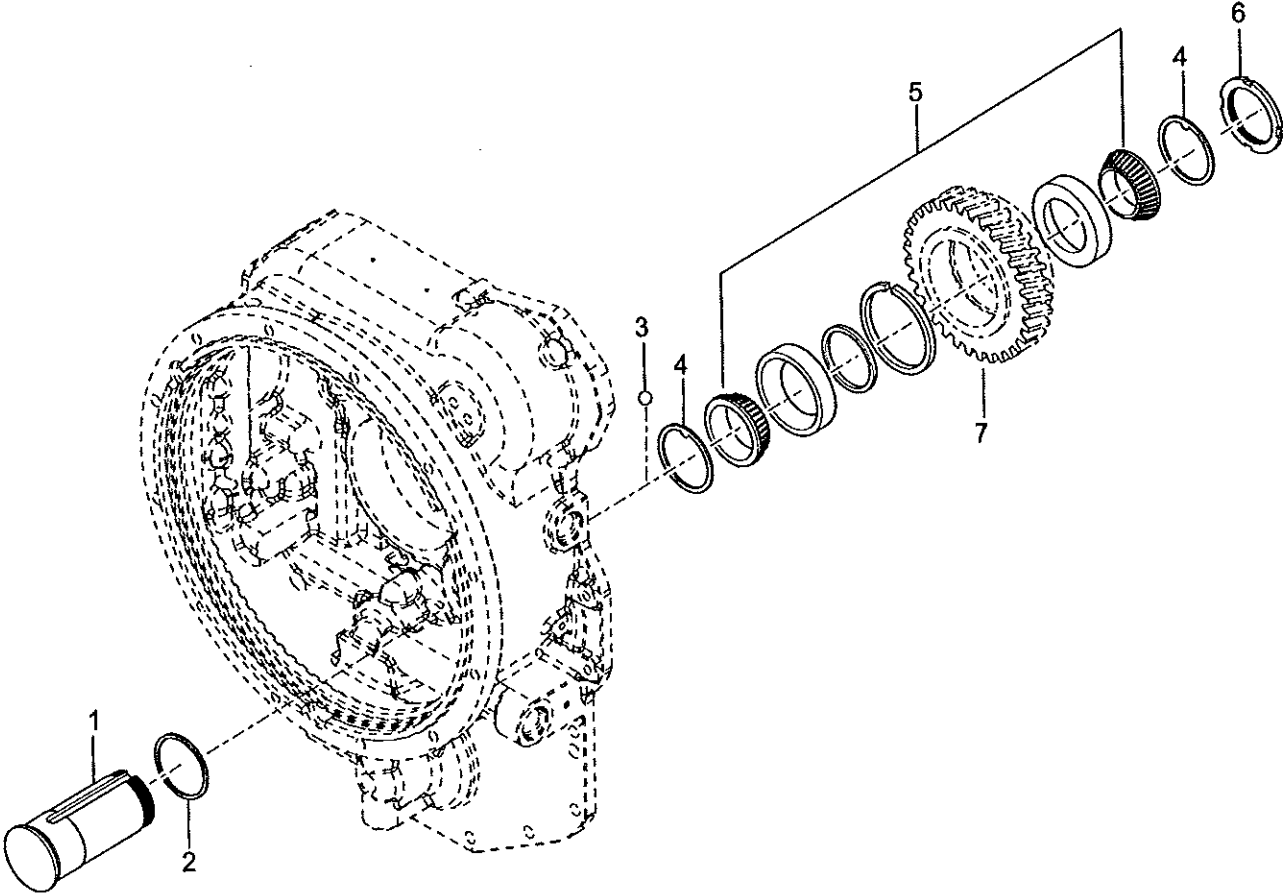
24000
GROUP-REVERSE 2ND SHAFT

<u>Item</u>	<u>Qty</u>	<u>Part Number</u>	<u>%</u>	<u>Description</u>
26	1	234350	D	SNAP RING-SPRING RETAINER
27	2	241313		RETAINER
28	1	241603	C	SNAP RING-RETAINER
29	1	4203200	D	HUB-2ND CLUTCH
30	1	233065	C	BEARING-REV. & 2ND SHAFT REAR
31	1	234350	D	SNAP RING-2ND CLUTCH DISC HUB
32	1	234304	D	SPACER-CLUTCH DRIVEN GEAR BEARING
33				REV CLUTCH GEAR & HUB ASSY - SEE GEAR GROUP
34				RETAINING RING - SEE GEAR GROUP

N.S.S. - Not Sold Separately
N.I. - Not Illustrated
% - Part Stock Recommendation

TE10/24000

REVERSE IDLER GROUP



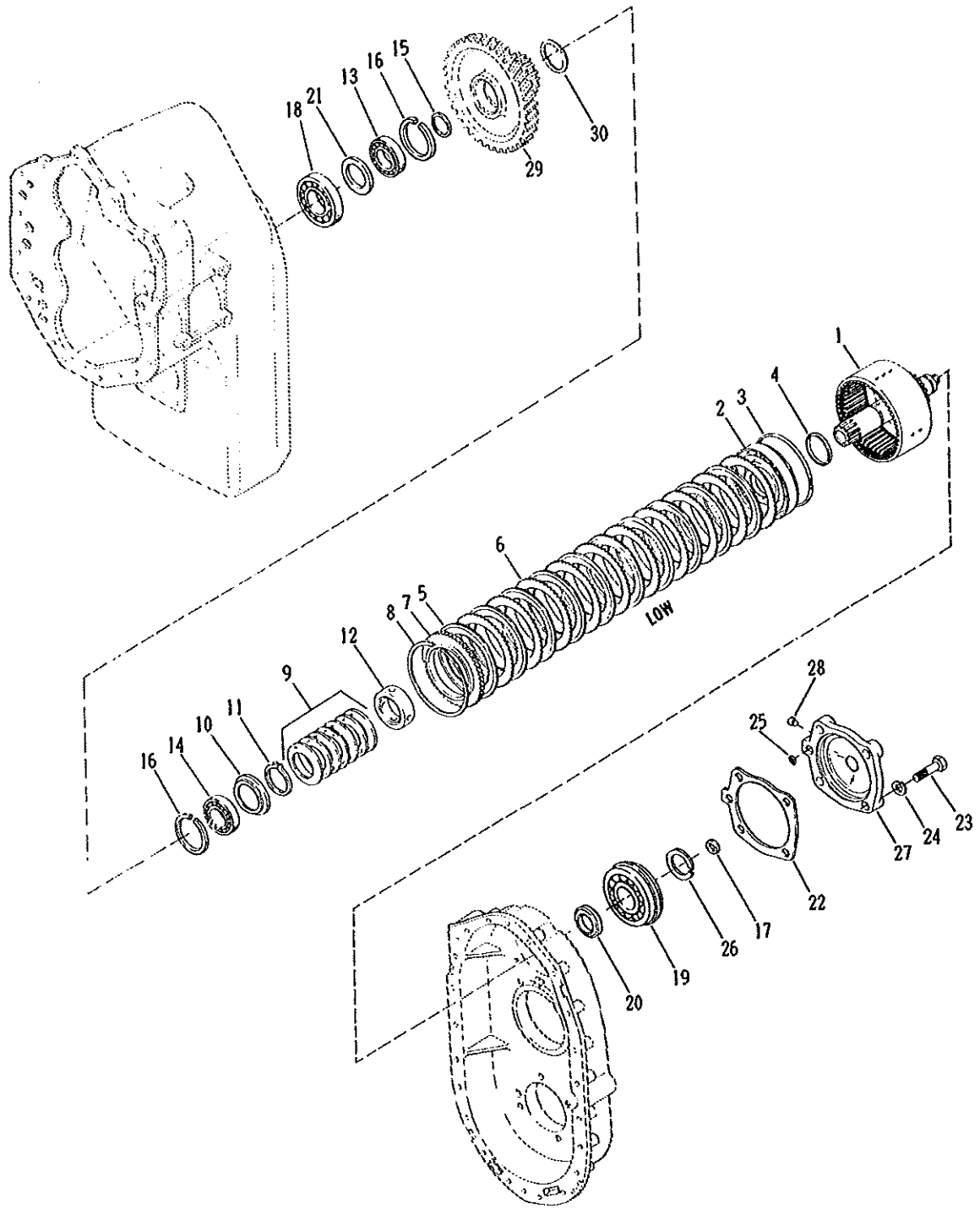
Date : 07-APR-11
Revised :
MODEL : 265225

24000
GROUP-REVERSE IDLER

<u>Item</u>	<u>Qty</u>	<u>Part Number</u>	<u>%</u>	<u>Description</u>
1	1	242872	D	SHAFT-REVERSE IDLER
2	1	76K223	B	"O" RING-IDLER SHAFT
3	1	10J10		BALL
4	2	238911		WASHER TANGED
5	1	247664	C	ASSY-BEARING
6	1	201700		NUT-BEARING RETAINING PLATE
7				GEAR-REVERSE IDLER - SEE GEAR GROUP

N.S.S. - Not Sold Separately
N.I. - Not Illustrated
% - Part Stock Recommendation

24000
LOW SHAFT GROUP



Date : 07-APR-11
Revised : G
MODEL : 265524

24000
GROUP-LOW SPEED SHAFT

<u>Item</u>	<u>Qty</u>	<u>Part Number</u>	<u>%</u>	<u>Description</u>
1	1	243870	E	ASSY-LOW CLUTCH SHAFT DRUM & BLEED VALVE
2	1	4204050	D	ASSY-CLUTCH PISTON & SEALS-INCL.ITEMS 3 & 4
3	1	237032	B	SEAL-CLUTCH PISTON - OUTER - PART OF ITEM 2
4	1	234113	B	SEAL-CLUTCH PISTON - INNER - PART OF ITEM 2
5	10	234336	C	DISC-CLUTCH INNER
6	10	234109	C	DISC-CLUTCH OUTER
7	1	242650	E	PLATE-CLUTCH DISC BACKING
8	1	234111	C	RING-BACKING PLATE RETAINING
9	1	247659	D	ASSY-DISC SPRING - INCLUDING 7 WASHERS
10	1	248095		RETAINER-SPRING
11	1	234350	D	SNAP RING-SPRING RETAINER
12	1	242658		SPACER-PISTON RETURN SPRING
13	1	241818	C	BEARING-LOW SPEED GEAR
14	1	230885	C	BEARING-LOW SPEED GEAR
15	1	241259	D	SPACER-LOW SPEED GEAR BEARING
16	2	223881	C	RING-LOW SPEED GEAR BEARING LOCATING
17	1	250215	B	RING-LOW SHAFT PISTON
18	1	4205105	C	BEARING-BALL
19	1	4212867	C	BEARING-BALL
20	1	242690		SPACER-LOW SPEED CLUTCH SHAFT REAR BRG
21	1	234145	D	SPACER-FRONT BEARING
22	1	242685	B	GASKET-REAR BEARING CAP
23	4	1C720		SCREW-REAR BEARING CAP
24	4	4E7		LOCKWASHER-REAR BEARING CAP SCREW
25	1	60K30012	B	"O" RING-REAR BEARING CAP

N.S.S. - Not Sold Separately
N.I. - Not Illustrated
% - Part Stock Recommendation

Date : 07-APR-11
Revised : G
MODEL : 265524

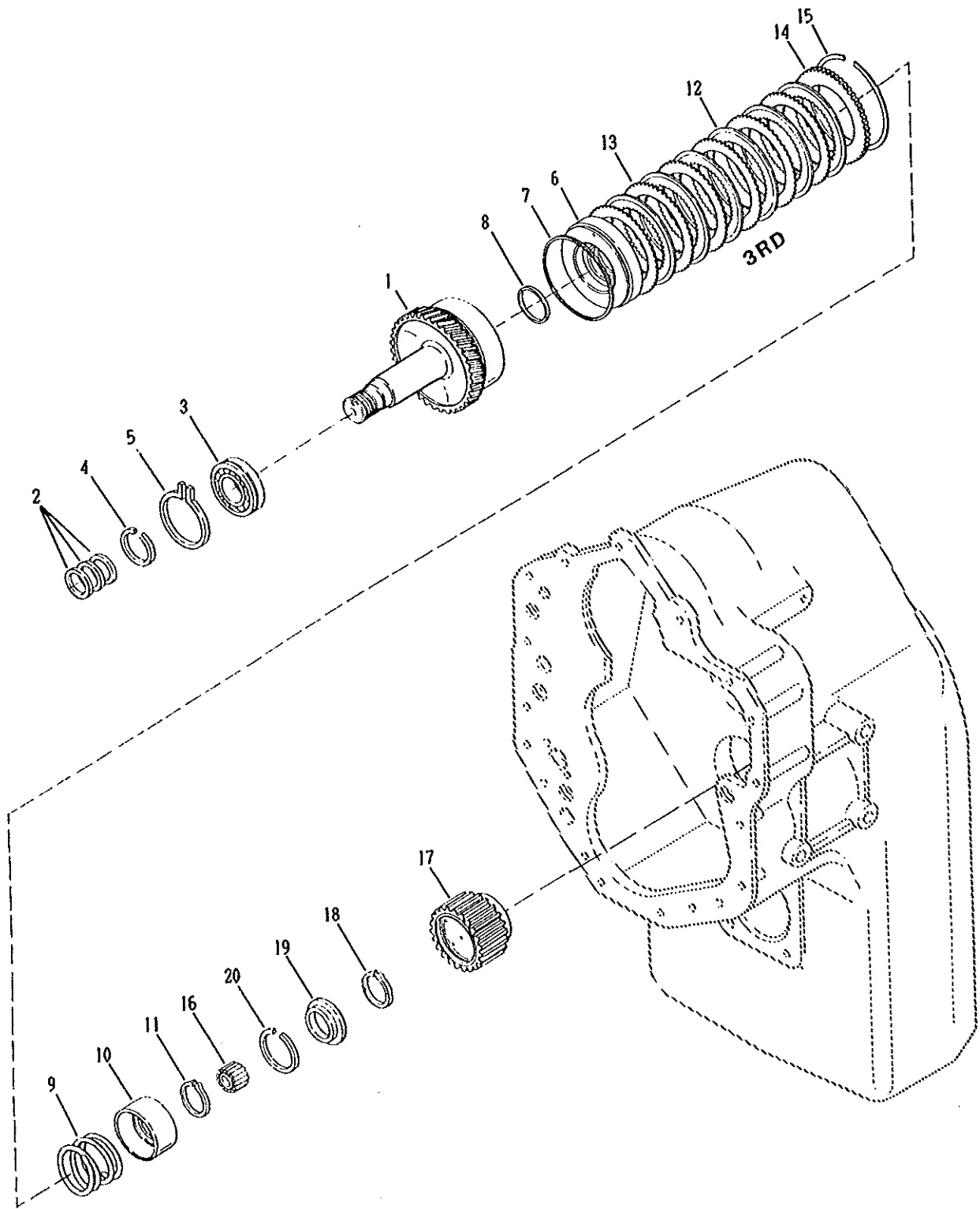
24000
GROUP-LOW SPEED SHAFT

<u>Item</u>	<u>Qty</u>	<u>Part Number</u>	<u>%</u>	<u>Description</u>
26	1	232081	D	RING-REAR BEARING RETAINING
27	1	242686	E	ASSY-REAR BEARING CAP & PLUG-INCL.ITEM 28
28	1	24K2		PLUG - PART OF ITEM 29
29				ASSY-LOW GEAR HUB & RING - SEE GEAR GROUP
30				RETAINING RING - SEE GEAR GROUP

N.S.S. - Not Sold Separately
N.I. - Not Illustrated
% - Part Stock Recommendation

24000

3RD SHAFT CLUTCH GROUP



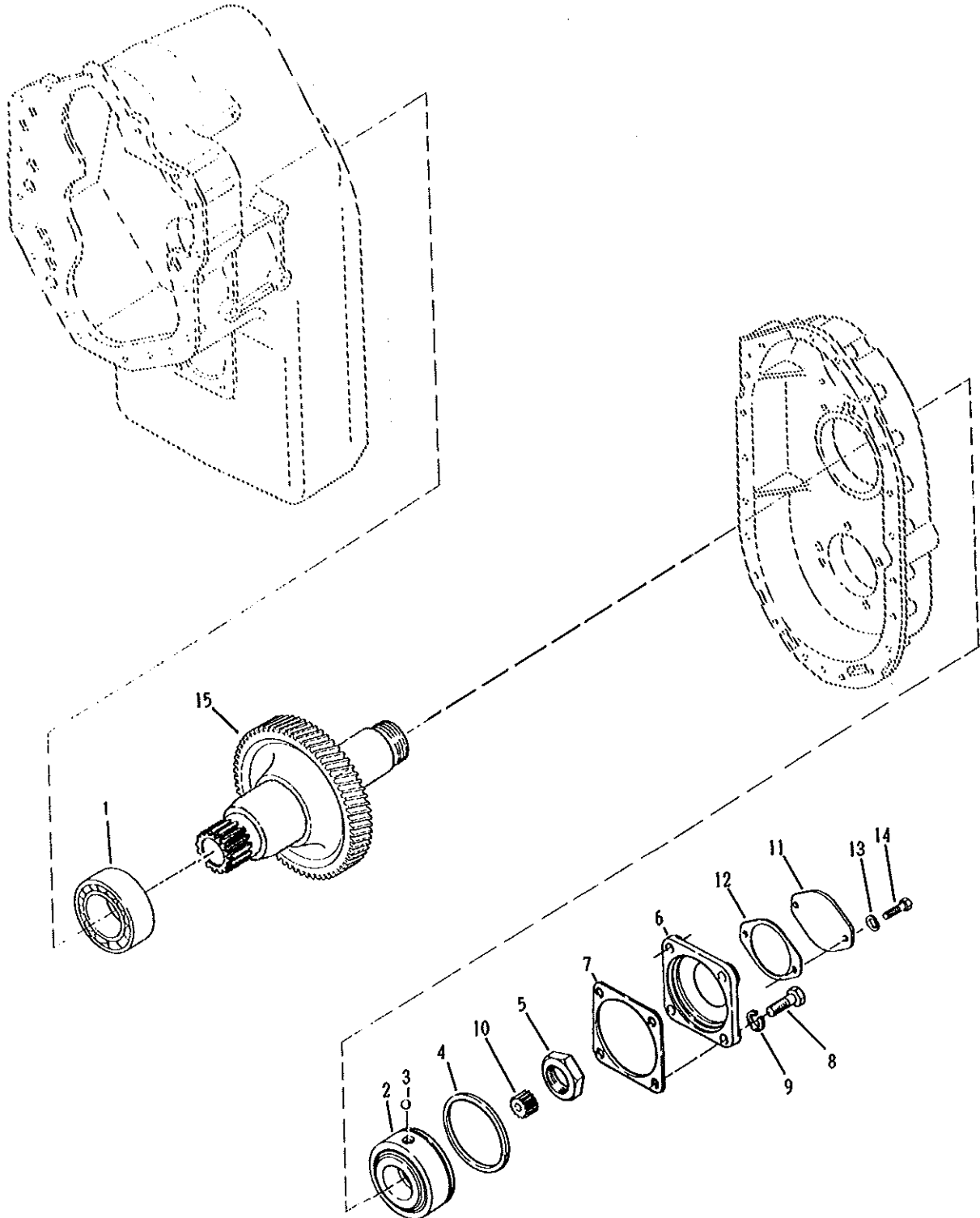
Date : 07-APR-11
Revised : M
MODEL : 265228

24000
GROUP-3RD SHAFT CLUTCH

<u>Item</u>	<u>Qty</u>	<u>Part Number</u>	<u>%</u>	<u>Description</u>
1	1	246242	E	ASSY-3RD SHAFT, DRUM & PLUG
2	2	4208098	B	PISTON-RING
3	1	241606	C	BEARING-3RD CLUTCH SHAFT FRONT
4	1	246238	C	SNAP RING-FRONT BRG NEXT TO PISTON RING GROOV
5	1	230889	D	SNAP RING-3RD CLUTCH SHAFT FRT BRG
6	1	4207175	B	ASSY-CL PISTON,BALL,SEAT&SEALS-INCL.ITEMS 7&8
7	1	237032	B	SEAL-CLUTCH PISTON - OUTER - PART OF ITEM 6
8	1	234113	B	SEAL-CLUTCH PISTON - INNER - PART OF ITEM 6
9	1	235960	D	SPRING-PISTON RETURN
10	1	235959	E	RETAINER-SPRING
11	1	234350	D	SNAPR RING-SPRING RETAINER
12	6	237016	C	DISC-CLUTCH INNER
13	6	234109	C	DISC-CLUTCH OUTER
14	1	242650	E	PLATE-CLUTCH DISC BACKING
15	1	234111	C	SNAP RING-BACKING PLATE
16	1	233065	C	BEARING-3RD CLUTCH SHAFT PILOT
17	1	4203200	D	HUB-3RD CLUTCH
18	1	234350	D	SNAP RING-3RD CLUTCH DISCH HUB
19	1	241313		RETAINER
20	1	241603	C	SNAP RING-RETAINER

N.S.S. - Not Sold Separately
N.I. - Not Illustrated
% - Part Stock Recommendation

24000
IDLER SHAFT GROUP



Date : 07-APR-11
Revised : E
MODEL : 265229

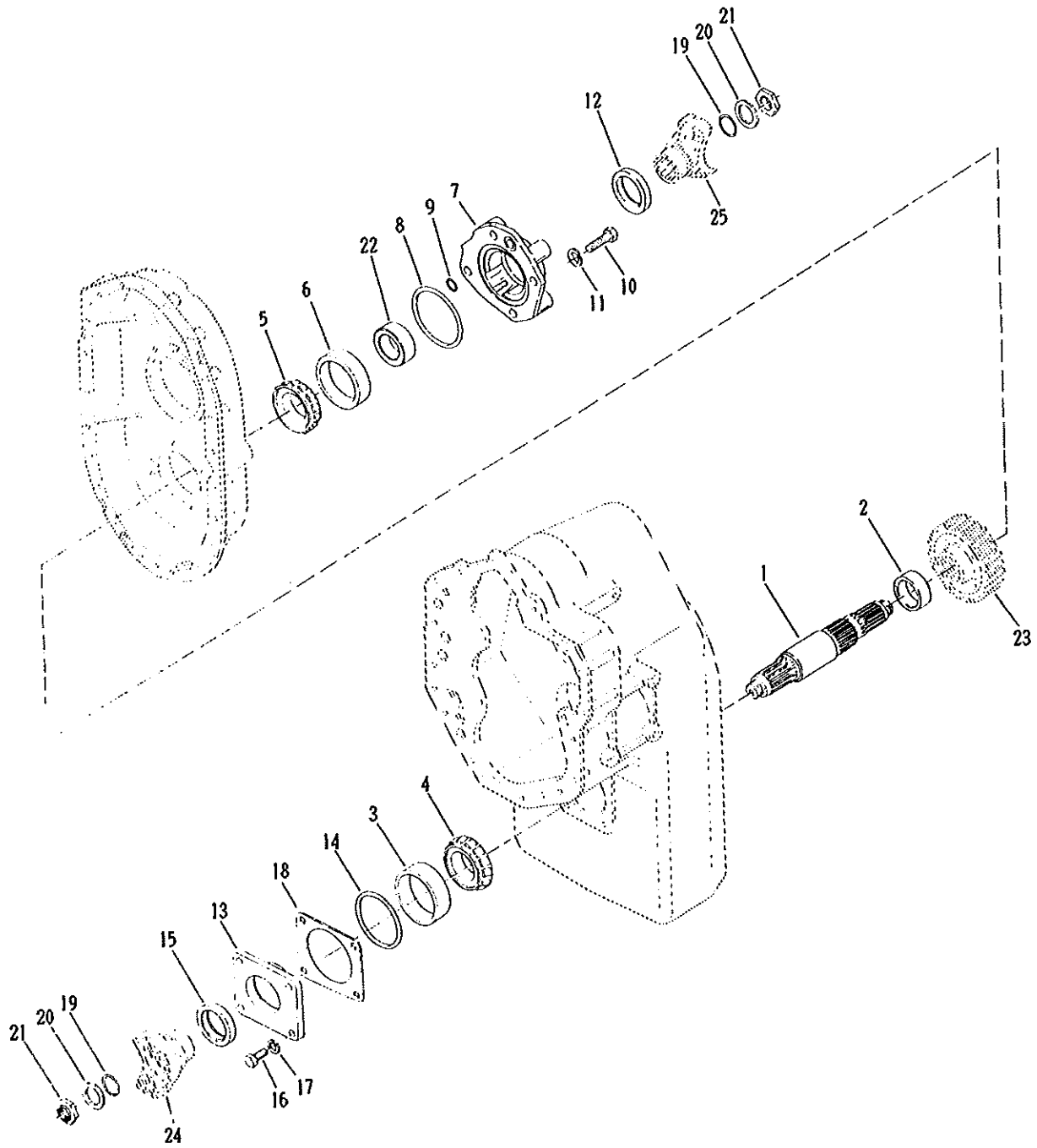
24000PS
GROUP-IDLER SHAFT

<u>Item</u>	<u>Qty</u>	<u>Part Number</u>	<u>%</u>	<u>Description</u>
1	1	229862	C	BEARING
2	1	231646	C	BEARING (ROLLER)
3	1	10J15		BALL
4	1	230952	C	SNAP RING
5	1	215634	C	NUT-IDLER SHAFT
6	1	231412	E	CAP-IDLER SHAFT REAR BEARING
7	1	230918	B	GASKET-IDLER SHAFT REAR BEARING CAP
8	4	17C924		CAPSCREW
9	4	4E9H		LOCKWASHER
10				Not Used On This Model
11				Not Used On This Model
12				Not Used On This Model
13				Not Used On This Model
14				Not Used On This Model
15				GEAR-IDLER SHAFT - SEE GEAR GROUP

N.S.S. - Not Sold Separately
N.I. - Not Illustrated
% - Part Stock Recommendation

24000

OUTPUT SHAFT GROUP



Date : 07-APR-11
Revised : C
MODEL : 266081

24000
GROUP-OUTPUT SHAFT

<u>Item</u>	<u>Qty</u>	<u>Part Number</u>	<u>%</u>	<u>Description</u>
1	1	244452	E	SHAFT-OUTPUT
2	1	235910	D	SPACER-OUTPUT SHAFT GEAR
3	1	243258	C	CUP-BEARING
4	1	247351	C	CONE-BEARING
5	1	247351	C	CONE-BEARING
6	1	243259	C	CUP-BEARING
7	1	231878	D	CAP-OUTPUT SHAFT REAR BEARING
8	1	60K40412	B	"O" RING-REAR BEARING CAP
9	1	60K30026	B	"O" RING-BEARING CAP LUBE
10	4	1C928		CAPSCREW
11	4	4E9		LOCKWASHER-BEARIN CAP SCREW
12	1	230954	B	SEAL-REAR BEARING CAP OIL
13	1	231818	E	CAP-FRONT BEARING
14	1	60K40400	B	"O" RING-FRONT BEARING CAP
15	1	230954	B	SEAL-FRONT BRG CAP OIL
16	4	1C920		SCREW-BEARING CAP
17	4	4E9		LOCKWASHER-BEARING CAP SCREW
18	AR	231848	D	SHIM DISCONNECT BEARING CAP (.004)
18A	AR	231849	D	SHIM DISCONNECT BEARING CAP (.007)
18B	AR	231850	D	SHIM DISCONNECT BEARING CAP (.010)
18C	AR	231851	D	SHIM DISCONNECT BEARING CAP (.020)
19	2	60K60116	B	"O" RING-
20	2	222179		WASHER-FLANGE
21	2	222960	C	NUT-FLANGE
22				Not Used On This Model

N.S.S. - Not Sold Separately
N.I. - Not Illustrated
% - Part Stock Recommendation

Date : 07-APR-11
Revised : C
MODEL : 266081

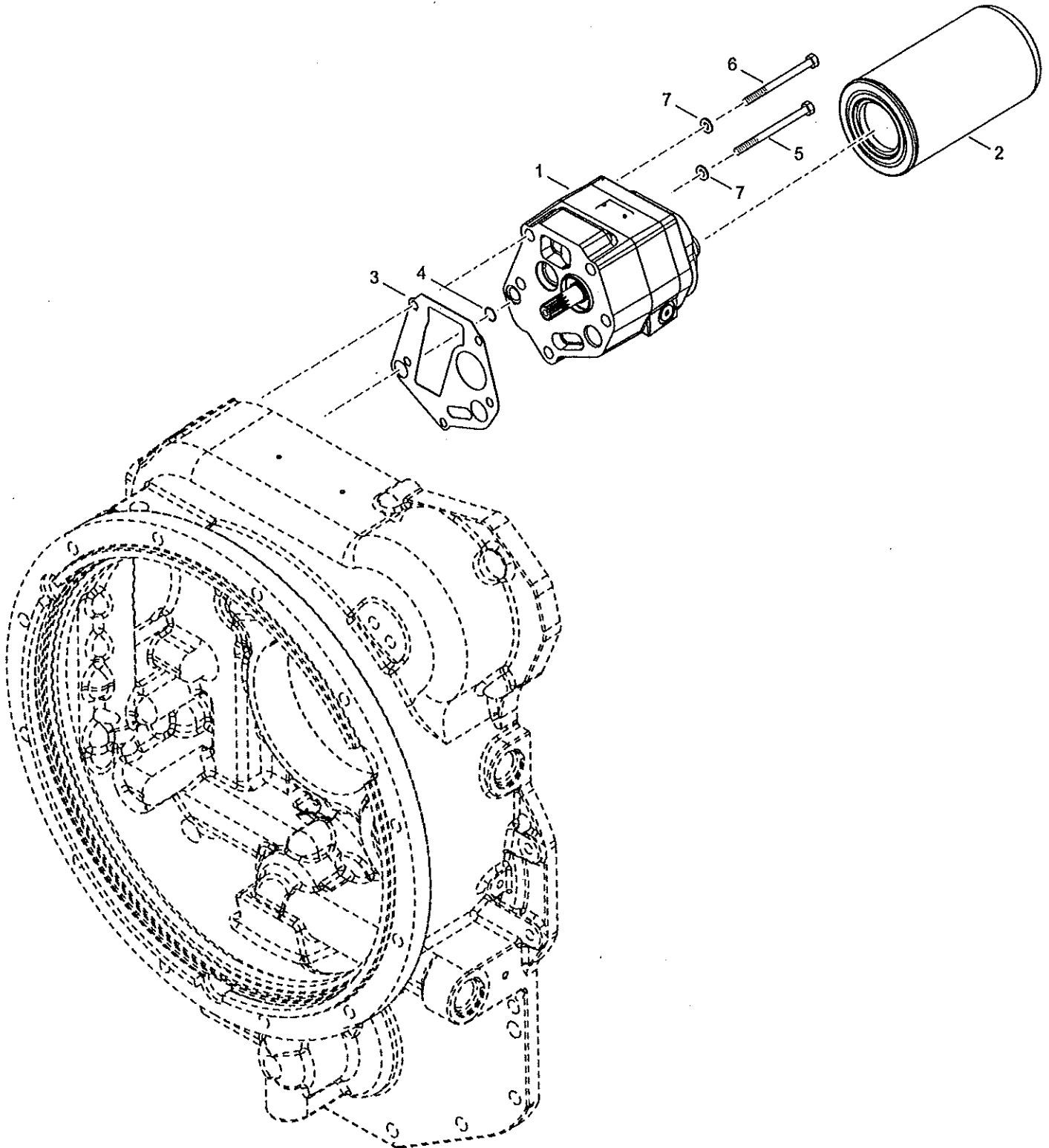
24000
GROUP-OUTPUT SHAFT

<u>Item</u>	<u>Qty</u>	<u>Part Number</u>	<u>%</u>	<u>Description</u>
23				GEAR-OUTPUT - SEE GEAR GROUP
24				FLANGE-OUTPUT FRONT - SEE FRONT PAGE
25				FLANGE-OUTPUT REAR - SEE FRONT PAGE

N.S.S. - Not Sold Separately
N.I. - Not Illustrated
% - Part Stock Recommendation

TE10

CHARGING PUMP & FILTER ASSY GROUP



Date : 07-APR-11
Revised : B
MODEL : 4502976

24000
GROUP-CHARGING PUMP FILTER

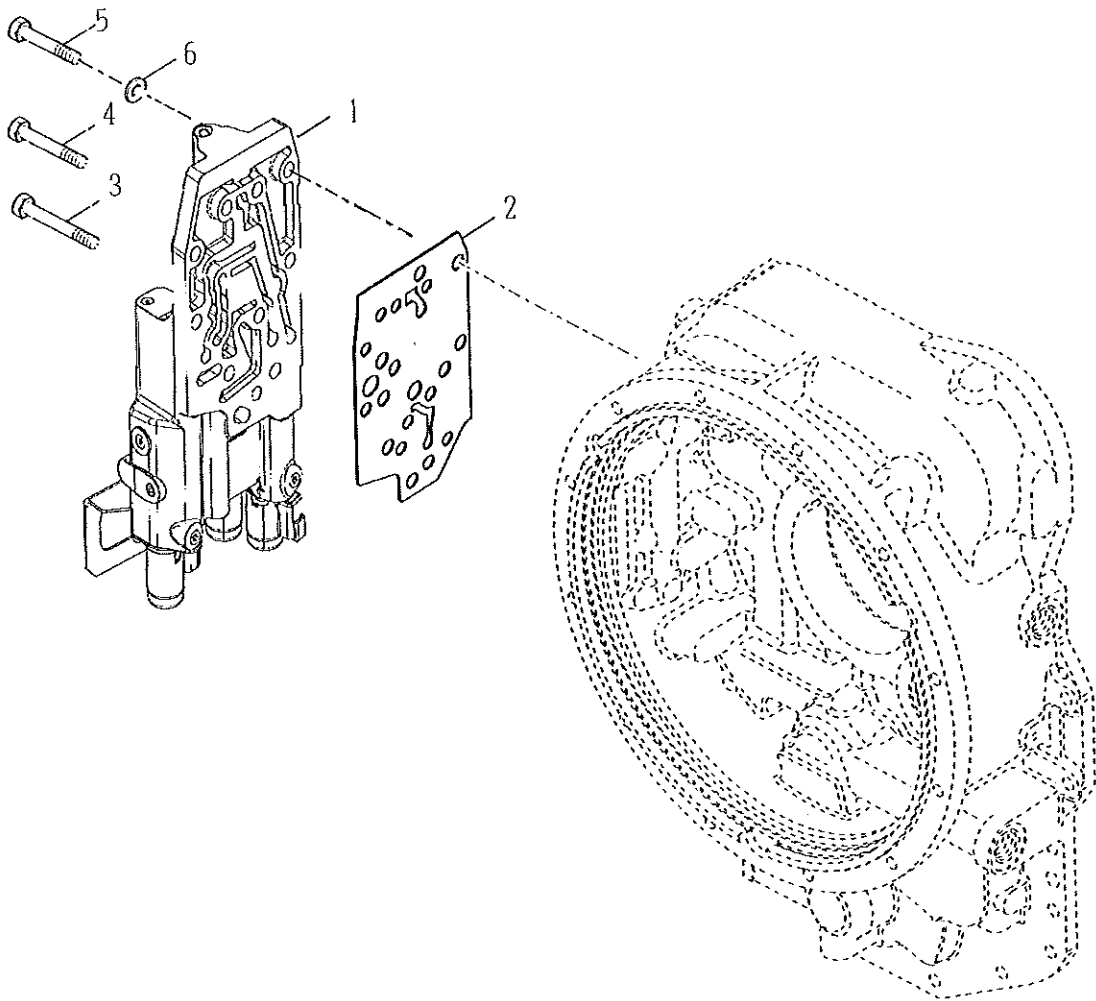
<u>Item</u>	<u>Qty</u>	<u>Part Number</u>	<u>%</u>	<u>Description</u>
1	1	4215637	E	ASSY-CHARGING PUMP
2	1	247052	D	ASSEMBLY-OIL FILTER
3	1	235283	B	GASKET-PUMP ASSEMBLY TO CONVERTER HOUSING
4	1	60K30018	B	O RING
5	4	1C776		SCREW-PUMP MOUNTING
6	1	1C782		SCREW-PUMP MOUNTING
7	5	4E7		LOCKWASHER-PUMP MOUNTING SCREW

N.S.S. - Not Sold Separately
N.I. - Not Illustrated
% - Part Stock Recommendation

T20000

GROUP-VALVE 3 SPD

W/O INCHING, W/O DECLUTCH AND W/O MODULATION



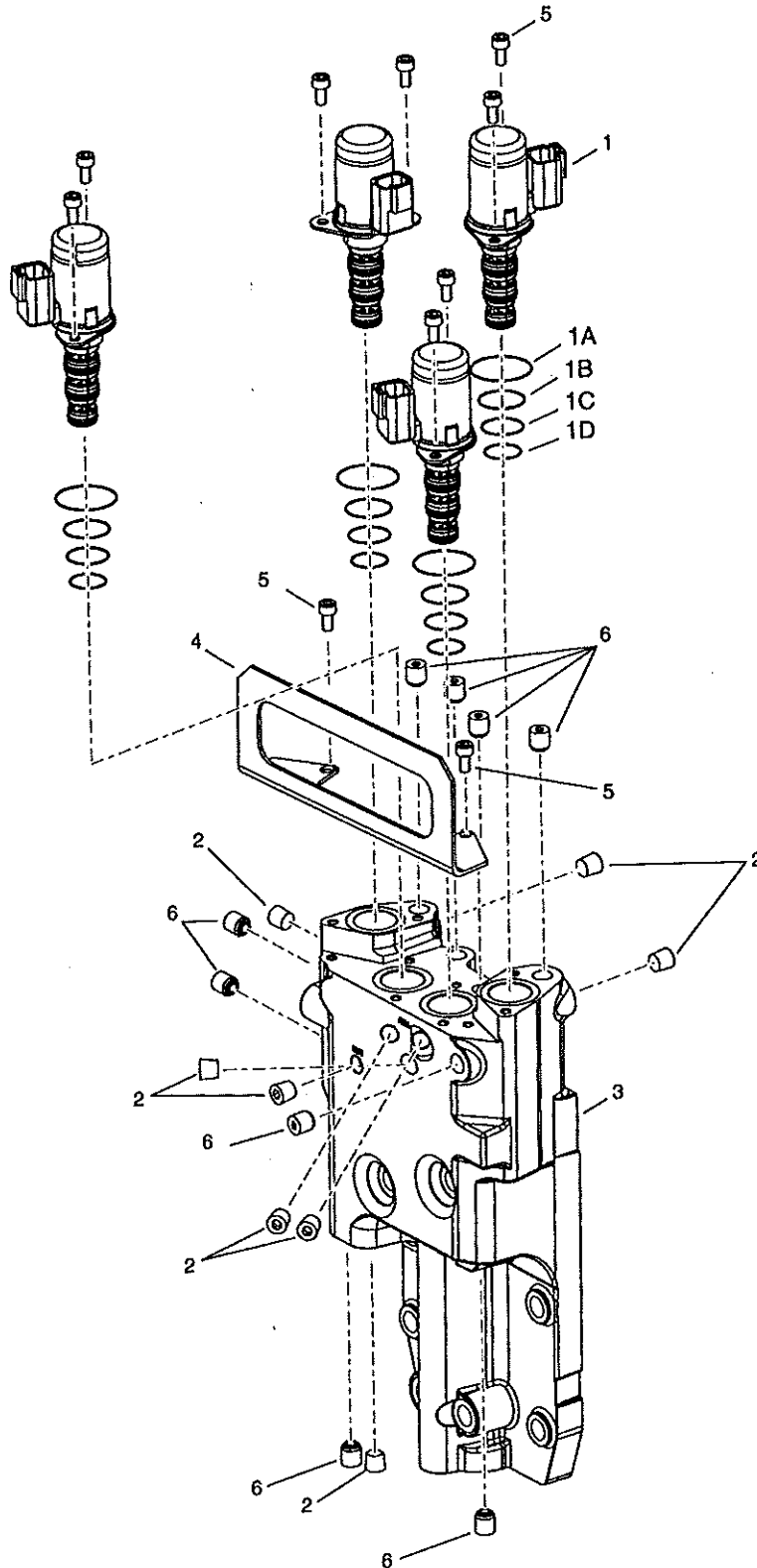
Date : 07-APR-11
Revised : A
MODEL : 4504027

T20000
GROUP-VALVE 3 SPEED

<u>Item</u>	<u>Qty</u>	<u>Part Number</u>	<u>%</u>	<u>Description</u>	
1	1	4211199	E	ASSY-VALVE - DEUTSCH 24V order partnumber 4211199 to service body plug expansions are part of assembly 4211199	
2	1	4211196	B	GASKET	
3	4	1C624		CAPSCREW	
4	3	1C636		CAPSCREW	
5	2	1C648		CAPSCREW	
6	9	4E6		LOCKWASHER	
	1	4213159		SHIPPING COVER DROPIN SOLENOIDS	N. I.

N.S.S. - Not Sold Separately
N.I. - Not Illustrated
% - Part Stock Recommendation

T20000 ASSY-VALVE 3SP W/O INCHING & W/O DECLUTCH



Date : 07-APR-11
Revised :
MODEL : 4211199

T20000
ASSY-VALVE - DEUTSCH 24V

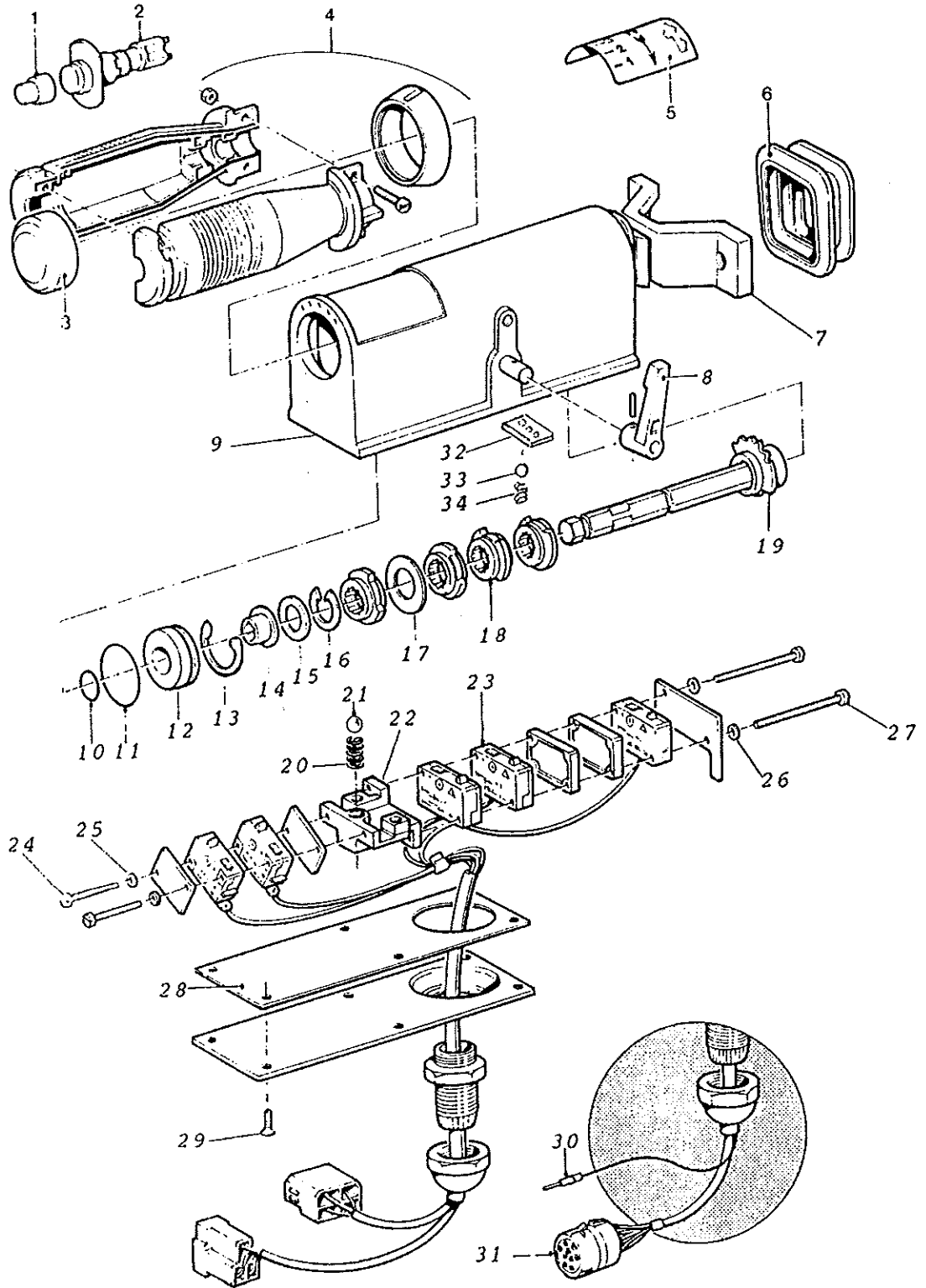
<u>Item</u>	<u>Qty</u>	<u>Part Number</u>	<u>%</u>	<u>Description</u>
1	4	4211145	D	SOLENOID-DEUTSCH 24V-INCL.ITEMS 1A,1B,1C & 1D
1A	4	4210660	B	O-RING 21.5X1.5 MM VITON - PART OF ITEM 1
1B	4	4210661	B	O-RING 15.1X1.60 MM VITON - PART OF ITEM 1
1C	4	4210662	B	O-RING 14.1X1.60 MM VITON - PART OF ITEM 1
1D	4	4210663	B	O-RING 12.1X1.60 MM VITON - PART OF ITEM 1
2	8	239244		PLUG
3	1	N.S.S.		BODY order partnumber 4211199 to service body
4	1	4211435	D	COVER-SOLENOID
5	10	1GM510		CAPSCREW M5X10
6	9	N.S.S.		PLUG-EXPANSION DIA 10 plug expansions are part of assembly 4211199

N.S.S. - Not Sold Separately
N.I. - Not Illustrated
% - Part Stock Recommendation



SPICER OFF-HIGHWAY

ELECTRIC CAB CONTROL GRIP TYPE



Date : 07-APR-11
Revised :
MODEL : 4200673

GRIP TYPE CAB CONTROL

<u>Item</u>	<u>Qty</u>	<u>Part Number</u>	<u>%</u>	<u>Description</u>
1				Not Used On This Model
2				Not Used On This Model
3	1	4200825		CAP-HANDGRIP
4	1	4200962		ASSY-HANDGRIP
5	1	4200951		STICKER-SHIFT IDENT
6	1	4200950		GAITER-RUBBER
7	1	4202868		CLAMP
8	1	4200949		LEVER-NEUTRAL LOCK
9	1	4202867		HOUSING
10				Not Used On This Model
11				Not Used On This Model
12	1	4202990		CAP
13	1	4202989		RING
14	1	4202988		SPACER
15	1	4202987		WASHER
16	1	4202986		RING
17	1	4202985		WASHER
18	4	4200965		CAM
19	1	4202983		SHAFT
20	1	4201607		SPRING
21	1	19JM60		BALL
22	1	4202998		BLOCK
23	5	4200948		MICROSWITCH
24	2	4202994		SCREW
25	2	4202995		WASHER

N.S.S. - Not Sold Separately
N.I. - Not Illustrated
% - Part Stock Recommendation

Date : 07-APR-11
Revised :
MODEL : 4200673

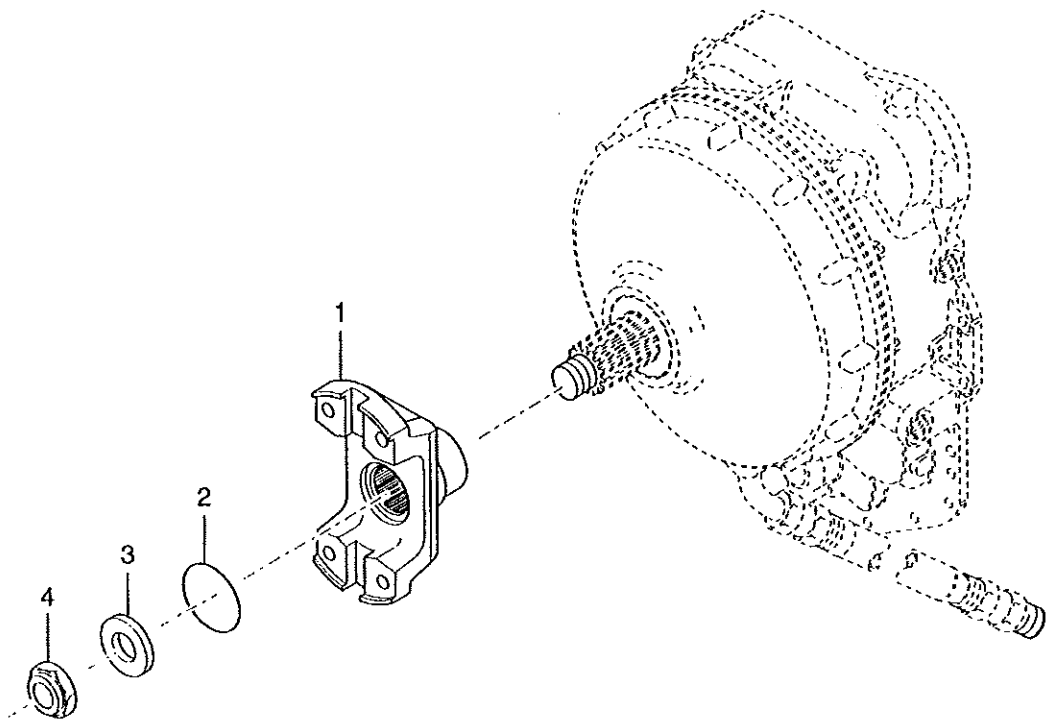
GRIP TYPE CAB CONTROL

<u>Item</u>	<u>Qty</u>	<u>Part Number</u>	<u>%</u>	<u>Description</u>
26	2	4202995		WASHER
27	2	4202993		SCREW
28	1	4200961	B	GASKET
29	6	4202997		SCREW
30				Not Used On This Model
31				Not Used On This Model
32	1	4203001		PLATE-FWD & REV
33	1	4203000		BALL-FWD & REV
34	1	4202999		SPRING-FWD & REV

N.S.S. - Not Sold Separately
N.I. - Not Illustrated
% - Part Stock Recommendation

T20000

INPUT FLANGE GROUP



Date : 07-APR-11
Revised :
MODEL : 4506290

24000
GROUP-FLANGE 1550M 14T

<u>Item</u>	<u>Qty</u>	<u>Part Number</u>	<u>%</u>	<u>Description</u>
1	1	4200109	E	FLANGE OUTPUT (1550)
2	1	76K325	B	O-RING
3	1	222179		NUT-WASHER
4	1	222960	C	NUT-FLANGE

N.S.S. - Not Sold Separately
N.I. - Not Illustrated
% - Part Stock Recommendation

Model: 24000

KIT-GASKET AND SEALING FOR 3,4 AND 6 SPD LD
 -HR AND LMHR VERSION- CONVERTER AND TRANSMISSION SECTION
 WITH STEEL TORQUE CONVERTER

QTY SHOWN IS TO MAKE ONE OF THE NEXT HIGHER ASSEMBLY

REV	P	PART NUMBER	QTY	S/E	PARTNAME AND APPLICATION
		219373	2		GASKET
		223085	1		RING-PISTON
		225823	1		SEAL-OIL
		230918	1		IDLER SHAFT REAR BEARING CAP GASKET
		230954	2		SEAL-OIL
		234113	6		SEAL-CLUTCH PISTON OUTER
		234643	2		SEAL-PUMP SHAFT
		234650	2		SEAL-OIL
		235283	1		GASKET-PUMP ASSEMBLY TO CONVERTER HOUSING
		237032	6		SEAL-CLUTCH PISTON INNER
		241279	1		GASKET-CONV. HSG. TO TRANSM CASE
		241893	1		SEAL-OIL
		242651	4		RING-PISTON
		242685	1		GASKET-REAR BEARING CAP
		243045	1		GASKET-FILTER ADAPTOR
		249124	1		SPRING-PISTO RING EXPANDER
		245772	1		RING-PISTON
		243052	1		SEAL-OIL
		247614	1		GASKET-CONTROL VALVE TO MODULATION VALVE
		247615	1		GASKET-MODULATION VALVE TO CONV. HSG.
		248006	1		GASKET-MODULATION HSG TO CONV. HSG.
		248047	1		GASKET-SHUTTLE VALVE TO ELECTRIC CONTROL
		249158	1		RING-PISTON SEAL
		250215	1		RING-PISTON
		4204710	1		SEAL-OIL
		4205272	1		GASKET-SHIPPING COVER
		4208098	6		RING-PISTON

Ltr :
 Date:
 ECN :

Issued : sv

Rel : sv
 Date: 06-MAR-09
 ERN : SERVICE

Model: 24000

KIT-GASKET AND SEALING FOR 3,4 AND 6 SPD LD
 -HR AND LMHR VERSION- CONVERTER AND TRANSMISSION SECTION
 WITH STEEL TORQUE CONVERTER

QTY SHOWN IS TO MAKE ONE OF THE NEXT HIGHER ASSEMBLY

REV	P	PART NUMBER	QTY	S/E	PARTNAME AND APPLICATION
		4209656	1		SEAL-OIL
		4210660	5		O-RING
		4210661	5		O-RING
		4210662	5		O-RING
		4210663	5		O-RING
		4211009	1		GASKET
		4215354	1		O RING
		60K30012	2		O-RING
		60K30016	1		O-RING
		60K30018	2		O-RING
		60K30020	2		O-RING
		60K30026	1		O-RING
		60K30022	1		O-RING
		60K30110	1		O-RING
		60K40026	7		O-RING
		60K40104	1		O-RING
		60K30120	1		O-RING
		60K40400	2		O-RING
		60K40412	2		O-RING
		60K40428	1		O-RING
		60K60116	2		O-RING
		76K223	1		O-RING
		91F7	4		O-RING
		60K40120	2		O-RING
		241894	1		SEAL-OIL
		91F8	1		O-RING
		60K40908	1		O-RING

Ltr :
 Date:
 ECN :

Issued : sv

Rel : sv
 Date: 06-MAR-09
 ERN : SERVICE

31-MAR-11

ENGINEERING PARTS LIST

Nr: 8100348

Model: 24000

KIT-GASKET AND SEALING FOR 3,4 AND 6 SPD LD
-HR AND LMHR VERSION- CONVERTER AND TRANSMISSION SECTION
WITH STEEL TORQUE CONVERTER

QTY SHOWN IS TO MAKE ONE OF THE NEXT HIGHER ASSEMBLY

REV	P	PART NUMBER	QTY	S/E	PARTNAME AND APPLICATION
		60K40120	2		O-RING
		239892	1		SEAL-OIL
		60K40200	1		O-RING
		4200704	1		GASKET - LOW SPEED DRIVE BEARING CAP
		248006	1		GASKET-MODULATION HSG TO CONV. HSG.
		243915	1		GASKET-PUMP ADAPTOR
		231798	1		SEAL-OIL
		232125	1		CONVERTER HOUSING FRONT COVER GASKET
		60K40520	2		O-RING

Ltr :
Date:
ECN :

Issued : sv

Rel : sv
Date: 06-MAR-09
ERN : SERVICE



Part Stocking Recommendation

The table below is a minimum spare parts inventory recommendation designated by letter code in each Service Parts List. Each letter code indicates a percentage for determining stock quantities to support the field population. Any quantity less than 1 or partial quantities need not be stocked.

Letter Code	Percentage	Example
A	15%	Part quantity = 10 per unit Field Population = 240 units Recommended stock = 240 units x 10 per unit x .15 = 360 parts
B	10%	Part quantity = 4 per unit Field Population = 66 units Recommended stock = 66 units x 4 per unit x .10 = 26.4 or 26 parts
C	6%	Part quantity = 2 per unit Field Population = 203 units Recommended stock = 203 units x 2 per unit x .06 = 24.4 or 24 parts
D	4%	Part quantity = AR* Field Population = 42 units Recommended stock = 42 units x 3 per unit x .04 = 5.04 or 5 parts
E	2%	Part quantity = 1 per unit Field Population = 75 units Recommended stock = 75 units x 1 per unit x .02 = 1.5 or 1 part
*Part quantities denoted by "AR" (as required) should be ordered by a quantity of 3 per unit.		

© Copyright 2013 Dana Holding Corporation
All content is subject to copyright by Dana and may not
be reproduced in whole or in part by any means,
electronic or otherwise, without prior written approval.
THIS INFORMATION IS NOT INTENDED FOR SALE OR
RESALE, AND THIS NOTICE MUST REMAIN ON ALL
COPIES.

For product inquiries or support,
visit www.dana.com or call 419-887-6445
For other service publications,
visit www.SpicerParts.com/literature.asp
For online service parts ordering,
visit www.SpicerParts.com/order.asp



SPICER®

Off-Highway Products