



SPICER®

Off-Highway Products

Service Parts List

Transmission
13.5MHR32369-638
4266434

TPL-2516
June 2015



MODEL NO. 13.5MHR32369-638

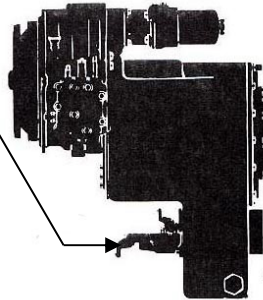
PART NO. 4266434

DATE 30/06/2015

FRONT OUTPUT FLANGE

- FLANGE 4200031
- NUT 215634
- WASHER 231916
- O-RING 76K328

**HR-28000
HR-32000**



BI-DIRECTIONAL P.T.O. FLANGE

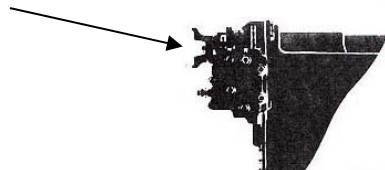
- FLANGE
- NUT
- WASHER
- O-RING

UNI-DIRECTIONAL P.T.O. FLANGE

- FLANGE
- NUT
- WASHER
- O-RING

INPUT FLANGE

- FLANGE
- NUT
- WASHER
- O-RING



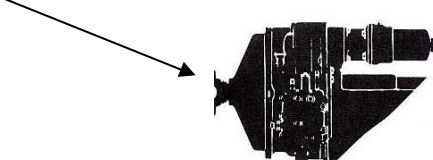
**R-28000
R-32000**

REAR OUTPUT FLANGE

- FLANGE 4200031
- NUT 215634
- WASHER 231916
- O-RING 76K328

INPUT FLANGE

- FLANGE 4200030
- NUT 222960
- WASHER 222179
- O-RING 25K60116



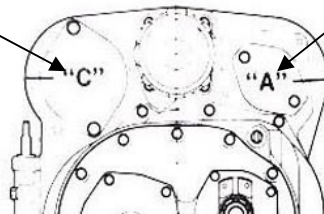
**MHR-28000
MHR-32000**

C

PUMP DRIVE ASS'Y
(includes the following)
SNAP RING (INNER)

SNAP RING (OUTER)

CHARGING PUMP



A

PUMP DRIVE ASS'Y
(includes the following)
SNAP RING (INNER)

SNAP RING (OUTER)

PUMP DRIVE SLEEVE POSITION

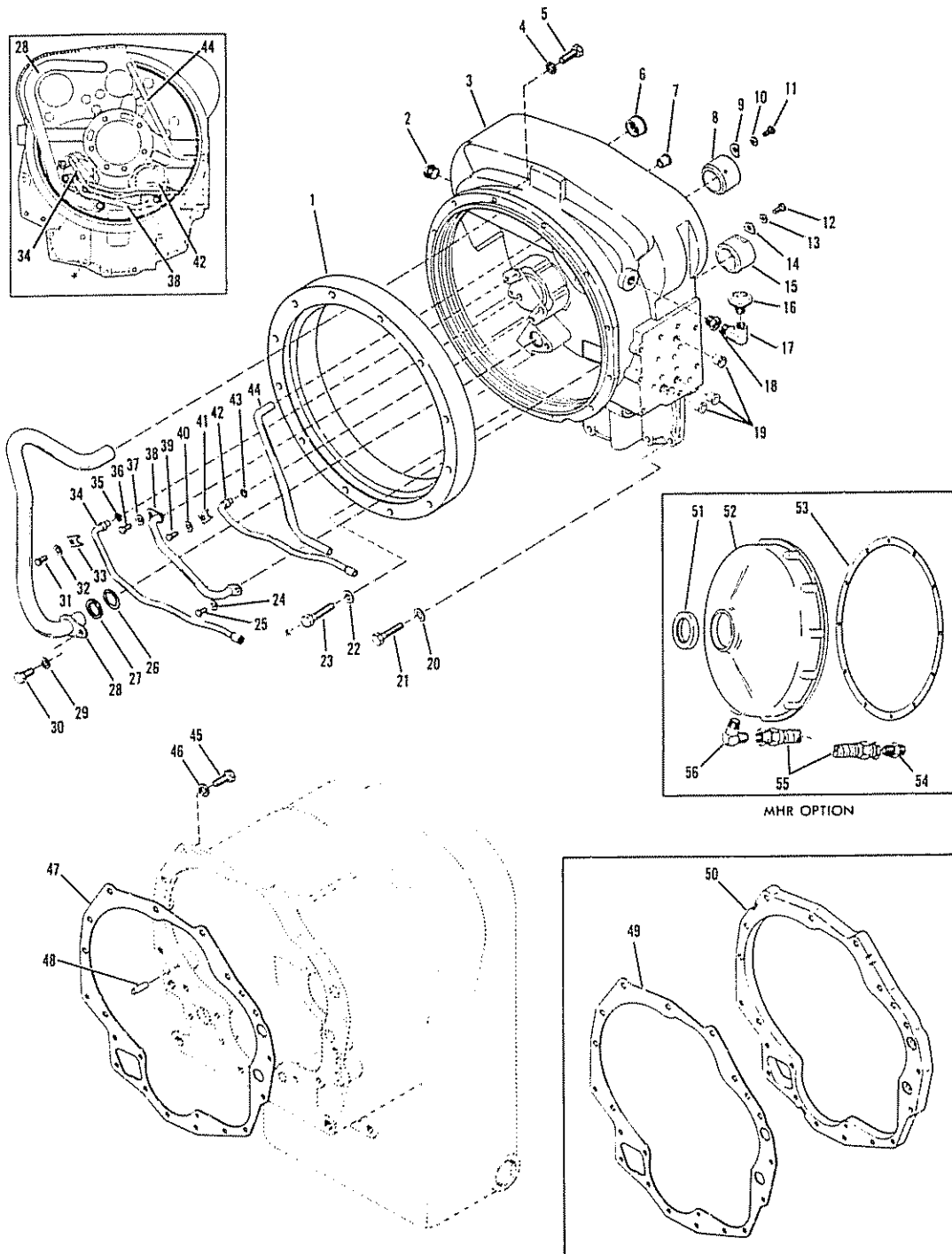
Date : 26-JUN-15
Revised :
MODEL : 4266434

13.5MHR32369-638
ASSEMBLY-TRANSMISSION FOR NORMET OY

<u>Item</u>	<u>Qty</u>	<u>Part Number</u>	<u>Description</u>	
1	1	248196	GEAR-TURBINE SHAFT 25T SEE ITEM 16 OF GROUP-TURBINE SHAFT	
2	1	239927	GEAR-OUTPUT 38T SEE ITEM 28 OF GROUP-OUTPUT SHAFT	
3	1	231878	CAP-REAR BRG SEE ITEM 27 OF GROUP-OUTPUT SHAFT	
4	1	239657	ASSEMBLY-HOSE SEE ITEM 55 OF GROUP-CONVERTER HOUSING	
	1	4221163	VISUAL INDICATOR	N.I.

N.S.S. - Not Sold Separately
N.I. - Not Illustrated

32000 CONVERTER HOUSING GROUP



MHR OPTION

CONVERTER HOUSING TO TRANSMISSION
CASE SPACER USED ONLY WITH 12
PLATE CLUTCH PACK ASSEMBLY

Date : 26-JUN-15
Revised : C
MODEL : 269702

32000
GROUP-CONVERTER HOUSING

<u>Item</u>	<u>Qty</u>	<u>Part Number</u>	<u>Description</u>	
1			Not Used On This Model	
2	1	11F12	PLUG-PIPE	
3	1	250856	ASSY-CONV.HOUSING & TUBE including items 6 thru 15, 19, 24, 25, 26 thru 44	
4	12	4E6	LOCKWASHER-CONV HSG TO COVER SCREW	
5	7	1C636	SCREW-CONV HSG TO COVER	
A	5	62D6	NUT-CONV HSG TO COVER SCREW	N.I.
B	5	235050	STUD-CONV HSG TO COVER	N.I.
6			Not Used On This Model	
7	1	222067	SLEEVE-PRESSURE & LUBRICATION TUBE	
8	1	237576	SLEEVE-CONVERTER HOUSING	
9	1	230851	WASHER	
10	1	4E5	LOCKWASHER	
11	1	1C510	CAPSCREW	
12	1	1C510	CAPSCREW	
13	1	4E5	LOCKWASHER	
14	1	230851	WASHER	
15	1	237576	SLEEVE-CONVERTER HOUSING	
16	1	238535	BREATHER-AIR	
17	1	26F3	ST. ELL-BREATHER	
18	1	19F8	BUSHING-REDUCING	
19	3	222067	SLEEVE-PRESSURE & LUBRICATION TUBE	
20	4	4E7	LOCKWASHER-PUMP MOUNTING SCREW	
21	4	17C728	SCREW-CONV HSG TO TRANS CASE	
22	4	4E7	LOCKWASHER-PUMP MOUNTING SCREW	

N.S.S. - Not Sold Separately
N.I. - Not Illustrated

Date : 26-JUN-15
Revised : C
MODEL : 269702

32000
GROUP-CONVERTER HOUSING

<u>Item</u>	<u>Qty</u>	<u>Part Number</u>	<u>Description</u>
23	4	17C744	SCREW-CONV HSG TO TRANS CASE
24	1	4E5	LOCKWASHER
25	1	1C508	CAPSCREW
26	1	25K40102	O-RING
27			Not Used On This Model
28	1	250851	ASSY-SUCTION TUBE
28A	2	250864	CLIP-SUCTION TUBE
29	2	4E6	LOCKWASHER
30	1	1C612	CAPSCREW
31	1	1C510	CAPSCREW
32	1	4E5	LOCKWASHER
33	1	231048	TUBE CLIP
34	1	231094	ASSY-REVERSE TUBE
35	1	25K30012	O RING
36	1	1C508	CAPSCREW
37	1	4E5	LOCKWASHER
38	1	231093	ASSY-LUBE TUBE
39	1	1C510	CAPSCREW
40	1	4E5	LOCKWASHER
41	1	231048	TUBE CLIP
42	1	231095	TUBE-3RD SPEED
43	1	25K30012	O RING
44	1	250232	TUBE
45	10	17C720	SCREW-CONV HSG TO TRANS CASE
46	10	4E7	LOCKWASHER-PUMP MOUNTING SCREW

N.S.S. - Not Sold Separately
N.I. - Not Illustrated

Date : 26-JUN-15
Revised : C
MODEL : 269702

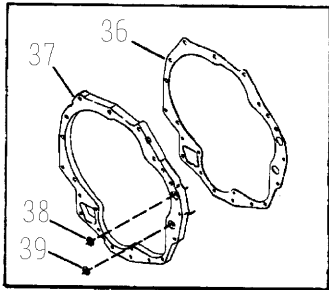
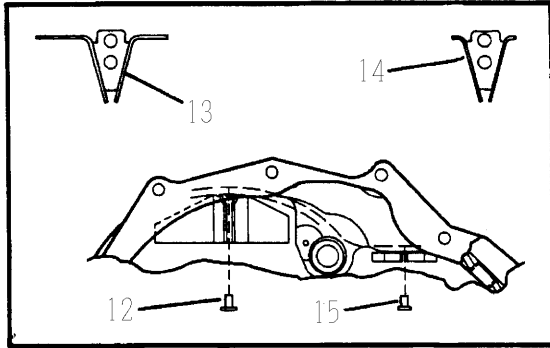
32000
GROUP-CONVERTER HOUSING

<u>Item</u>	<u>Qty</u>	<u>Part Number</u>	<u>Description</u>	
47	1	231606	GASKET-CONV. HSG TO TRANS CASE	
48	2	214295	PIN-CONV HSG CASE DOWEL	
49			Not Used On This Model	
50			Not Used On This Model	
51	1	230954	SEAL-FRONT COVER OIL	
52	1	237844	COVER-CONV HSG FRONT	
53	1	232125	GSKT-HSG FR COVER ϕ AVL!	
54	1	89F10	FITTING-HOSE	
55			HOSE - SEE SPECIAL PARTS SECTION	
56	1	675469	FITTING-HOSE	
	1	248166	BUSHING-ADJUSTER	N.I.
	1	1KM18	PLUG	N.I.
	AR	248167	SHIM	N.I.
	1	60K30020	SEAL-O RING	N.I.
	1	24K6	PLUG-OIL LUBE RETURN HOLE	N.I.

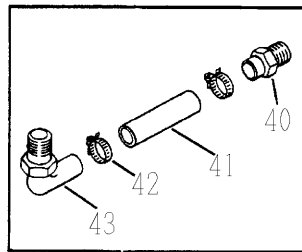
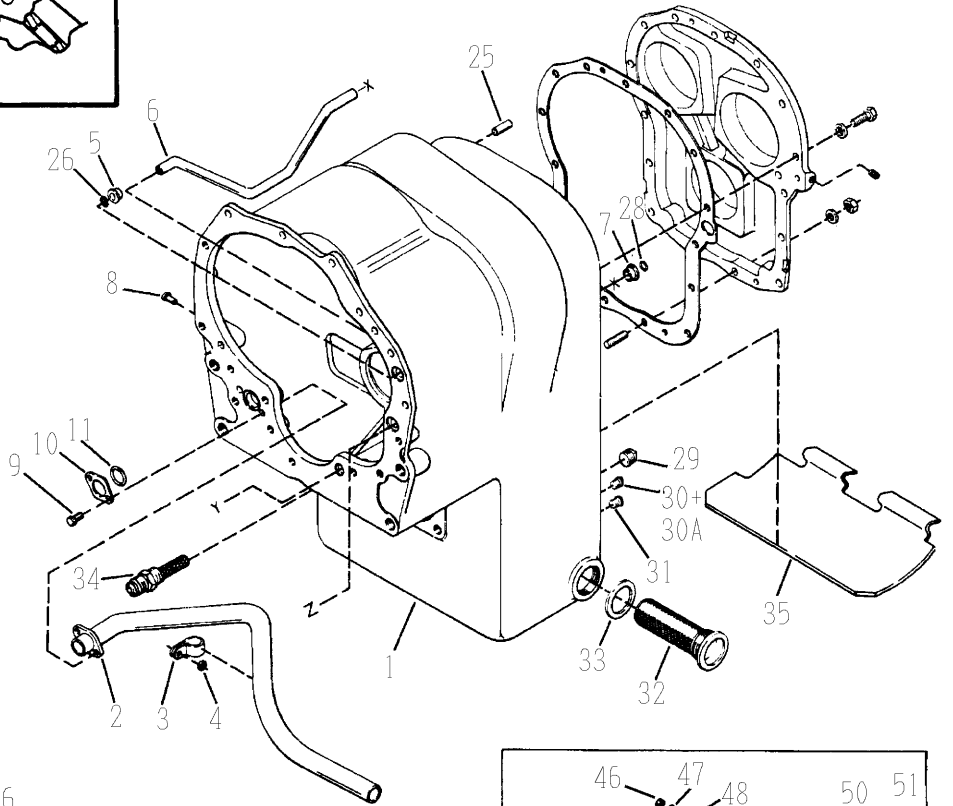
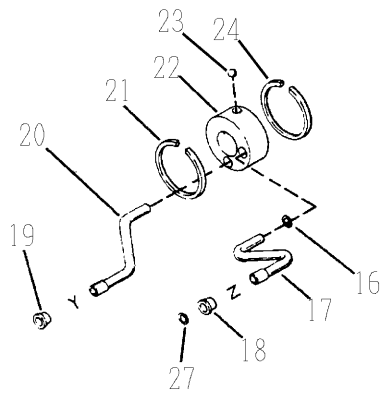
N.S.S. - Not Sold Separately
N.I. - Not Illustrated

32000

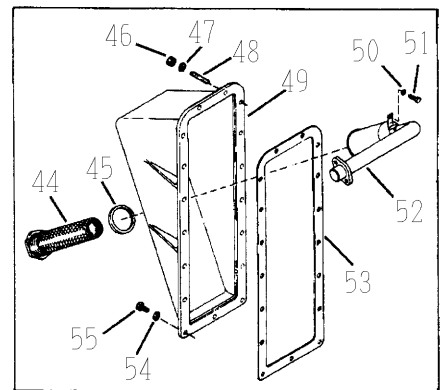
GROUP-TRANSMISSION CASE



CONVERTER HOUSING TO TRANSMISSION
CASE SPACER USED ONLY WITH 12
PLATE CLUTCH PACK ASSEMBLY.



DRAIN BACK HOSE
OPTION



SPECIAL SUMP

GRP32011

Date : 26-JUN-15
Revised :
MODEL : 4506739

32000
GROUP-TRANSMISSION CASE

<u>Item</u>	<u>Qty</u>	<u>Part Number</u>	<u>Description</u>
1	1	251436	ASSY-TRANS CASE-INCLUDING ITEMS 2 THRU 24
2	1	234836	ASSY-SUCTION TUBE - PART OF ITEM 1
3	1	6H36	CLIP-CLOSED - PART OF ITEM 1
4			Not Used On This Model
5	1	222067	SLEEVE-PRESS & LUBR TUBE-PART OF ITEM 1
6	1	230900	TUBE-LOW CLUTCH PRESSURE - PART OF ITEM 1
7	1	222067	SLEEVE-PRESS & LUBR TUBE - PART OF ITEM 1
8	1	249894	RIVET - PART OF ITEM 1
9	2	4C516	CAPSCREW - PART OF ITEM 1
10	1	230921	SUCTION LINE RET WASHER- PART OF ITEM 1
11	1	76K216	O RING - PART OF ITEM 1
12	2	249894	RIVET - PART OF ITEM 1
13	1	247884	OIL BAFFLE - PART OF ITEM 1
14	1	247885	OIL BAFFLE - PART OF ITEM 1
15	2	249894	RIVET - PART OF ITEM 1
16			Not Used On This Model
17			Not Used On This Model
18			Not Used On This Model
19			Not Used On This Model
20			Not Used On This Model
21			Not Used On This Model
22			Not Used On This Model
23			Not Used On This Model
24			Not Used On This Model
25	2	214118	DOWEL PIN

N.S.S. - Not Sold Separately
N.I. - Not Illustrated

Date : 26-JUN-15
Revised :
MODEL : 4506739

32000
GROUP-TRANSMISSION CASE

<u>Item</u>	<u>Qty</u>	<u>Part Number</u>	<u>Description</u>
26	1	60K40026	O RING
27	1	60K40026	O RING
28	1	60K40026	O RING
29	1	215757	PLUG-MAGNETIC
30	1	40K4	PLUG-OIL LEVEL/PLUG-LOCKUP PORT
30A	1	40K4	PLUG-OIL LEVEL/PLUG-LOCKUP PORT
31	1	40K4	PLUG-OIL LEVEL/PLUG-LOCKUP PORT
32	1	231390	ASSY-SUCTION SCREEN
33	1	219373	GASKET
34	1	12F12	PLUG-EXPANSION
35	1	NOTE	BAFFLE OIL - SEE FRONT PAGE IF NEEDED
36			Not Used On This Model
37			Not Used On This Model
38			Not Used On This Model
39			Not Used On This Model
40			Not Used On This Model
41			Not Used On This Model
42			Not Used On This Model
43			Not Used On This Model
44			Not Used On This Model
45			Not Used On This Model
46			Not Used On This Model
47			Not Used On This Model
48			Not Used On This Model
49			Not Used On This Model

N.S.S. - Not Sold Separately
N.I. - Not Illustrated

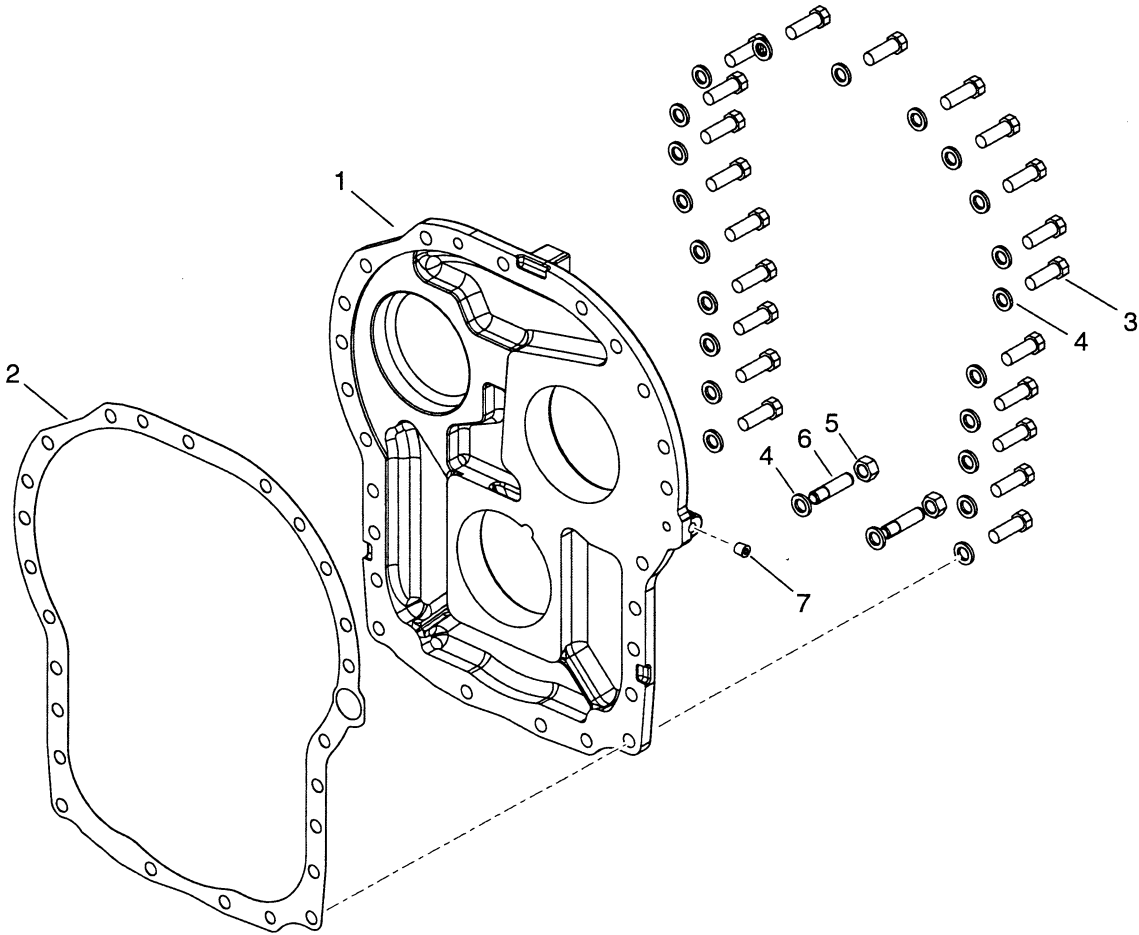
Date : 26-JUN-15
Revised :
MODEL : 4506739

32000
GROUP-TRANSMISSION CASE

<u>Item</u>	<u>Qty</u>	<u>Part Number</u>	<u>Description</u>	
50			Not Used On This Model	
51			Not Used On This Model	
52			Not Used On This Model	
53			Not Used On This Model	
54			Not Used On This Model	
55			Not Used On This Model	
	1	40K4	PLUG-OIL LEVEL/PLUG-LOCKUP PORT	N.I.
	2	10F16	PIPE PLUG	N.I.
	1	248166	BUSHING-SENSOR	N.I.
AR		248167	WASHER-SHIM	N.I.
	1	1KM18	PLUG-SCREW TYPE	N.I.
	1	60K30020	O RING	N.I.
	1	251380	PLUG-RANGE SHIFT BORE	N.I.
	1	16F2	PIPE PLUG	N.I.

N.S.S. - Not Sold Separately
N.I. - Not Illustrated

TE15
GROUP-REAR COVER



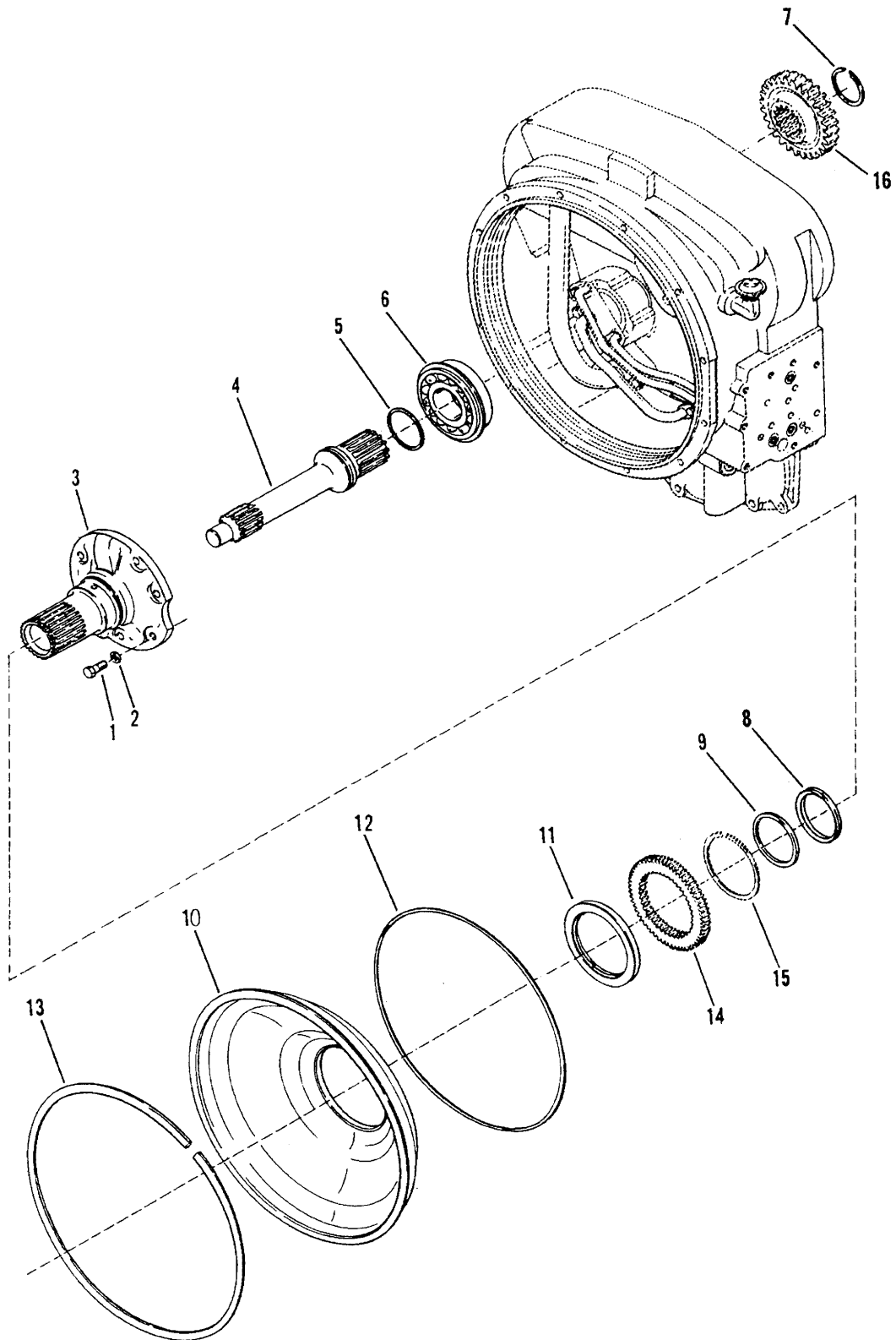
Date : 26-JUN-15
Revised :
MODEL : 269765

32000
GROUP-REAR COVER

<u>Item</u>	<u>Qty</u>	<u>Part Number</u>	<u>Description</u>
1	1	251425	COVER-REAR
2	1	242408	GASKET-REAR COVER TO TRANSMISSION CASE
3	21	17C720	CAPSCREW
4	23	4E7	LOCKWASHER-PUMP MOUNTING SCREW
5	2	64D7	NUT
6	2	200991	STUD
7	1	239244	PLUG

N.S.S. - Not Sold Separately
N.I. - Not Illustrated

32000
GROUP-TURBINE SHAFT



GRP32041

Date : 26-JUN-15
Revised : C
MODEL : 266695

32000
GROUP-TURBINE SHAFT

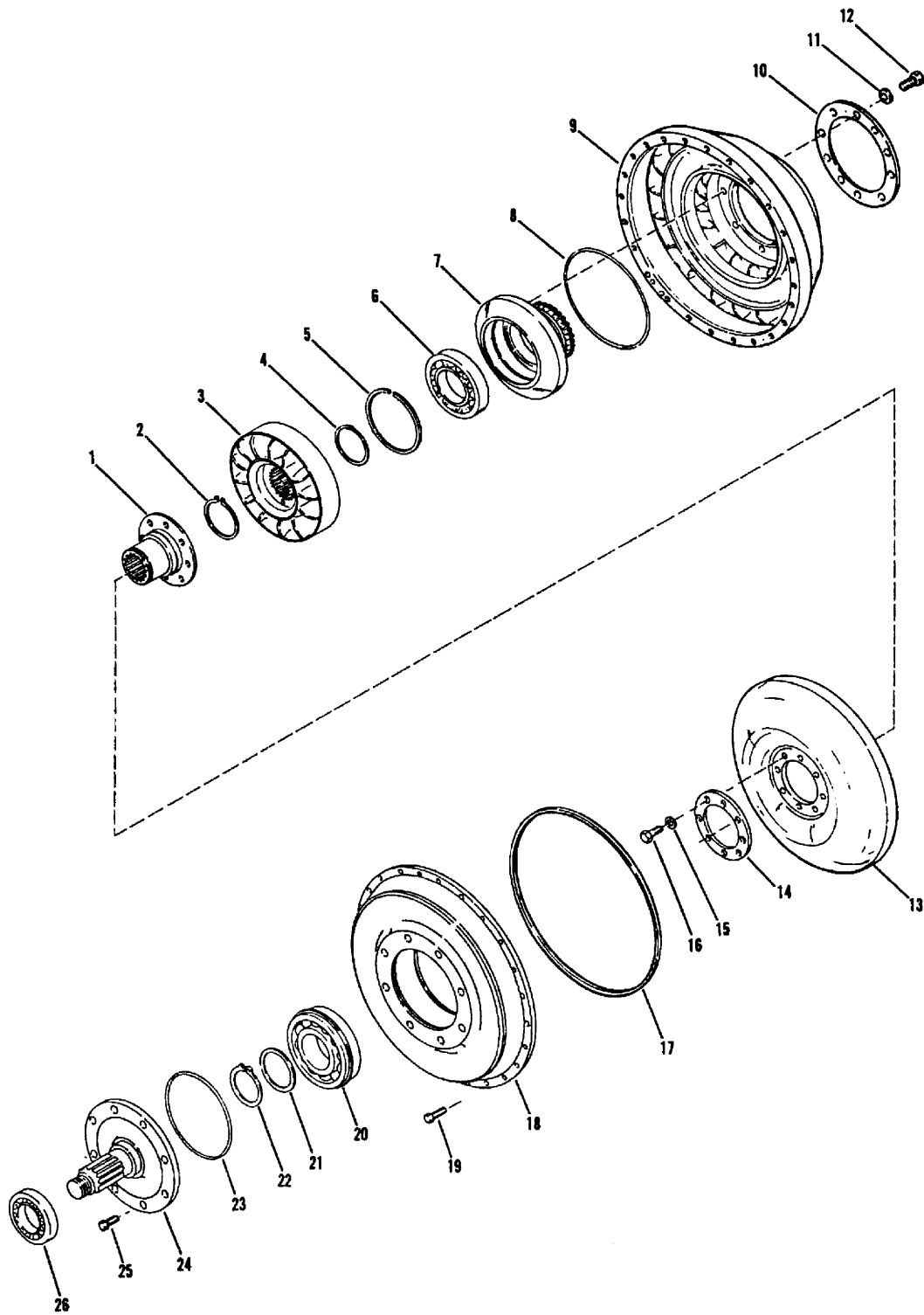
<u>Item</u>	<u>Qty</u>	<u>Part Number</u>	<u>Description</u>
1	6	1C820	CAPSCREW
2	6	6E8	LOCKWASHER
3	1	237237	ASSY-STATOR SUPPORT SLEEVE
4	1	240231	SHAFT-TURBINE
5	1	250089	RING-PISTON
6	1	225842	BEARING
7	1	224026	SNAP RING
8	1	250088	RING-PISTON
9			Not Used On This Model
10	1	230810	OIL BAFFLE
11			Not Used On This Model
12	1	231458	SEALING-RING CONVERTER HOUSING
13	1	245787	SNAPRING
14		NOTE	GEAR-IMPELLER HUB SEE PUMP DRIVE GROUP FOR GEAR-IMPELLER HUB NUMBER
15		NOTE	SNAPRING-IMPELLER HUB GEAR SEE PUMP DRIVE GROUP FOR SNAPRING-IMPELLER HUB GEAR PARTNUMBER
16		NOTE	GEAR-TURBINE SHAFT-SEE FRONT PAGE FOR NUMBER

N.S.S. - Not Sold Separately
N.I. - Not Illustrated



SPICER OFF-HIGHWAY PRODUCTS DIVISION

32000 WHEEL GROUP
MHR



GRP32053

Date : 26-JUN-15
Revised : D
MODEL : 266553

32000
GROUP-WHEEL 13.5"

<u>Item</u>	<u>Qty</u>	<u>Part Number</u>	<u>Description</u>
1	1	242540	HUB-TURBINE
2	1	243262	SNAP RING-REACTION MEMBER 5100-231
3	1	239644	MEMBER-REACTION COLOR CODED YELLOW 14 BLADES
4	1	229566	SPACER-REACTION MEMBER
5	1	238705	SNAP RING-BEARING 5000-500
6	1	239743	BEARING-IMPELLER HUB 312S-T14
7	1	237232	HUB-IMPELLER
8	1	60K40624	"O" RING-IMPELLER HUB
9	1	239643	IMPELLER COLOR CODED YELLOW 30 BLADES
10	1	237234	RING-IMPELLER HUB SCREW BACKING
11			Not Used On This Model
12	12	237233	SCREW-HUB TO IMPELLER
13	1	219297	TURBINE COLOR CODED YELLOW 31 BLADES
14	1	242045	RING-TURBINE HUB SCREW BACKING
15			Not Used On This Model
16	8	18C612	CAPSCREW
17	1	232535	RING-IMPLR TO COVER SEALING SQUARE SECTION
18	1	245774	COVER-IMPELLER
19A	24	4E6	LOCKWASHER-IMPELLER TO COVER
19	24	1C618	SCREW-IMPELLER TO COVER
20	1	240232	BEARING-IMPELLER COVER 312SG-T14
21	1	232442	WASHER-BEARING
22	1	243251	SNAP RING-BEARING 5100-237
23	1	60K40512	"O" RING-SHAFT TO IMPELLER COVER
24	1	245777	SHAFT-INPUT

N.S.S. - Not Sold Separately
N.I. - Not Illustrated

Date : 26-JUN-15
Revised : D
MODEL : 266553

32000
GROUP-WHEEL 13.5"

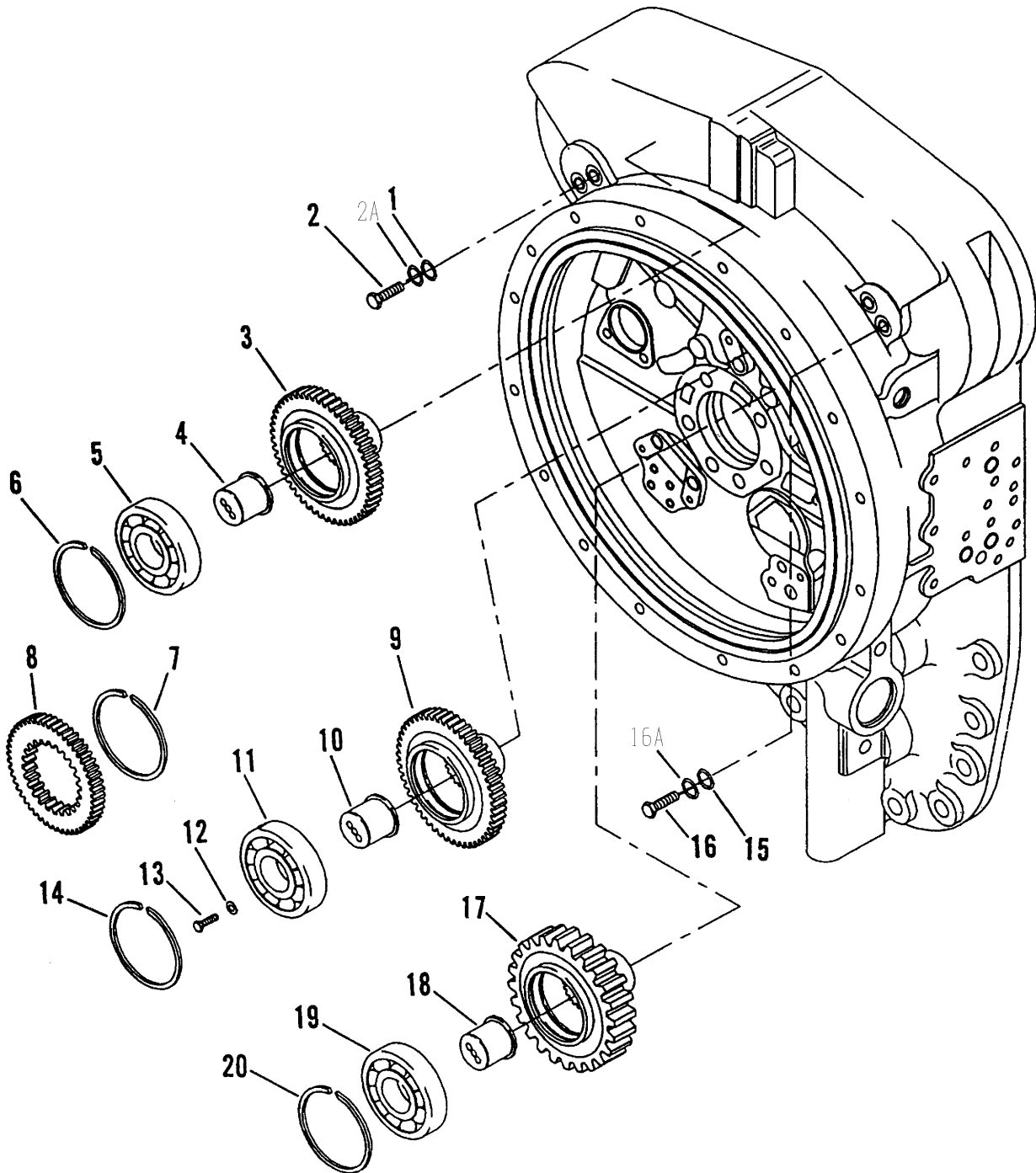
<u>Item</u>	<u>Qty</u>	<u>Part Number</u>	<u>Description</u>
25	10	8C616	SCREW-SHAFT TO IMPELLER COVER
26	1	225825	BEARING-INPUT SHAFT 210S

N.S.S. - Not Sold Separately
N.I. - Not Illustrated



32000

GROUP - PUMP DRIVE



GRP32121

Date : 26-JUN-15
Revised :
MODEL : 4505205

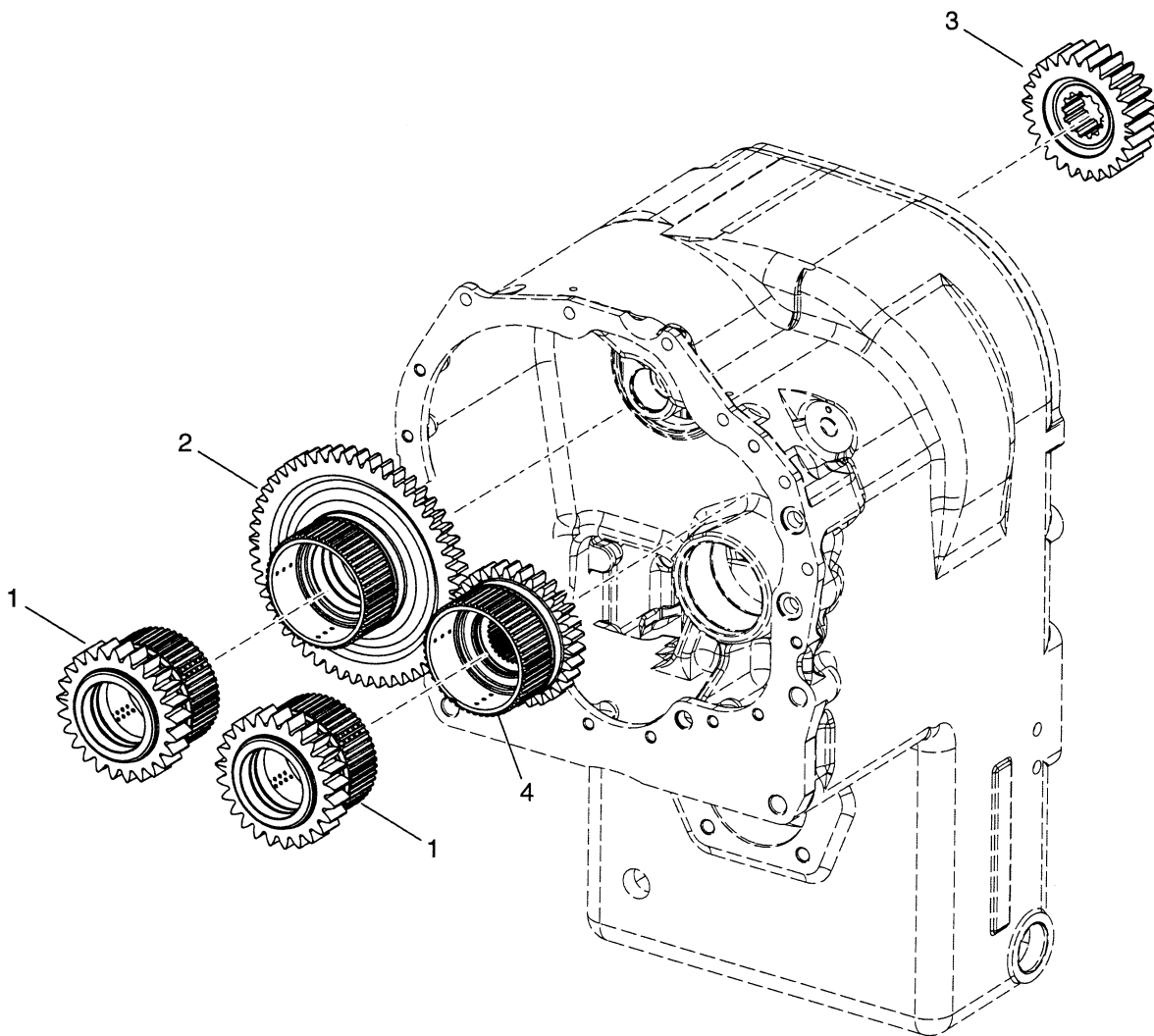
32000 VDP
GROUP-PUMP DRIVE VDP

<u>Item</u>	<u>Qty</u>	<u>Part Number</u>	<u>Description</u>
1	2	60K20016	O RING
2	2	2C832	CAPSCREW
2A	2	106762	SPINDLE SCREW WASHER
3	1	250420	GEAR-PUMP DRIVE 84T
4	1	243674	SUPPORT-PUMP DRIVE BEARING
5	1	4213026	BEARING-BALL
6	1	247483	SNAP RING
7	1	224009	RING-SNAP
8	1	250418	GEAR-IMPELLER HUB 84T
9	1	4213820	GEAR-IDLER 101T
10	1	250238	SUPPORT-PUMP DRIVE BEARING
11	1	229862	BEARING
12	2	4E8	LOCKWASHER
13	2	2C824	CAPSCREW
14	1	248255	SNAP RING
15	2	60K20016	O RING
16A	2	106762	SPINDLE SCREW WASHER
16	2	2C832	CAPSCREW
17	1	250420	GEAR-PUMP DRIVE 84T
18	1	243674	SUPPORT-PUMP DRIVE BEARING
19	1	4213026	BEARING-BALL
20	1	247483	SNAP RING

N.S.S. - Not Sold Separately
N.I. - Not Illustrated

TE15

GROUP-FWD AND REV SHAFT



Date : 26-JUN-15
Revised :
MODEL : 269256

28/32000
GROUP-FWD & REV SHAFT GEAR

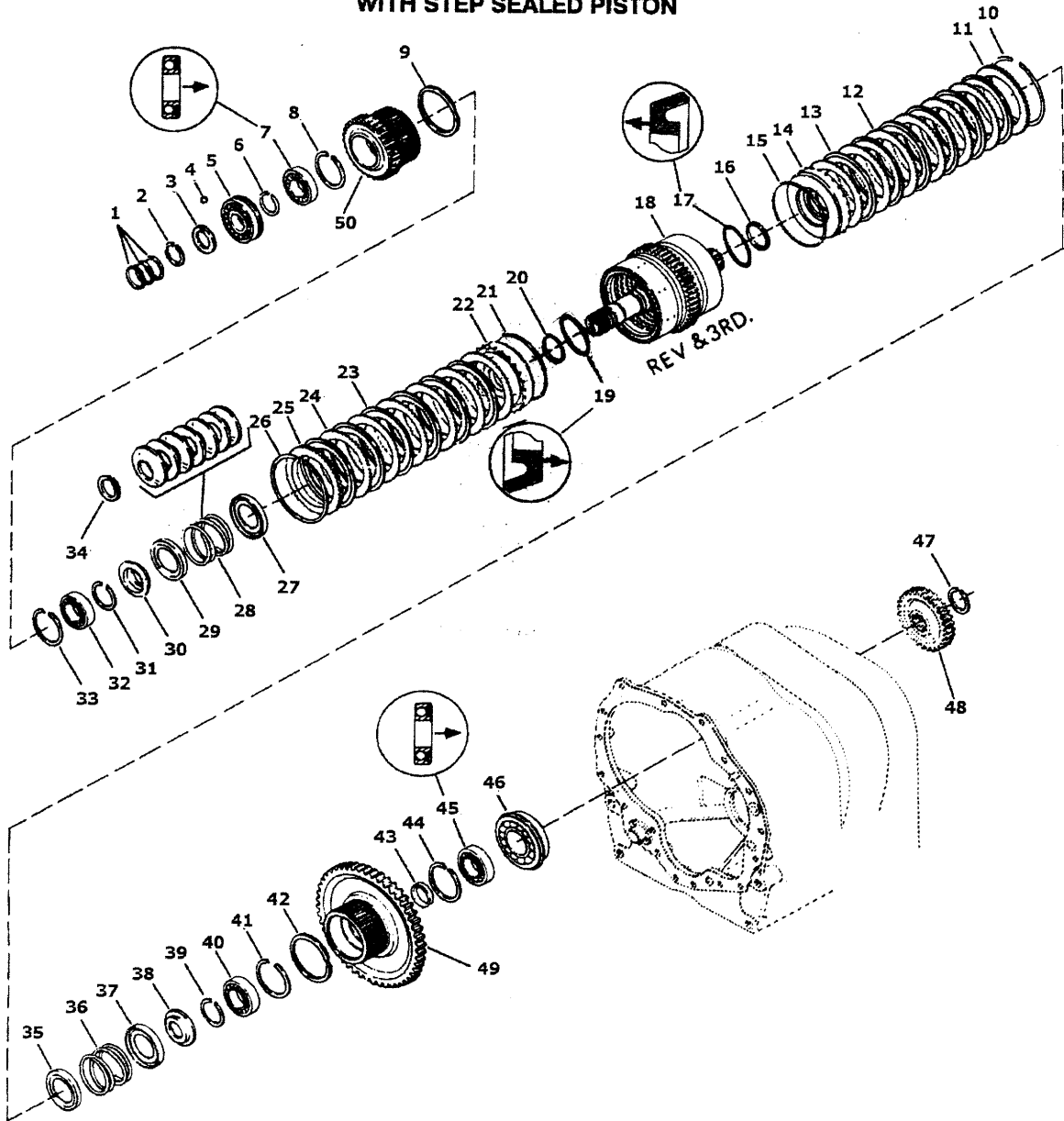
<u>Item</u>	<u>Qty</u>	<u>Part Number</u>	<u>Description</u>
1	2	248201	GEAR-CLUTCH DRIVEN 27T
2	1	231252	GEAR-HIGH RANGE 52T
3	1	249572	GEAR-DRIVE LOW & 4TH. 26T
4	1	239909	GEAR-2ND 30T

N.S.S. - Not Sold Separately
N.I. - Not Illustrated



SPICER OFF-HIGHWAY PRODUCTS DIVISION

32000 REVERSE AND 3RD CLUTCH SHAFT GROUP WITH STEP SEALED PISTON



GRP32092

Date : 26-JUN-15
Revised :
MODEL : 269992

32000
GROUP-REVERSE AND HIGH SHAFT (USSP)

<u>Item</u>	<u>Qty</u>	<u>Part Number</u>	<u>Description</u>
1	3	4208098	PISTON-RING
2	1	247949	RING-FRONT BEARING RETAINING
3	1	239947	PLATE-REV & HIGH SHAFT FRONT BRG END PLATE RE
4	1	10J4	BALL-REV & HIGH SHAFT FRONT BRG END PLATE RET
5	1	239946	BRG-REV & HIGH SHAFT LP-1308-U-128
6	1	247949	RING-FRONT BEARING RETAINING
7	1	233389	BRG-CLUTCH DRIVEN GEAR 108KSF L.I.F.
8	1	223877	SNAP RING-CLUTCH DRIVEN GEAR BRG
9			Not Used On This Model
10	1	215190	SNAP RING-BACKING PLATE 6 1/8 O.D. EXP X 1/8
11	1	245205	PLATE-DISC CLUTCH BACKING HIGH CLUTCH
12	7	224772	DISC-CLUTCH OUTER HIGH CLUTCH
13	7	236989	DISC-CLUTCH INNER HIGH CLUTCH
14	1	4213599	ASSY-CLUTCH PISTON & SEALS Including items 15 and 16
15	1	4212127	SEAL-CLUTCH PISTON OUTER - PART OF ITEM 14
16	1	230857	SEAL-CLUTCH PISTON INNER - PART OF ITEM 14
17	1	251926	SEAL-CLUTCH PISTON METERING
18	1	251944	ASSY-REV & 3RD SHAFT, HUB DRUM, & PLUG
19	1	251926	SEAL-CLUTCH PISTON METERING
20	1	230857	SEAL-CLUTCH PISTON INNER - PART OF ITEM 22
21	1	4212127	SEAL-CLUTCH PISTON OUTER - PART OF ITEM 22
22	1	4213600	ASSY - CLUTCH PISTON&SEALS Including items 20 & 21
23	6	236989	DISC-CLUTCH INNER REV CLUTCH
24	6	224772	DISC-CLUTCH OUTER REV CLUTCH

N.S.S. - Not Sold Separately
N.I. - Not Illustrated

Date : 26-JUN-15
Revised :
MODEL : 269992

32000
GROUP-REVERSE AND HIGH SHAFT (USSP)

<u>Item</u>	<u>Qty</u>	<u>Part Number</u>	<u>Description</u>
25	1	224774	PLATE-CLUTCH DISC BACKING REV CLUTCH
26	1	215190	SNAP RING-BACKING PLATE 6 1/8 O.D. EXP X 1/8
27	1	232088	RETAINER-SPRING
28	1	230822	SPRING-PISTON RETURN
29	1	232089	RETAINER-SPRING
30	1	239230	RETAINER-SPRING RETAINING SNAP RING
31	1	234350	SNAP RING-SPRING RETAINER
32	1	230829	BEARING-CLUTCH DRIVEN GEAR 108KS L.I.F.
33	1	223877	SNAP RING-CLUTCH DRIVEN GEAR BRG
34			Not Used On This Model
35	1	232088	RETAINER-SPRING
36	1	230822	SPRING-PISTON RETURN
37	1	232089	RETAINER-SPRING
38	1	239230	RETAINER-SPRING RETAINING SNAP RING
39	1	234350	SNAP RING-SPRING RETAINER
40	1	230860	BEARING-HIGH GEAR 109KS L.I.F.
41	1	223874	SNAP RING HIGH RANGE GEAR BRG
42			Not Used On This Model
43	1	230906	SPACER-HI GEAR BRG
44	1	223874	SNAP RING HIGH RANGE GEAR BRG
45	1	233390	BRG-HIGH GEAR 109KSF L.I.F.
46	1	239948	BEARING-REV. 3RD SHAFT
47	1	224106	RING GEAR RETAINING
48		NOTE	LOW CLUTCH DRIVE GEAR SEE ITEM 3 OF GROUP-GEAR FWD & REV SHAFT

N.S.S. - Not Sold Separately
N.I. - Not Illustrated

Date : 26-JUN-15
Revised :
MODEL : 269992

32000
GROUP-REVERSE AND HIGH SHAFT (USSP)

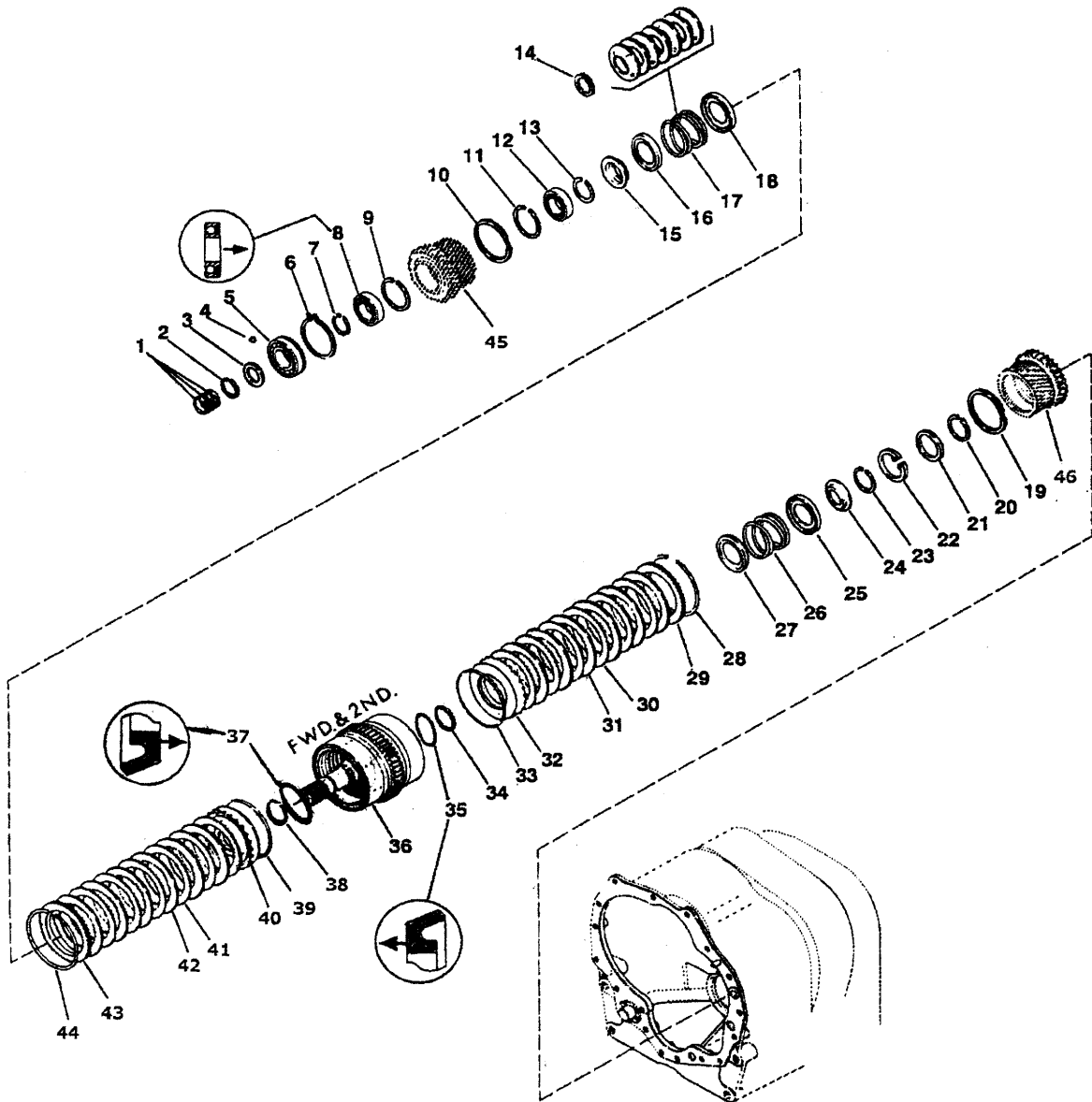
<u>Item</u>	<u>Qty</u>	<u>Part Number</u>	<u>Description</u>
49		NOTE	3RD GEAR SEE ITEM 2 OF GROUP-GEAR FWD & REV SHAFT
50		NOTE	CLUTCH DRIVEN GEAR SEE ITEM 1 OF GROUP-GEAR FWD & REV SHAFT

N.S.S. - Not Sold Separately
N.I. - Not Illustrated



SPICER OFF-HIGHWAY PRODUCTS DIVISION

32000 FORWARD & 2ND CLUTCH SHAFT GROUP
WITH STEP SEALED PISTON



GRP32091

Date : 26-JUN-15
Revised :
MODEL : 269991

32000
GROUP-FORWARD AND 2ND SHAFT (USSP)

<u>Item</u>	<u>Qty</u>	<u>Part Number</u>	<u>Description</u>
1	3	4208098	PISTON-RING
2	1	247949	RING-FRONT BEARING RETAINING
3	1	239947	PLATE-FWD & 2ND SHAFT FRT BRG END
4	1	10J4	BALL-FWD & 2ND SHAFT FRONT BRG END PLT RET
5	1	239946	BRG-FWD & 2ND SHAFT FRT LP-1308-U-128
6	1	230889	RING-FR BRG LOCATING
7	1	247949	RING-FRONT BEARING RETAINING
8	1	233389	BRG-CLUTCH DRIVEN GEAR 108KSF L.I.F.
9	1	223877	SNAP RING-CLUTCH DRIVEN GEAR BRG
10			Not Used On This Model
11	1	223877	SNAP RING-CLUTCH DRIVEN GEAR BRG
12	1	230829	BEARING-CLUTCH DRIVEN GEAR 108KSF L.I.F.
13	1	234350	SNAP RING-SPRING RETAINER
14			Not Used On This Model
15	1	239230	RETAINER-SPRING RETAINING SNAP RING
16	1	232089	RETAINER-SPRING
17	1	230822	SPRING-PISTON RETURN
18	1	232088	RETAINER-SPRING
19			Not Used On This Model
20	1	234350	SNAP RING-SPRING RETAINER
21	1	239986	RETAINER-2ND GEAR LOCATING GEAR
22	1	247487	SNAP RING-2ND GEAR LOCATING RING RET 247544
23	1	234350	SNAP RING-SPRING RETAINER
24	1	239230	RETAINER-SPRING RETAINING SNAP RING
25	1	232089	RETAINER-SPRING

N.S.S. - Not Sold Separately
N.I. - Not Illustrated

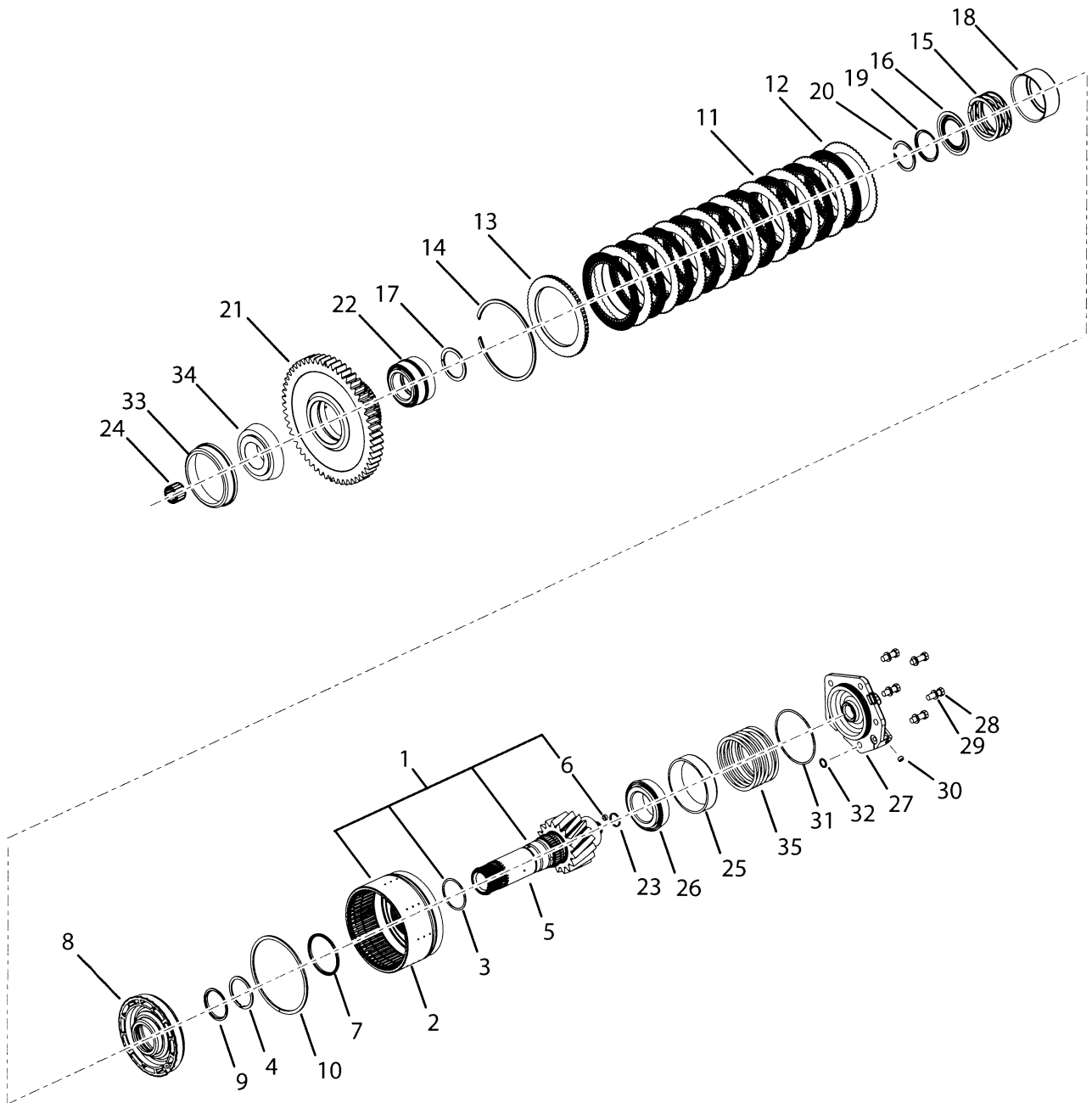
Date : 26-JUN-15
Revised :
MODEL : 269991

32000
GROUP-FORWARD AND 2ND SHAFT (USSP)

<u>Item</u>	<u>Qty</u>	<u>Part Number</u>	<u>Description</u>
26	1	230822	SPRING-PISTON RETURN
27	1	232088	RETAINER-SPRING
28	1	215190	SNAP RING-BACKING PLATE 6 1/8 O.D. EXP X 1/8
29	1	245205	PLATE-DISC CLUTCH BACKING 2ND CLUTCH
30	7	224772	DISC-CLUTCH OUTER 2ND CLUTCH
31	7	236989	DISC-CLUTCH INNER 2ND CLUTCH
32	1	4213599	ASSY-CLUTCH PISTON & SEALS including items 33 & 34
33	1	4212127	SEAL-CLUTCH PISTON OUTER - PART OF ITEM 32
34	1	230857	SEAL-CLUTCH PISTON INNER - PART OF ITEM 32
35	1	251926	SEAL-CLUTCH PISTON METERING
36	1	251941	ASSY-FWD & 2ND SHAFT, HUB, DRUM & PLUG
37	1	251926	SEAL-CLUTCH PISTON METERING
38	1	230857	SEAL-CLUTCH PISTON INNER - PART OF ITEM 40
39	1	4212127	SEAL-CLUTCH PISTON OUTER - PART OF ITEM 40
40	1	4213600	ASSY-CLUTCH PISTON&SEALS Including items 38 & 39
41	6	224772	DISC-CLUTCH OUTER FWD CLUTCH
42	6	236989	DISC-CLUTCH INNER FWD CLUTCH
43	1	224774	PLATE-DISC CLUTCH BACKING FWD CLUTCH
44	1	215190	SNAP RING-BACKING PLATE 6 1/8 O.D. EXP X 1/8
45		NOTE	FORWARD CLUTCH DRIVEN GEAR SEE ITEM 1 OF GROUP-GEAR FWD & REV SHAFT
46		NOTE	2ND GEAR SEE ITEM 4 OF GROUP-GEAR FWD & REV SHAFT

N.S.S. - Not Sold Separately
N.I. - Not Illustrated

32000 GROUP-LOW SHAFT



Date : 26-JUN-15
Revised : C
MODEL : 269993

32000
GROUP-LOW SHAFT (USSP)

<u>Item</u>	<u>Qty</u>	<u>Part Number</u>	<u>Description</u>
1	1	251950	ASSY-LOW SHAFT, HUB, DRUM & PLUG includes items 2 thru 6
2	1	251949	ASSY-LOW HUB & DRUM - PART OF ITEM 1
3	1	76K227	O RING - PART OF ITEM 1
4	1	224075	SNAP RING - PART OF ITEM 1
5	1	251426	SHAFT-LOW 17T - PART OF ITEM 1
6	1	248917	PLUG-LOW SHAFT LUBE - PART OF ITEM 1
7	1	251926	SEAL-CLUTCH PISTON METERING
8	1	4213600	ASSY-CLUTCH PISTON & SEALS Including items 9 & 10
9	1	230857	SEAL-CLUTCH PISTON - INNER PART OF ITEM 8
10	1	4212127	SEAL-CLUTCH PISTON OUTER - PART OF ITEM 8
11	9	230911	DISC-CLUTCH INNER
12	9	224772	DISC-CLUTCH OUTER
13	1	224774	PLATE-CLUTCH DISC BACKING
14	1	215190	SNAP RING
15	1	251430	SPRING-WAVE CLUTCH PISTON RETURN
16	1	251433	RETAINER-SPRING
17	1	251431	WASHER-BEARING
18	1	241917	SPRING RETAINER
19	1	224026	SNAP RING
20	1	251432	RETAINER-SNAPRING
21	1	249573	GEAR-HUB LOW CLUTCH 54T
22	1	251435	BEARING-ROLLER
23	1	250215	RING-PISTON
24	1	230886	BEARING

N.S.S. - Not Sold Separately
N.I. - Not Illustrated

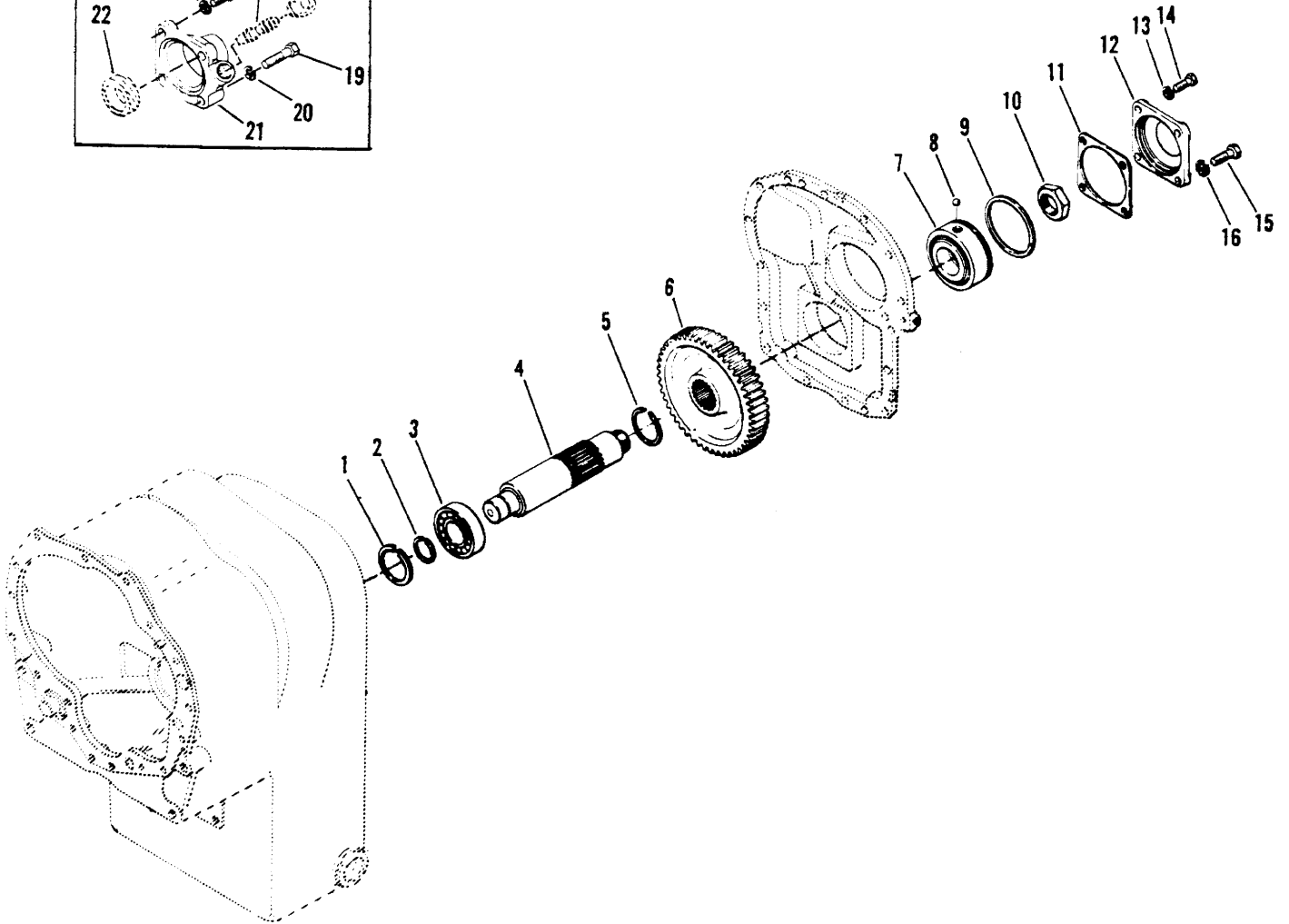
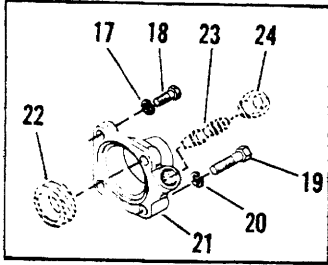
Date : 26-JUN-15
Revised : C
MODEL : 269993

32000
GROUP-LOW SHAFT (USSP)

<u>Item</u>	<u>Qty</u>	<u>Part Number</u>	<u>Description</u>
25	1	243259	TAPER ROLLER BEARING CUP
26	1	243257	TAPER ROLLER BEARING CONE
27	1	251434	CAP-LOW SHAFT BEARING
28	5	1C618	CAPSCREW
29	5	4E6	LOCKWASHER
30	1	239244	PLUG
31	1	76K241	O RING
32	1	76K112	O RING
33	1	251428	BEARING-CUP
34	1	251429	BEARING-CONE
35	AR	251442	SHIM-BEARING CAP .004
35A	AR	251443	SHIM-BEARING CAP .007
35B	AR	251444	SHIM-BEARING CAP .010
35C	AR	251445	SHIM-BEARING CAP .020

N.S.S. - Not Sold Separately
N.I. - Not Illustrated

32000
GROUP-IDLER SHAFT



GRP32131

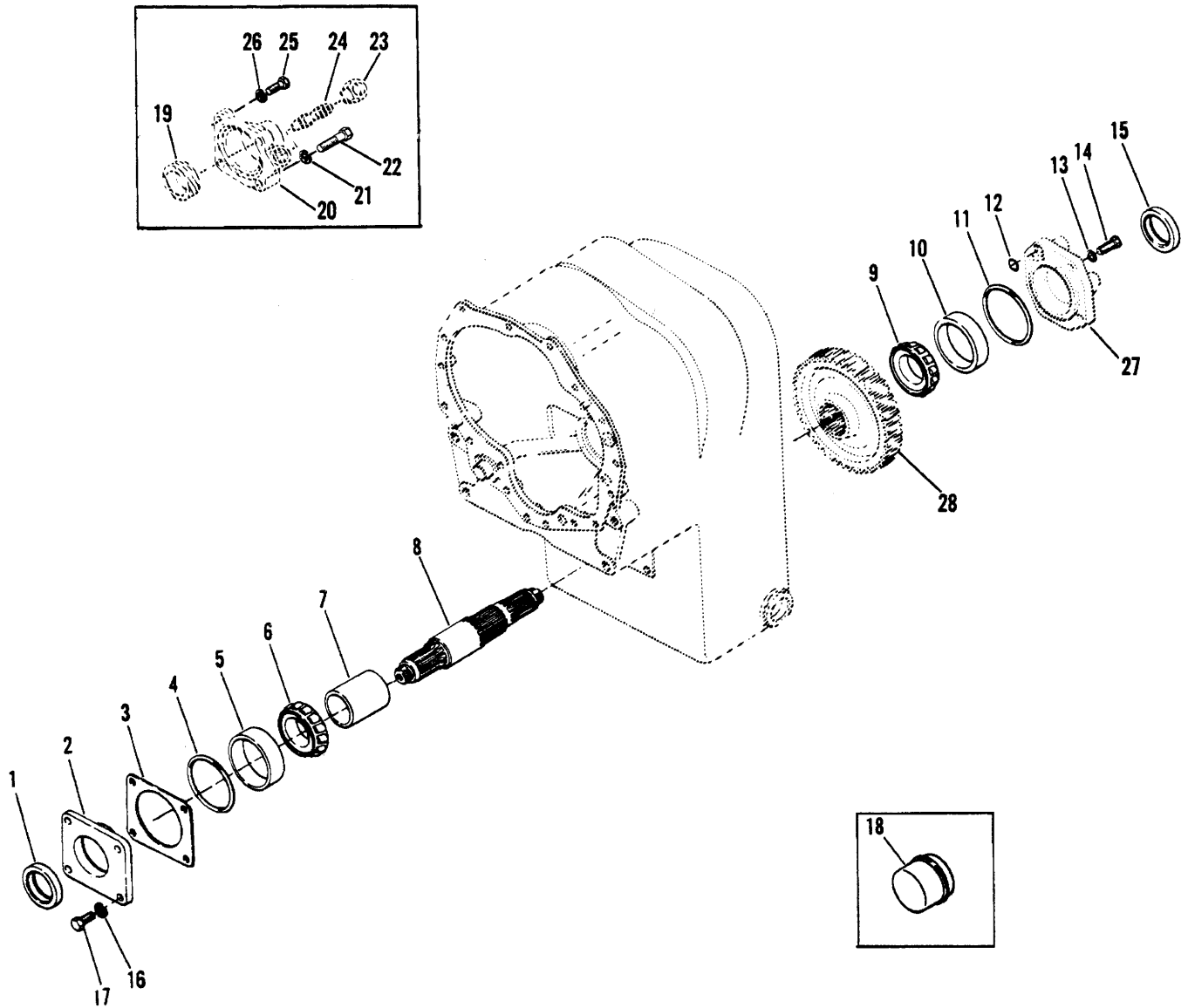
Date : 26-JUN-15
Revised : B
MODEL : 4504899

32000
GROUP-IDLER SHAFT

<u>Item</u>	<u>Qty</u>	<u>Part Number</u>	<u>Description</u>
1	1	247949	RING-RETAINING
2	1	223901	SNAP RING
3	1	247348	BEARING
4	1	4211662	SHAFT - IDLER AND GEAR 45T Not as shown: shaft includes items 4,5 & 6 and is now a one piece construction
5			Not Used On This Model
6			Not Used On This Model
7	1	239922	BEARING
8	1	10J15	BALL
9	1	230952	SNAP RING
10	1	231639	LOCK NUT
11	1	230918	IDLER SHAFT REAR BEARING CAP GASKET
12	1		SEE ITEM #21
13			Not Used On This Model
14			Not Used On This Model
15			Not Used On This Model
16			Not Used On This Model
17	2	4E9	LOCKWASHER-BEARING CAP SCREW
18	2	1C924	CAPSCREW
19	2	1C924	CAPSCREW
20	2	4E9	LOCKWASHER-BEARING CAP SCREW
21	1	4212803	CAP-REAR BEARING IDLER SHAFT
22	1	239923	SPACER-REAR BEARING
23			Not Used On This Model
24			PLUG IDL CAP SPEEDO-SEE SPECIAL PART SECTION

N.S.S. - Not Sold Separately
N.I. - Not Illustrated

GROUP-OUTPUT SHAFT
SHORT DROP



GRP32286

32000
GROUP-OUTPUT SHAFT

<u>Item</u>	<u>Qty</u>	<u>Part Number</u>	<u>Description</u>
1	1	231884	OIL SEAL
2	1	231818	CAP-FRONT BEARING
3	AR	231848	SHIM DISCONNECT BEARING CAP (.004)
3A	AR	231849	OUTPUT SHAFT BRG. CAP SHIM
3B	AR	231850	OUTPUT SHAFT BRG. CAP SHIM
3C	AR	231851	OUTPUT SHAFT BRG. CAP SHIM
4	1	25K40400	O RING
5	1	243258	TAPER ROLLER BEARING CUP
6	1	243257	TAPER ROLLER BEARING CONE
7	1	239980	OUTPUT SHAFT SPACER
8	1	239932	OUTPUT SHAFT
9	1	243257	TAPER ROLLER BEARING CONE
10	1	243259	TAPER ROLLER BEARING CUP
11	1	25K40412	O RING
12	1	25K30026	O RING
13	4	4E9	LOCKWASHER
14	4	1C928	CAPSCREW
15	1	231884	OIL SEAL
16	4	4E9	LOCKWASHER
17	4	1C920	CAPSCREW
18			Not Used On This Model
19			Not Used On This Model
20			Not Used On This Model
21			Not Used On This Model
22			Not Used On This Model

N.S.S. - Not Sold Separately
N.I. - Not Illustrated

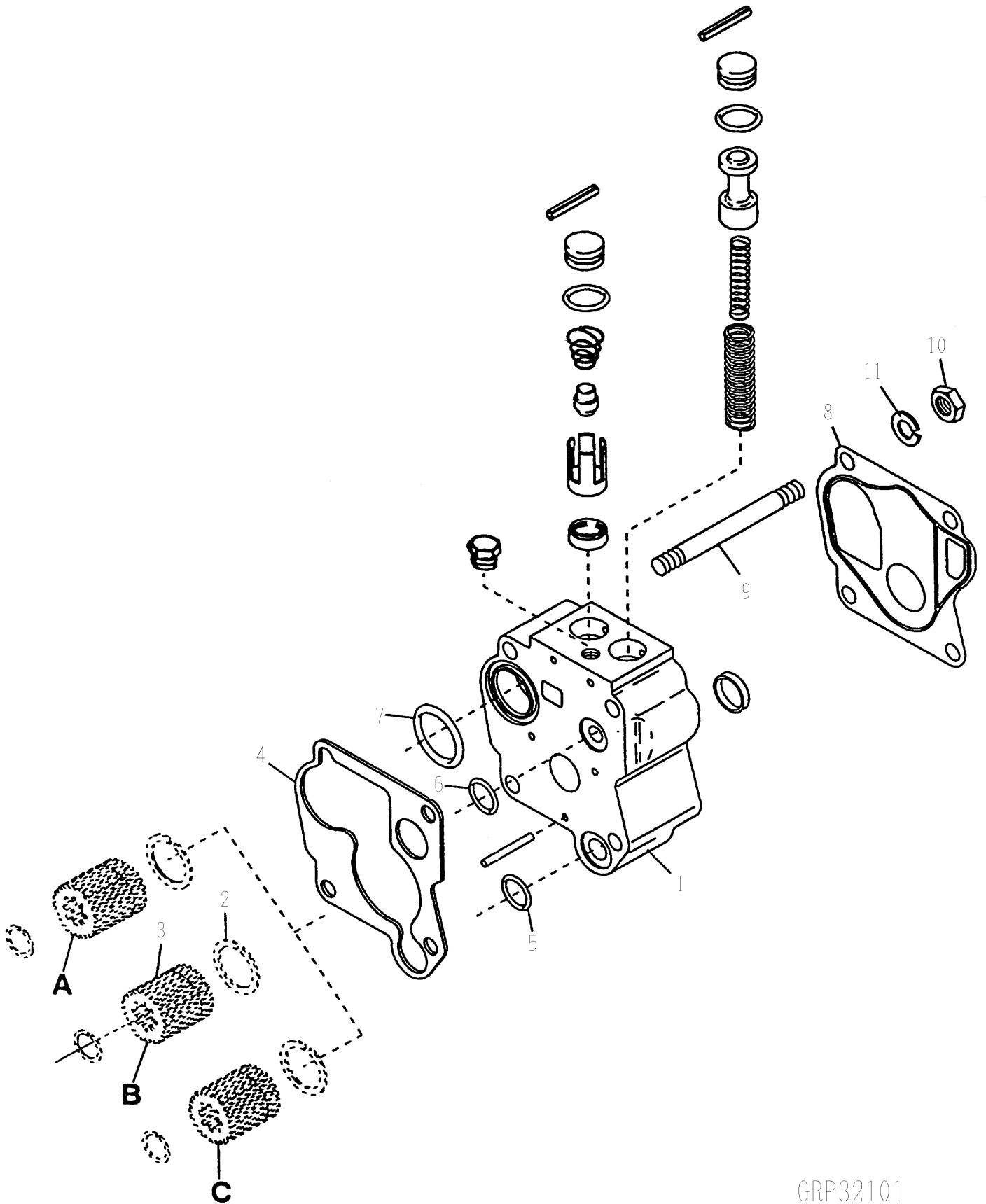
Date : 26-JUN-15
Revised : C
MODEL : 240429

32000
GROUP-OUTPUT SHAFT

<u>Item</u>	<u>Qty</u>	<u>Part Number</u>	<u>Description</u>
23			Not Used On This Model
24			Not Used On This Model
25			Not Used On This Model
26			Not Used On This Model
27			REAR BEARING CAP - SEE FRONT PAGE
28	1		OUTPUT SHAFT GEAR - SEE FRONT PAGE

N.S.S. - Not Sold Separately
N.I. - Not Illustrated

GROUP-PRESSURE REGULATOR VALVE AND CHARGING PUMP



GRP32101

Date : 26-JUN-15
Revised :
MODEL : 4505217

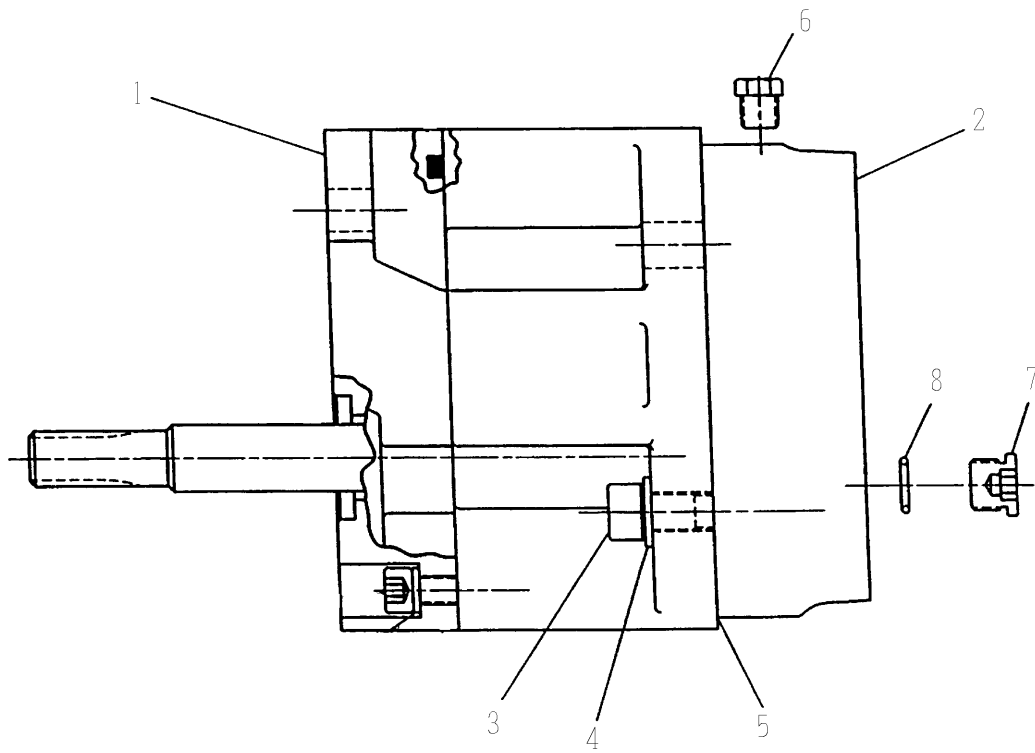
32000
GROUP-CHARGE PUMP AND REGULATOR VALVE

<u>Item</u>	<u>Qty</u>	<u>Part Number</u>	<u>Description</u>	
1	1	250991	ASSY-PRESSURE REGULATOR VALVE SEE GRP32103 FOR INDIVIDUAL PARTS Order 250991 assy-pressure regulator valve to service valve body	
2			Not Used On This Model	
3			Not Used On This Model	
4	1	249889	GASKET	
5	1	60K40026	O RING	
6	1	60K40100	O RING	
7	1	60K40116	O RING	
8	1	249914	GASKET-VALVE BODY TO PUMP	
9	4	231083	STUD	
10	4	62D7	NUT	
11	4	4E7	LOCKWASHER-PUMP MOUNTING SCREW	
	1	4213802	ASSY-CHARGING PUMP (28 GPM) SEE GRP32102 FOR INDIVIDUAL PARTS	N.I.

N.S.S. - Not Sold Separately
N.I. - Not Illustrated



ASSY-CHARGE PUMP AND COVER



GRP32102

Date : 26-JUN-15
Revised :
MODEL : 4213802

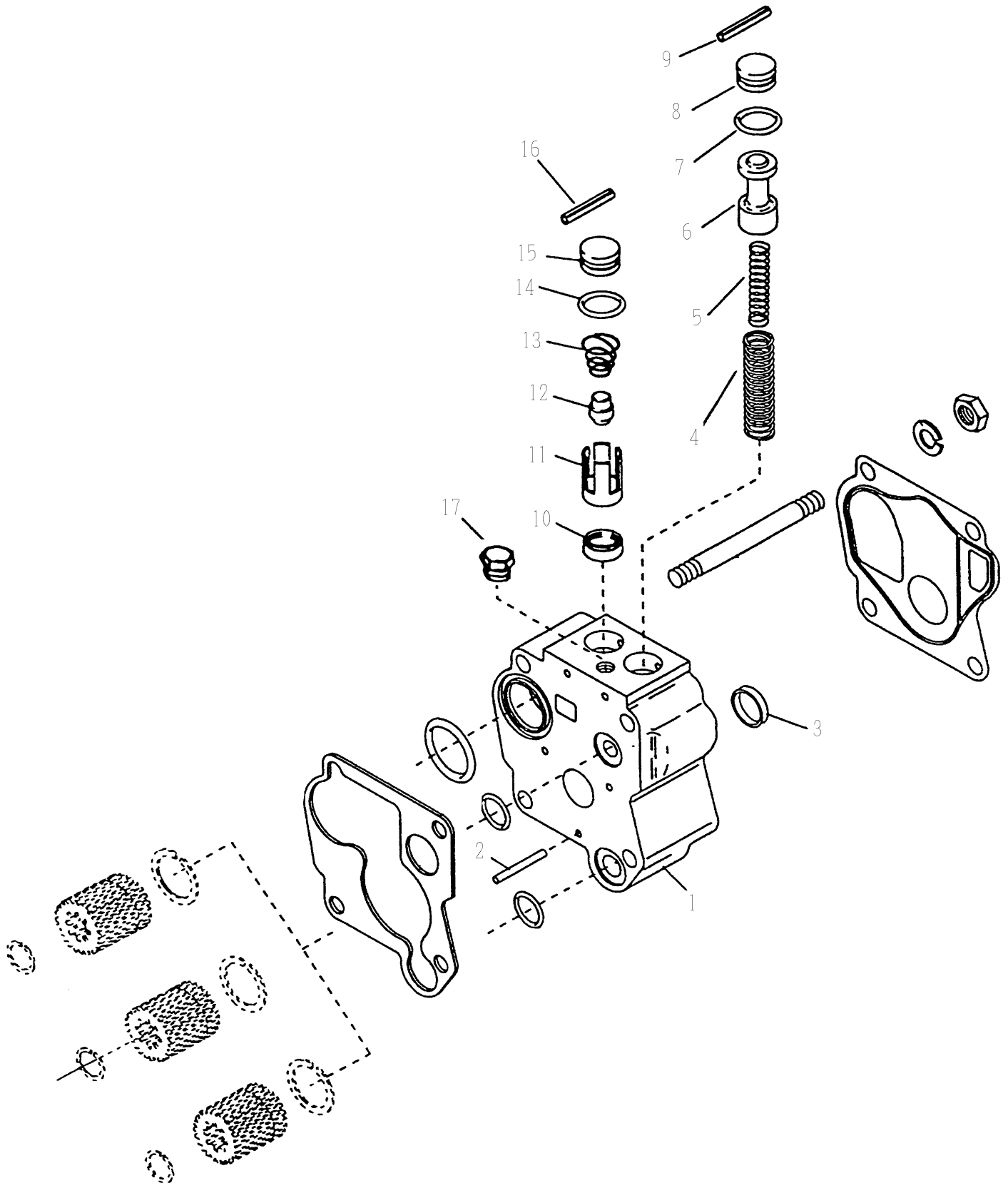
28/32000
ASSY-CHARGING PUMP (28 GPM)

<u>Item</u>	<u>Qty</u>	<u>Part Number</u>	<u>Description</u>
1	1	4213803	ASSY-CHARGING PUMP
2	1	248846	COVER-PUMP
3	4	3GM1035	CAPSCREW
4	4	18EM1019	WASHER
5	1	231199	GASKET-PUMP TO FILTER
6	1	40K2	PIPE PLUG
7	1	47K5	FITTING-PLUG, O RING SEAL - INCL.ITEM 8
8	1	91F5	O RING - PART OF ITEM 7

N.S.S. - Not Sold Separately
N.I. - Not Illustrated



ASSY-PRESSURE REGULATOR VALVE



GRP32103

Date : 26-JUN-15
Revised :
MODEL : 250991

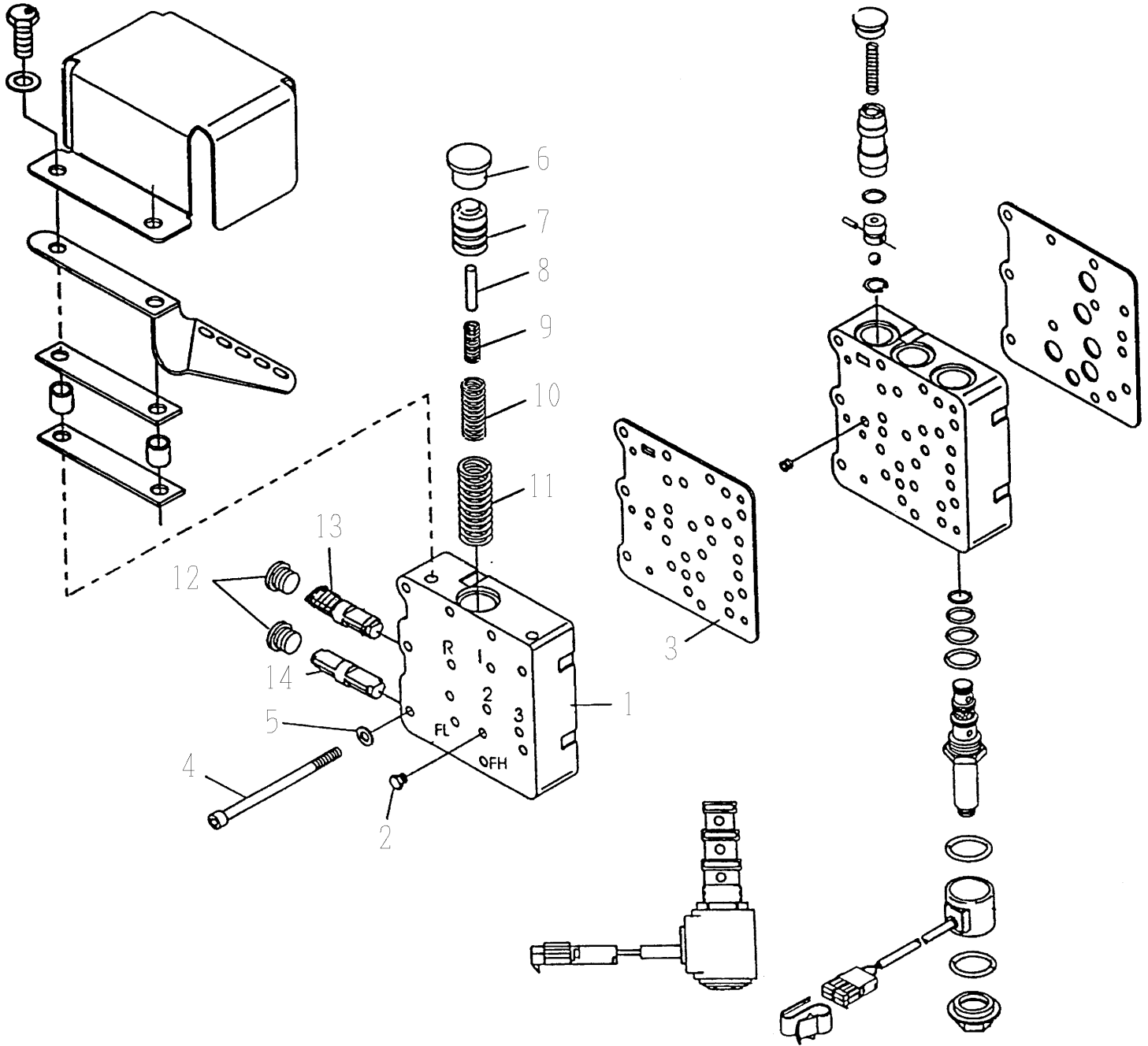
HR33/S32000
ASSY-PRESSURE REGULATOR VALVE

<u>Item</u>	<u>Qty</u>	<u>Part Number</u>	<u>Description</u>
1			Not Used On This Model Order 250991 assy-pressure regulator valve to service valve body
2	3	233280	ROLL PIN
3	1	456294	SEAL-OIL
4	1	235676	SPRING
5	1	224368	PRESSURE REGULATOR SPRING (INNER)
6	1	249997	PISTON-PRESSURE REGULATOR VALVE
7	1	60K30018	O RING
8	1	220983	VALVE STOP
9	1	654723	ROLLPIN
10	1	233278	SEAT-SAFETY VALVE
11	1	233279	SPACER-SAFETY VALVE
12	1	222318	PRESSURE RELIEF VALVE PLUNGER
13	1	222312	SPRING-SAFETY VALVE
14	1	60K30022	O RING
15	1	229296	STOP-SAFETY VALVE SPRING
16	1	654723	ROLLPIN
17	1	24K5	FITTING-PLUG

N.S.S. - Not Sold Separately
N.I. - Not Illustrated



ASSY-ELECTRIC CONTROL VALVE



GRP32183

Date : 26-JUN-15
Revised : B
MODEL : 251281

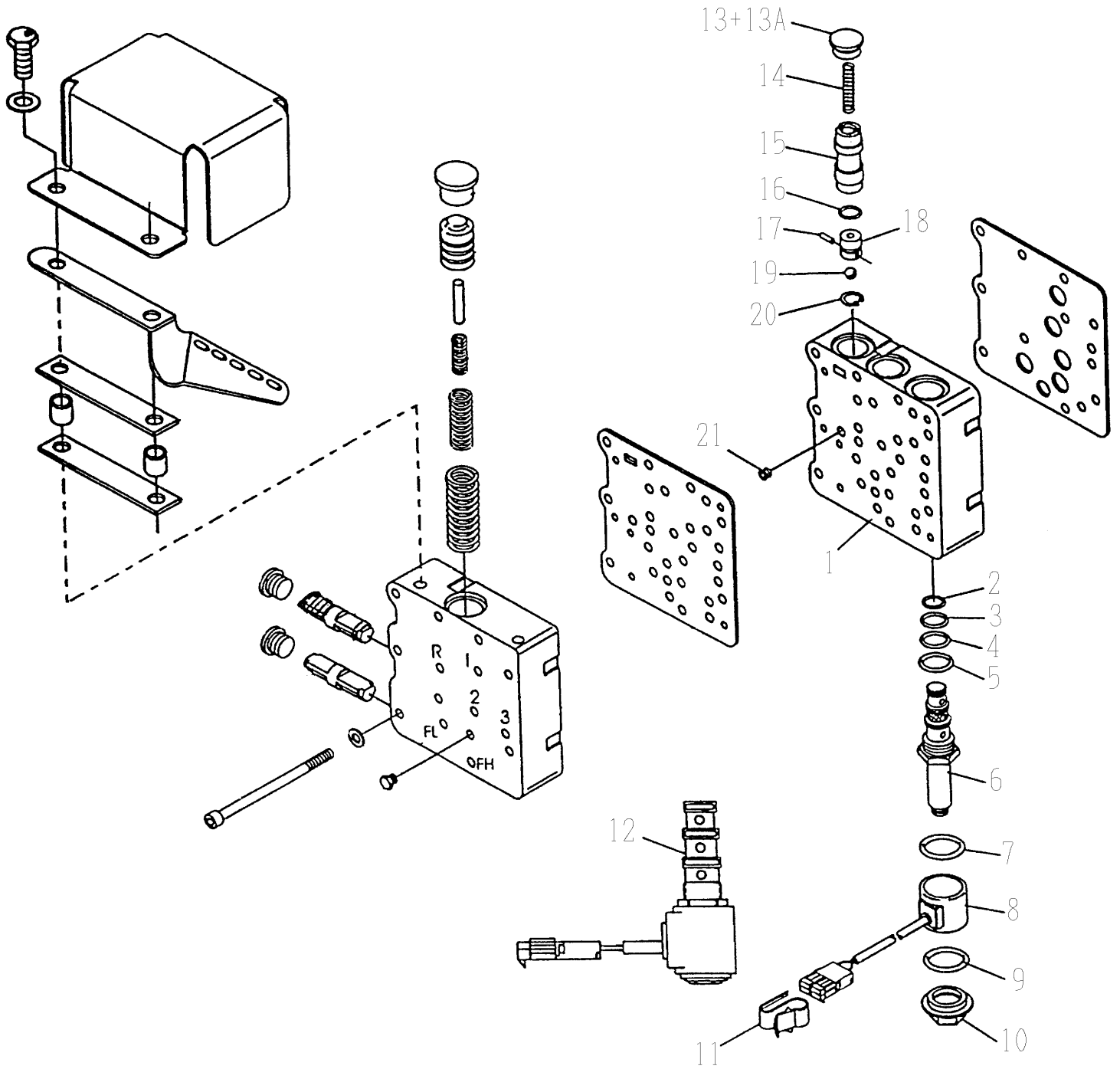
28/32000
ASSEMBLY-ELECT.CONT.VALVE

<u>Item</u>	<u>Qty</u>	<u>Part Number</u>	<u>Description</u>
1	1	251020	ASSEMBLY-CV COVER -INCL.ITEM 2
2	6	24K3	FITTING-PLUG - PART OF ITEM 1
3	1	250625	GASKET
4	2	1C668	CAPSCREW
5	2	4E6	LOCKWASHER
6			Not Used On This Model
7			Not Used On This Model
8			Not Used On This Model
9			Not Used On This Model
10			Not Used On This Model
11			Not Used On This Model
12			Not Used On This Model
13			Not Used On This Model
13A			Not Used On This Model
14			Not Used On This Model
			Includes items 2 thru 21 - must be ordered as assembly 251282 Including items 2 thru 11

N.S.S. - Not Sold Separately
N.I. - Not Illustrated



ASSY-ELECTRIC CONTROL VALVE



GRP32181

Date : 26-JUN-15
Revised :
MODEL : 251282

28/32000
ASSY-CONTROL VALVE HOUSING 24V

<u>Item</u>	<u>Qty</u>	<u>Part Number</u>	<u>Description</u>	
1	1	N.S.S.	HOUSING-CONT.VALVE Includes items 2 thru 21 - must be ordered as assembly 251282	
2	4	76K14	O RING - PART OF ITEM 12	
3	4	76K15	O RING - PART OF ITEM 12	
4	4	76K16	O-RING - PART OF ITEM 12	
5	4	78K10	O RING - PART OF ITEM 12	
6	4	N.S.S.	CARTRIDGE-VALVE 4W2P - PART OF ITEM 12	
7	4	76K122	O-RING - PART OF ITEM 12	
8	4	N.S.S.	COIL ASSY 24 VDC - PART OF ITEM 12	
9	4	76K121	O-RING - PART OF ITEM 12	
10	4	N.S.S.	NUT-SOLENOID - PART OF ITEM 12	
11			Not Used On This Model	
12	4	4215392	ASSY-SOLENOID Including items 2 thru 11	
13	1	47K7	FITTING-PLUG, O RING SEAL-	INCL.ITEM 13A
13A	1	91F7	O RING - PART OF ITEM 13	
14			Not Used On This Model	
15			Not Used On This Model	
16			Not Used On This Model	
17			Not Used On This Model	
18			Not Used On This Model	
19			Not Used On This Model	
20			Not Used On This Model	
21			Not Used On This Model	
	1	250623	PLUG	N.I.

N.S.S. - Not Sold Separately
N.I. - Not Illustrated

Date : 26-JUN-15
Revised :
MODEL : 251282

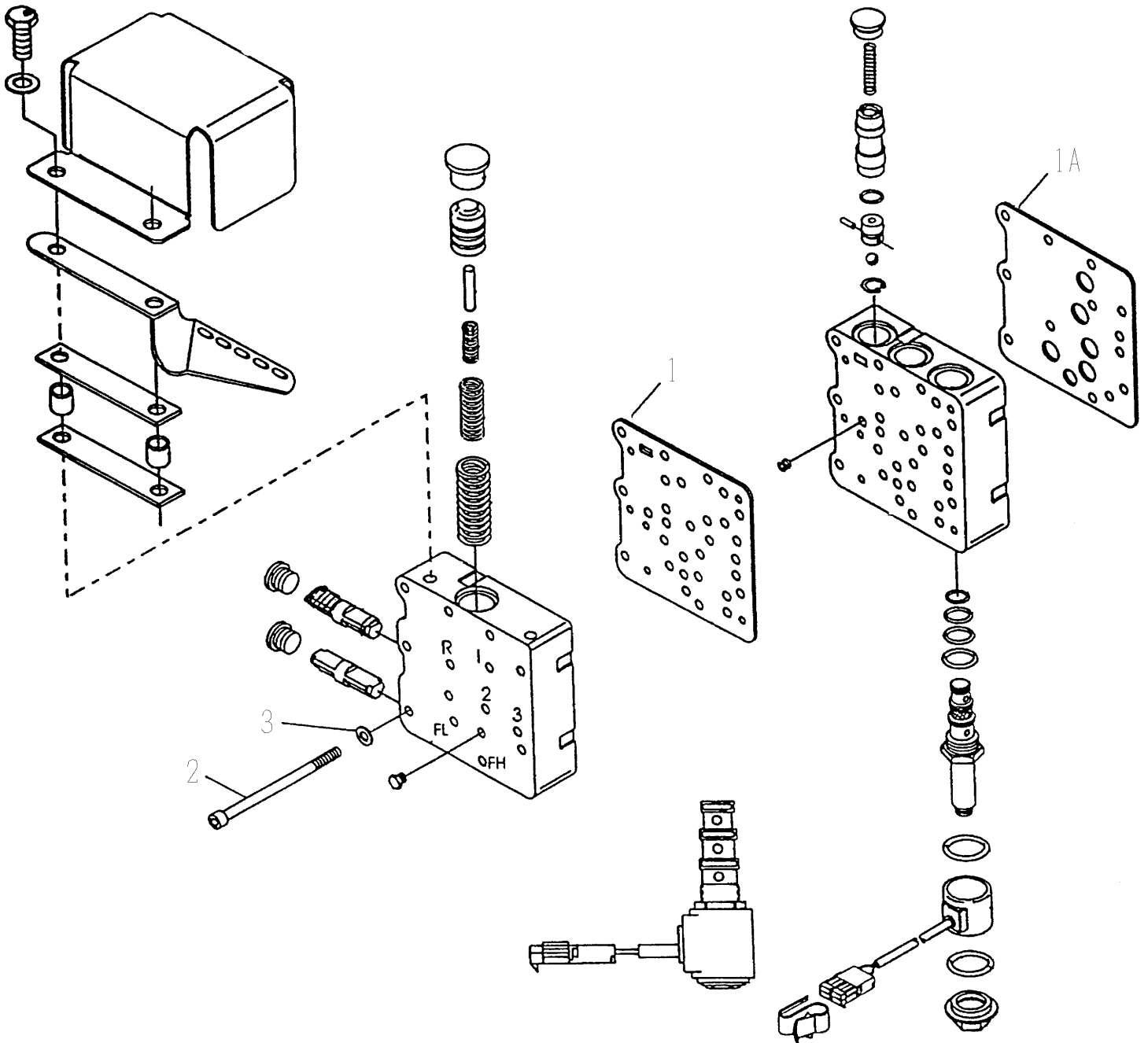
28/32000
ASSY-CONTROL VALVE HOUSING 24V

<u>Item</u>	<u>Qty</u>	<u>Part Number</u>	<u>Description</u>	
	1	239244	PLUG	N.I.

N.S.S. - Not Sold Separately
N.I. - Not Illustrated



GROUP-CONTROL VALVE ATTACH PARTS



GRP32184

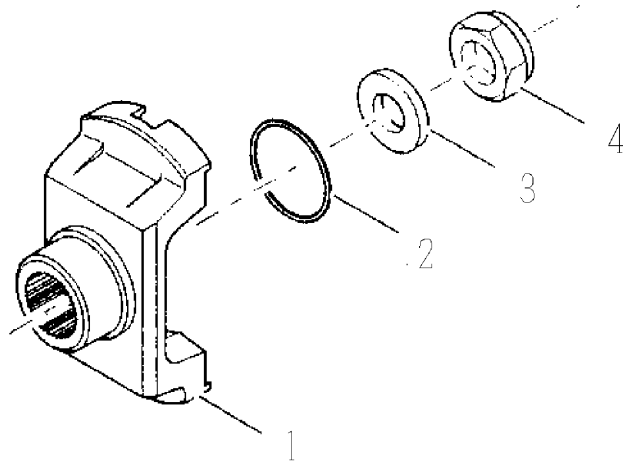
Date : 26-JUN-15
Revised :
MODEL : 269351

32000
GROUP-CONTROL VALVE ATTACH PARTS

<u>Item</u>	<u>Qty</u>	<u>Part Number</u>	<u>Description</u>
1			Not Used On This Model
1A	1	250624	GASKET
2	7	1C668	CAPSCREW
3	7	4E6	LOCKWASHER

N.S.S. - Not Sold Separately
N.I. - Not Illustrated

OUTPUT FLANGE GROUP



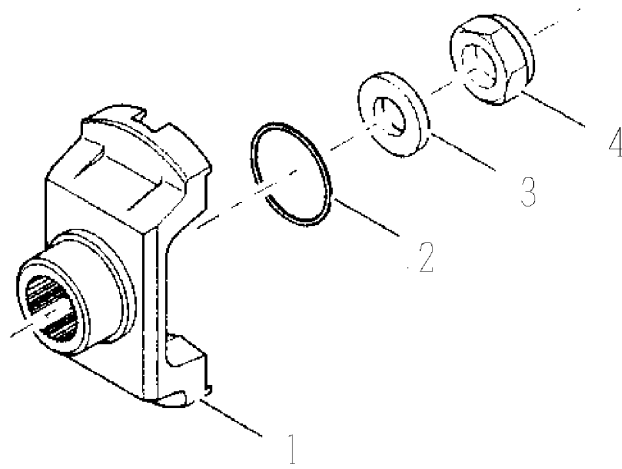
Date : 26-JUN-15
Revised : A
MODEL : 238208

28000
GROUP-FLANGE 387/40 17T

<u>Item</u>	<u>Qty</u>	<u>Part Number</u>	<u>Description</u>
1	1	4200031	FLANGE-COMPANION GWB 387/40
2	1	76K328	O RING
3	1	231916	WASHER
4	1	215634	NUT-IDLER SHAFT

N.S.S. - Not Sold Separately
N.I. - Not Illustrated

INPUT FLANGE GROUP



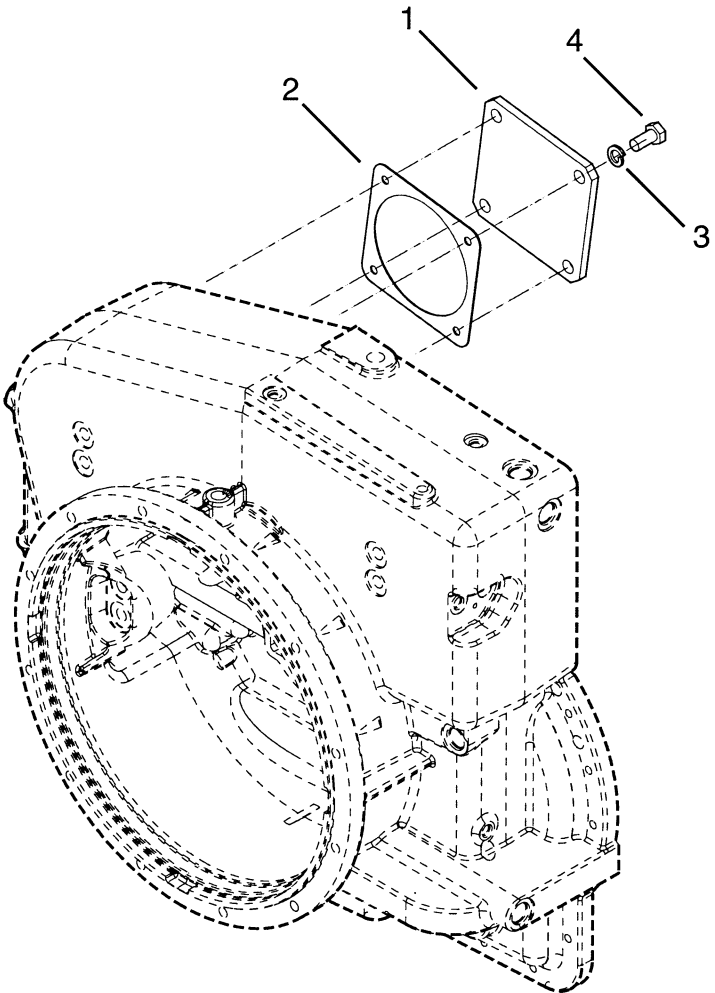
Date : 26-JUN-15
Revised : A
MODEL : 235533

28000
GROUP-FLANGE 387/30 14T

<u>Item</u>	<u>Qty</u>	<u>Part Number</u>	<u>Description</u>	
1	1	4200030	FLANGE-COMPANION	GWB 387/30
2	1	25K60116	O RING	
3	1	222179	WASHER-FLANGE	
4	1	222960	NUT-FLANGE	

N.S.S. - Not Sold Separately
N.I. - Not Illustrated

TE17
SHIPPING COVER GROUP



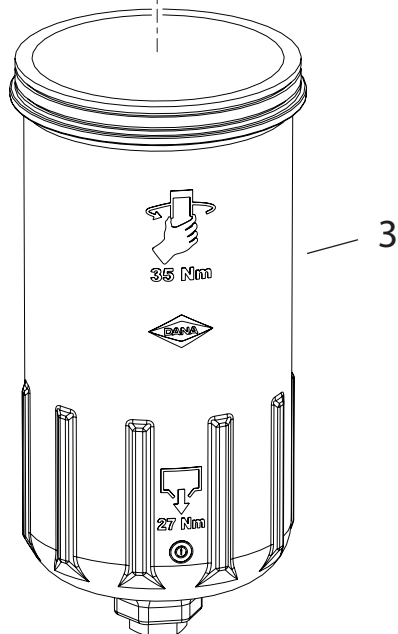
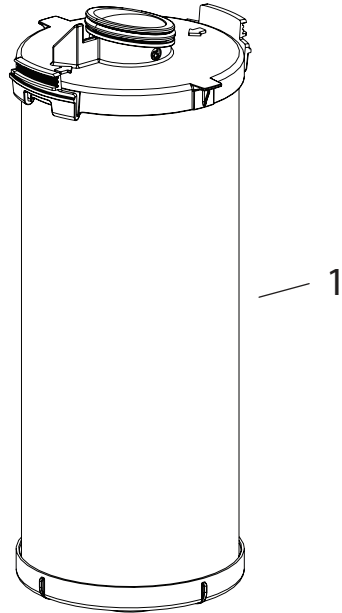
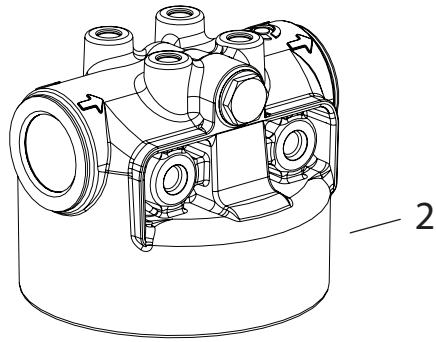
Date : 26-JUN-15
Revised :
MODEL : 233872

C5000/C8000/HR28000
GROUP-PUMP SHIPPING COVER

<u>Item</u>	<u>Qty</u>	<u>Part Number</u>	<u>Description</u>
1	1	216355	COVER-PERMANENT PUMP ADAPTOR
2	1	4201747	GASKET-PERM PUMP HOLE COVER
3	4	1C816	SCREW-PERM PUMP HOLE COVER
4	4	4E8	LOCKWASHER-PERM PUMP HOLE COVER SCREW

N.S.S. - Not Sold Separately
N.I. - Not Illustrated

TE30 ASSEMBLY-OIL FILTER



Date : 26-JUN-15
Revised :
MODEL : 4220426

TE30
ASSEMBLY-OIL FILTER

<u>Item</u>	<u>Qty</u>	<u>Part Number</u>	<u>Description</u>
1	1	4220427	ELEMENT-OIL FILTER FOR FLK90 FILTER 4220426
2	1	N.S.S.	BODY-OIL FILTER ORDER ASSY 4220426 TO SERVICE BODY-OIL FILTER
3	1	N.S.S.	CARTRIDGE-OIL FILTER ORDER ASSY 4220426 TO SERVICE CARTRIDGE-OIL FILTER
4		NOTE	ORDER 2 TIMES THESE QUANTITIES FOR TE30

N.S.S. - Not Sold Separately
N.I. - Not Illustrated

08-JUN-11

ENGINEERING PARTS LIST

Nr: 8100262

Model: 32000

Ref: 802322

KIT-GASKET AND SEALING 3, 4 6 SPEED LONG DROP

QTY SHOWN IS TO MAKE ONE OF THE NEXT HIGHER ASSEMBLY

REV	P	PART NUMBER	QTY	S/E	PARTNAME AND APPLICATION
		91F8	1		SEAL-O RING
		60K40104	1		SEAL-O RING
		60K20012	1		SEAL-O RING
		243191	1		GASKET-REAR COVER
		60K40026	5		SEAL-O RING
		219373	1		GASKET-RUBBER
		244094	2		GASKET-BEARING CAP
		4208098	8		PISTON-RING
B		8100384	5		RING-PISTON
B		4212127	5		SEAL-CLUTCH PISTON OUTER
B		230857	6		SEAL-OIL
		250215	1		RING-PISTON ϕ AVL!
		60K40424	1		SEAL-O RING
		237032	2		RING-PISTON
		234113	2		RING-PISTON SEAL
		4205272	1		GASKET-SHIPPING COVER
		231884	2		SEAL-OIL
		60K40400	1		SEAL-O RING
		60K30026	1		SEAL-O RING
		60K40412	1		SEAL-O RING
		25K60128	2		SEAL-O RING
		60K30016	1		SEAL-O RING
		214625	1		SEAL-OIL
		242408	1		GASKET-REAR COVER ϕ AVL!
		244585	6		SEAL-CLUTCH PISTON
		231193	1		GSKT-LO CL BRG CAP ϕ AVL!
		250219	3		RING-PISTON ϕ AVL!

Ltr : B
Date: 09-FEB-11
ECN : 11410500B1

Issued : sv

Rel : sv
Date: 21-JUN-06
ERN : 06455800B1

08-JUN-11

ENGINEERING PARTS LIST

Nr: 8100262

Model: 32000

Ref: 802322

KIT-GASKET AND SEALING 3, 4 6 SPEED LONG DROP

QTY SHOWN IS TO MAKE ONE OF THE NEXT HIGHER ASSEMBLY

REV	P	PART NUMBER	QTY	S/E	PARTNAME AND APPLICATION
		230918	1		GSKT-SHFT BRG CAP. ϕ AVL!
		231606	1		GASKET-HSG TO CASE ϕ AVL!
		25K40112	1		SEAL-O RING
		76K328	1		SEAL-O RING-VITON
		76K241	1		SEAL-O RING
		76K112	1		SEAL-O RING
		251926	5		SEAL-CLUTCH PISTON METERING
		TSB323	I		INSTRUCTION FOR OBSOLETED 249680

Ltr : B
Date: 09-FEB-11
ECN : 11410500B1

Issued : sv

Rel : sv
Date: 21-JUN-06
ERN : 06455800B1

Model: 32000

CONVERTER SECTION GASKET AND SEALING KIT - HR AND MHR FOR 32000

QTY SHOWN IS TO MAKE ONE OF THE NEXT HIGHER ASSEMBLY

REV	P	PART NUMBER	QTY	S/E	PARTNAME AND APPLICATION
		232640	1		GSKT-EMERG STR PUMP
		60K40030	1		O RING
		60K30012	3		O RING
		243195	1		GASKET-CONV. HSG.
		250089	1		RING-PISTON ϕ AVL!
		250088	1		RING-PISTON ϕ AVL!
		235593	1		SEAL-OIL BAFFLE
		231458	1		RING-OIL BAF SEAL
		60K40520	1		"O" RING-SHAFT
		232535	1		RING-SEALING
		60K40616	1		O RING
		237415	1		GASKET ϕ AVL!
		249914	1		GASKET
		60K40100	1		O-RING
		60K40106	1		O-RING
		60K40026	1		"O"-RING
		248012	1		GASKET ϕ AVL!
		248013	1		GASKET-CONTROL VAL ϕ AVL!
		245699	1		GASKET-PUMP ϕ AVL!
		60K30018	1		O-RING
		60K30022	2		"O"-RING
		456294	1		SEAL
		234643	2		SEAL-PUMP SHAFT
		231199	1		GASKET-PUMP TO FILTER
		234650	2		SEAL-OIL
		60K40428	1		P O-RING
		232640	1		GSKT-EMERG STR PUMP

Ltr :
Date:
ECN :

Issued : sv

Rel : sv
Date: 31-DEC-04
ERN : 56310012

Model: 32000

CONVERTER SECTION GASKET AND SEALING KIT - HR AND MHR FOR 32000

QTY SHOWN IS TO MAKE ONE OF THE NEXT HIGHER ASSEMBLY

REV	P	PART NUMBER	QTY	S/E	PARTNAME AND APPLICATION
		245023	1		PLUG-HYD TUBE
		209781	4		RING-PISTON ϕ AVL!
		60K40504	1		"O" RING
		234076	1		RING-PISTON ϕ AVL!
		222210	1		RING-PISTON ϕ AVL!
		4200704	1		GASKET
		248005	1		GASKET-VAL TO COVER
		241806	1		SEAL-DUST COVER
		248022	1		GASKET-MOD VALVE ϕ AVL!
		231606	1		GASKET-HSG TO CASE ϕ AVL!
		248009	1		GASKET ϕ AVL!
		247616	1		GASKET-CONT VALVE ϕ AVL!
		60K40624	1		O-RING
		248023	1		GASKET-CONT VALVE ϕ AVL!
		248021	1		GASKET-ADAPTOR PLATE
		248025	1		GSKT-ADAPTOR HSG ϕ AVL!
		234651	2		SEAL-OIL
		25K30030	1		O-RING
		91F10	1		O-RING
		237698	1		SEAL-OIL
		91F7	2		O-RING
		245102	1		GASKET ϕ AVL!
		25K30020	1		"O" RING
		25K60116	1		O-RING
		232125	2		GASKET-HSG FOR COVER ϕ AVL!
		230954	1		SEAL-DISC HSG OIL
		247614	1		GASKET-CONT VALVE ϕ AVL!

Ltr :
Date:
ECN :

Issued : sv

Rel : sv
Date: 31-DEC-04
ERN : 56310012

10-JUN-11

ENGINEERING PARTS LIST

Nr: 802303

Model: 32000

CONVERTER SECTION GASKET AND SEALING KIT - HR AND MHR FOR 32000

QTY SHOWN IS TO MAKE ONE OF THE NEXT HIGHER ASSEMBLY

REV	P	PART NUMBER	QTY	S/E	PARTNAME AND APPLICATION
		247615	1		GASKET-MOD HOUSING ϕ AVL!
		18C612	1		CAPSCREW

Ltr :
Date:
ECN :

Issued : sv

Rel : sv
Date: 31-DEC-04
ERN : 56310012



Part Stocking Recommendation

The table below is a minimum spare parts inventory recommendation designated by letter code in each Service Parts List. Each letter code indicates a percentage for determining stock quantities to support the field population. Any quantity less than 1 or partial quantities need not be stocked.

Letter Code	Percentage	Example
A	15%	Part quantity = 10 per unit Field Population = 240 units Recommended stock = $240 \text{ units} \times 10 \text{ per unit} \times .15 = 360 \text{ parts}$
B	10%	Part quantity = 4 per unit Field Population = 66 units Recommended stock = $66 \text{ units} \times 4 \text{ per unit} \times .10 = 26.4 \text{ or } 26 \text{ parts}$
C	6%	Part quantity = 2 per unit Field Population = 203 units Recommended stock = $203 \text{ units} \times 2 \text{ per unit} \times .06 = 24.4 \text{ or } 24 \text{ parts}$
D	4%	Part quantity = AR* Field Population = 42 units Recommended stock = $42 \text{ units} \times 3 \text{ per unit} \times .04 = 5.04 \text{ or } 5 \text{ parts}$
E	2%	Part quantity = 1 per unit Field Population = 75 units Recommended stock = $75 \text{ units} \times 1 \text{ per unit} \times .02 = 1.5 \text{ or } 1 \text{ part}$
*Part quantities denoted by "AR" (as required) should be ordered by a quantity of 3 per unit.		

© Copyright 2015 Dana Holding Corporation

All content is subject to copyright by Dana and may not be reproduced in whole or in part by any means, electronic or otherwise, without prior written approval.

THIS INFORMATION IS NOT INTENDED FOR SALE OR RESALE, AND THIS NOTICE MUST REMAIN ON ALL COPIES.

For product inquiries or support,
visit www.dana.com or call 419-887-6445

For other service publications,
visit www.SpicerParts.com/literature.asp

For online service parts ordering,
visit www.SpicerParts.com/order.asp



SPICER[®]

Off-Highway Products