



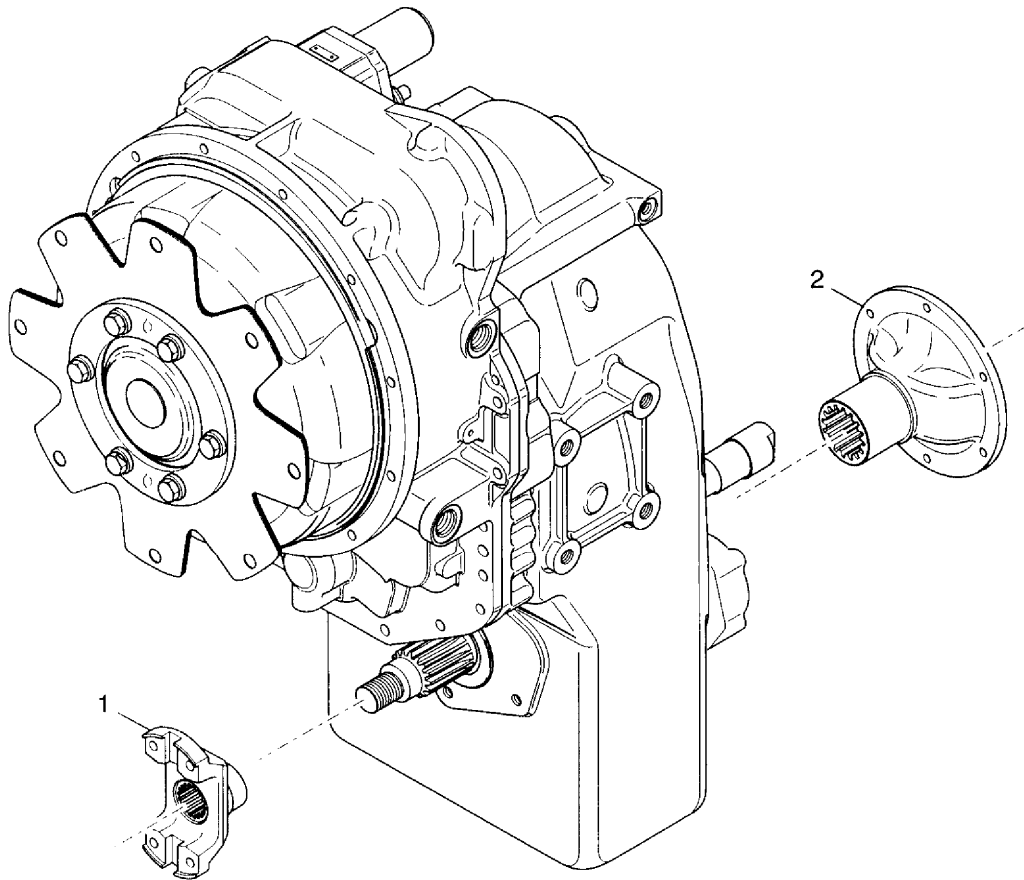
SPICER[®]
Off-Highway Products

Service Parts List

Transmission
1203FT20321-103
4264105

TPL-1144
May 2015

T20000 Series



GRP-T20-04 rev. 140302

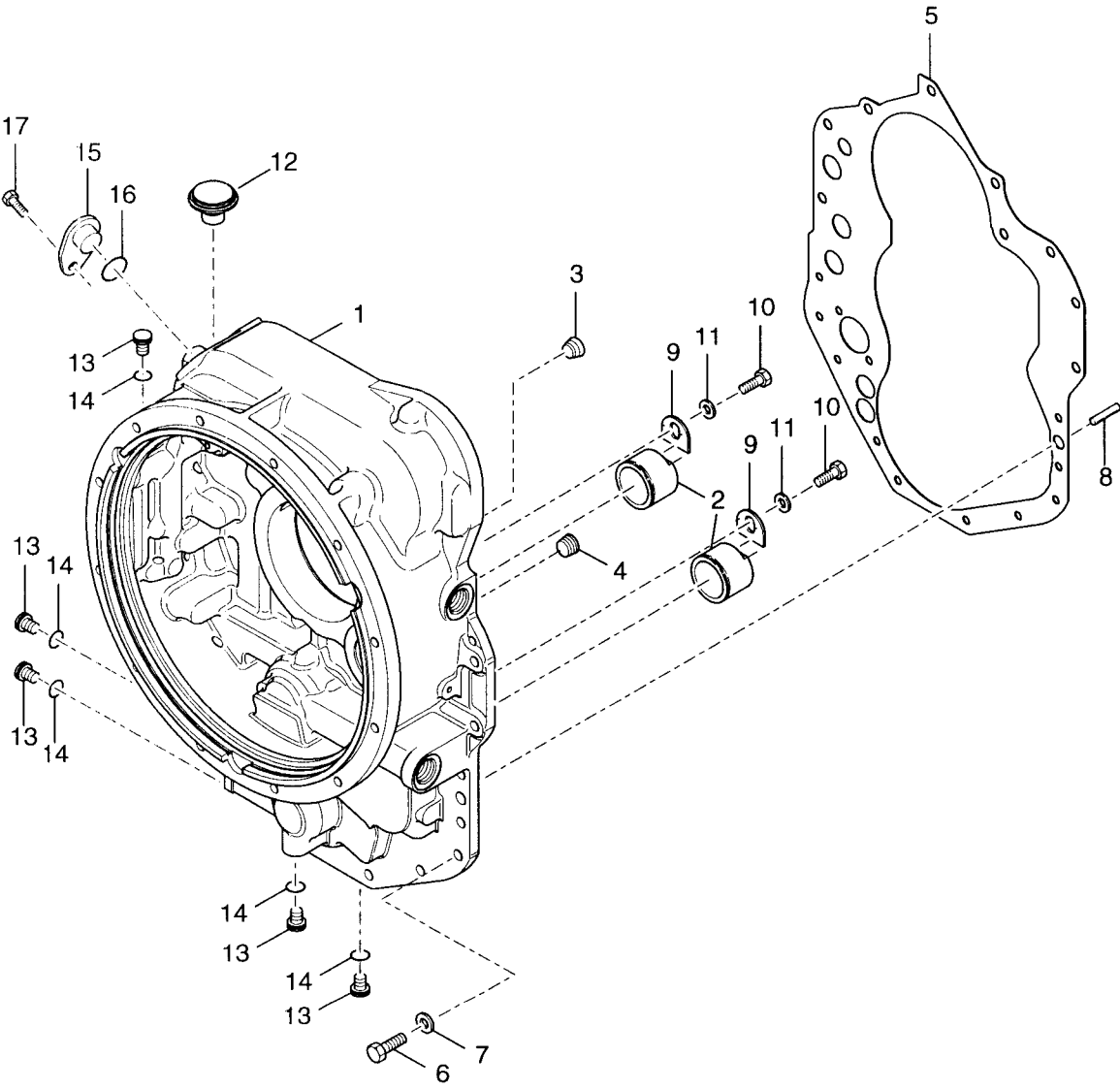
Date : 12-MAY-15
Revised :
MODEL : 4264105

1203FT20321-103
ASSY-T20000 TRANSMISSION FOR NORMET

<u>Item</u>	<u>Qty</u>	<u>Part Number</u>	<u>Description</u>
1	1	4200030	FLANGE-COMPANION GWB 387/30
2	1	4200030	FLANGE-COMPANION GWB 387/30

N.S.S. - Not Sold Separately
N.I. - Not Illustrated

T20000
GROUP CONVERTER HOUSING



Date : 12-MAY-15
Revised : B
MODEL : 4501189

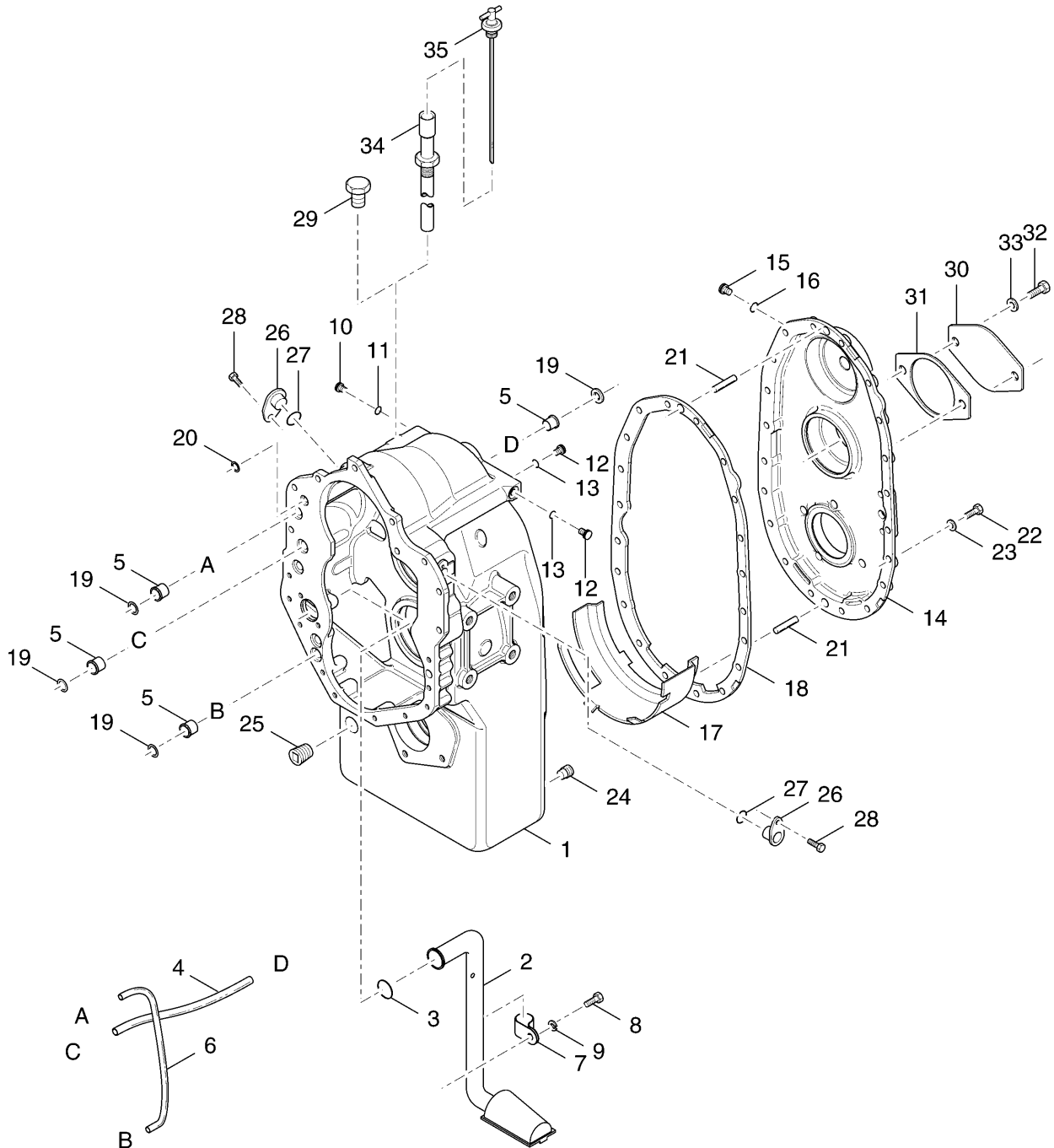
T20000
GROUP-CONVERTER HOUSING

<u>Item</u>	<u>Qty</u>	<u>Part Number</u>	<u>Description</u>
1	1	4205088	ASSY-CONVERTER HOUSING AND PLUG
2	2	248612	SLEEVE-CONVERTER HOUSING
3	1	11F8	PLUG-PIPE TEMP PICKUP
4	1	239244	PLUG-PIPE
5	1	4205090	GASKET-CONV HSG TO TRANS CASE
6	18	17C720	SCREW-CONV HSG TO TRANS CASE
7	18	4E7	LOCKWASHER-CONV HSG TO TRANS CA
8	1	4203907	PIN-CONV HSG TO TRANS CASE DOWE
9	2	230851	CLIP
10	2	1C510	SCREW-CLIP
11	2	4E5	LOCKWASHER-CLIP SCREW
12	1	238535	AIR-BREATHER
13	5	47K5	PLUG - INCLUDING ITEM 14
14	5	91F5	"O" RING - PLUG - PART OF ITEM 13
15	1	4202489	PLUG-SPEED SENSOR PORT
16	1	4203422	"O" RING-SPEED SENSOR
17	1	3GM612	SCREW-SPEED SENSOR

N.S.S. - Not Sold Separately
N.I. - Not Illustrated

T20000

CASE & REAR COVER GROUP



Date : 12-MAY-15
Revised : G
MODEL : 4501190

T20000
GROUP-TRANSMISSION CASE & COVER

<u>Item</u>	<u>Qty</u>	<u>Part Number</u>	<u>Description</u>
1	1	4205091	ASSY-TRANSM. CASE -INCL. ITEMS 2 THRU 9
2	1	4205093	ASSY-SUCTION TUBE
3	1	4205097	O RING-SUCTION TUBE ASSEMBLY
4	1	234157	TUBE-LOW CLUTCH
5	4	222067	SLEEVE-PRESSURE & LUBRICATION TUBE
6	1	4205098	TUBE-3RD CLUTCH PRESSURE
7	1	6H42	CLIP-CLOSED - PART OF ITEM 2
8	1	1C712	SCREW-TUBE CLIP
9	1	4E7	LOCKWASHER-TUBE CLIP SCREW
10	1	47K5	PLUG-INCLUDING ITEM 11
11	1	91F5	"O" RING-PLUG-PART OF ITEM 10
12	2	47K6	PLUG-INCLUDING ITEM 13
13	2	91F6	"O" RING-PLUG-PART OF ITEM 12
14	1	4205099	ASSY-REAR COVER & PLUG-INCLUDING ITEM 15
15	1	47K5	PLUG-INCLUDING ITEM 16
16	1	91F5	"O" RING-PLUG-PART OF ITEM 15
17	1	4205472	OIL-BAFFLE
18	1	4205101	GASKET-TRANS CASE TO REAR COVER
19	4	60K40026	"O" RING-CLUTCH PRESSURE TUBE
20	1	60K30018	"O" RING-CLUTCH PRESSURE
21	2	4203907	PIN-TRANS CASE TO REAR COVER DOWEL
22	20	17C728	SCREW-REAR COVER TO TRANS CASE
23	20	4E7	LOCKWASHER-REAR COVER TO CASE SCREW
24	2	215757	PLUG-MAGNETIC DRAIN
25	1	11F16	PLUG-DRAIN BACK HOLE

N.S.S. - Not Sold Separately
N.I. - Not Illustrated

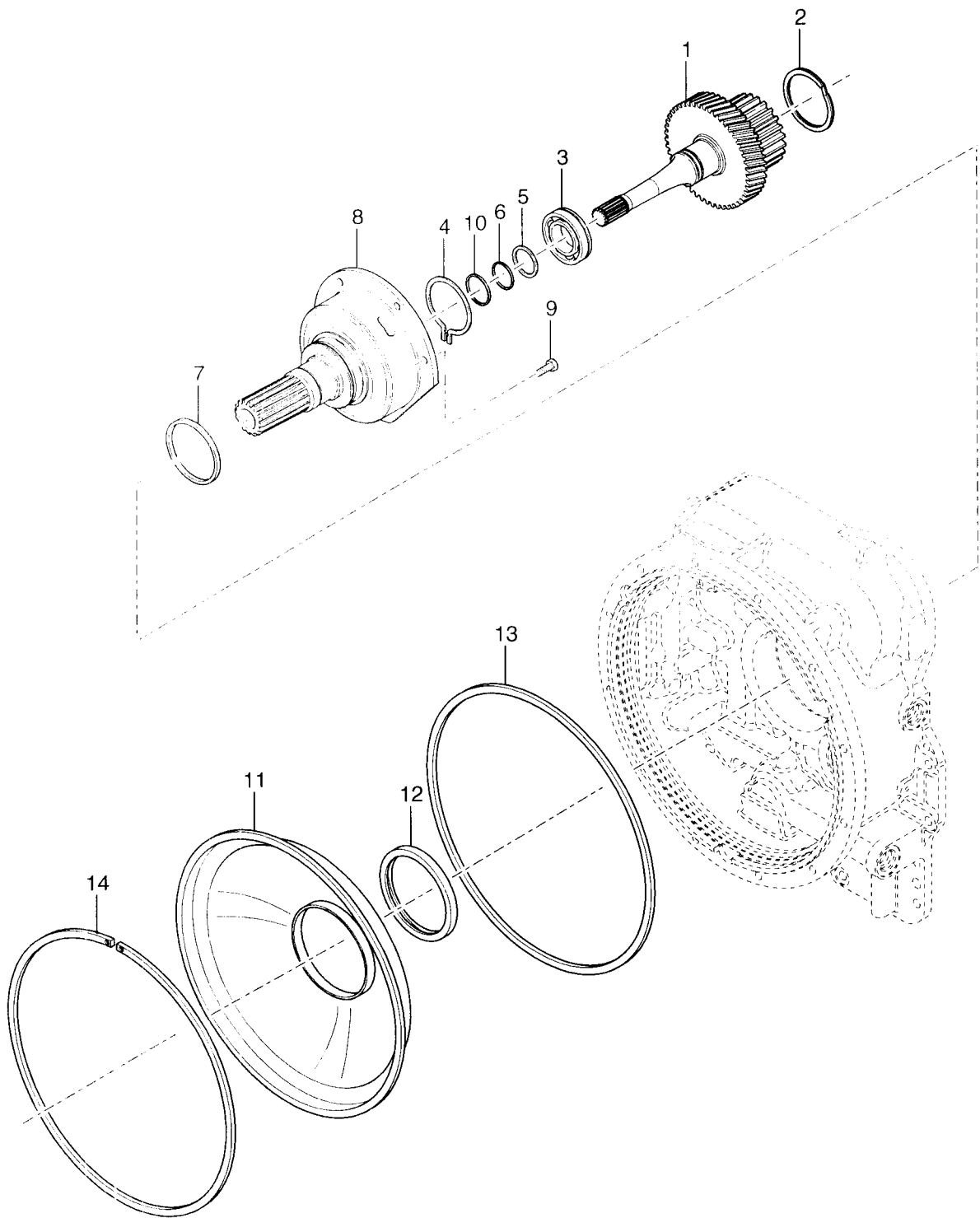
Date : 12-MAY-15
Revised : G
MODEL : 4501190

T20000
GROUP-TRANSMISSION CASE & COVER

<u>Item</u>	<u>Qty</u>	<u>Part Number</u>	<u>Description</u>
26	2	4202489	PLUG-SPEED SENSOR PORT
27	2	4203422	"O"-RING-SPEED SENSOR
28	2	3GM612	SCREW-SPEED SENSOR
29			Not Used On This Model
30	1	219430	COVER-PUMP ADAPTOR
31	1	232640	GASKET-COVER
32	2	1C612	SCREW-COVER
33	2	4E6	LOCKWASHER-COVER SCREW
34	1	236669	ASSY-DIPSTICK TUBE
35	1	242603	DIPSTICK

N.S.S. - Not Sold Separately
N.I. - Not Illustrated

T20000 GROUP TURBINE SHAFT



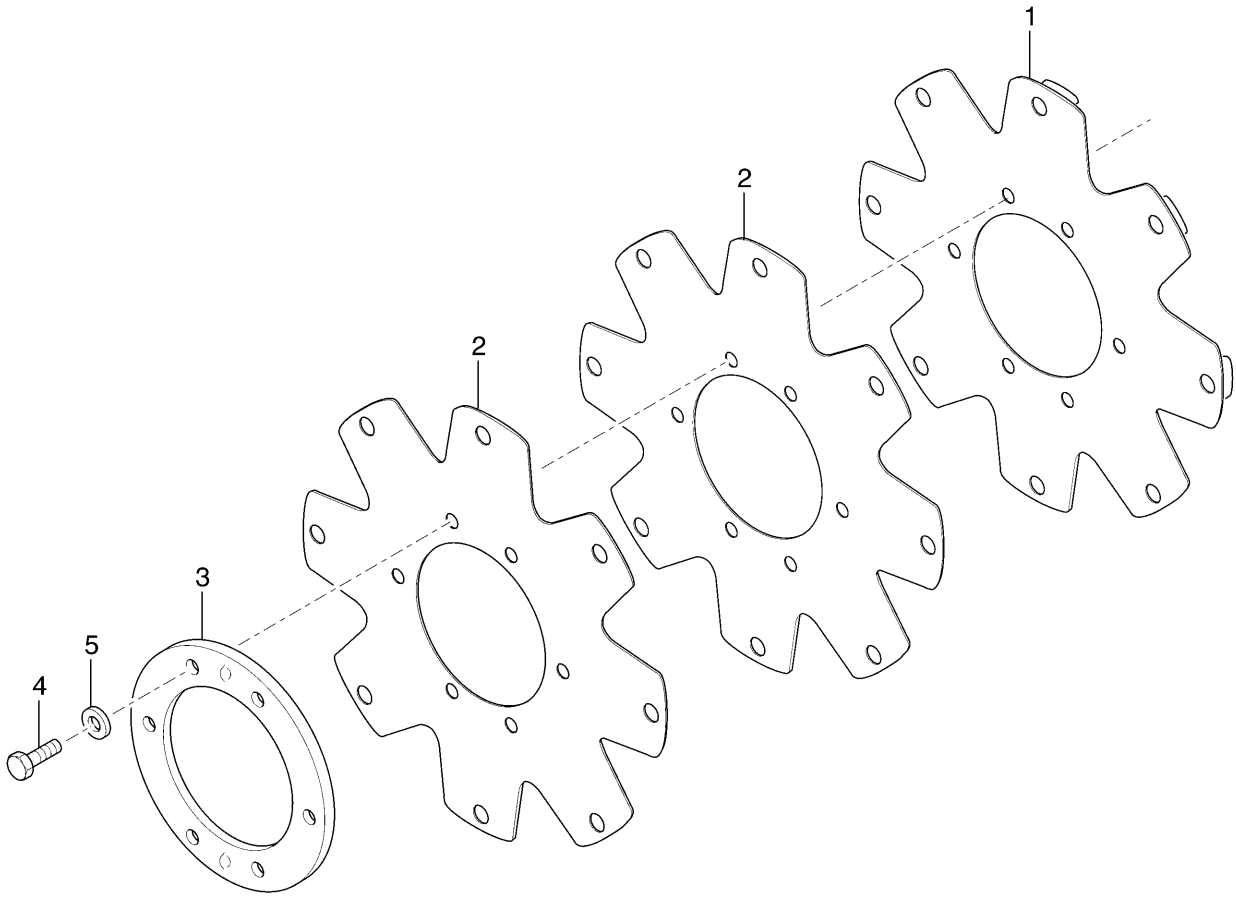
Date : 12-MAY-15
Revised :
MODEL : 4501191

T20000
GROUP-TURBINE SHAFT

<u>Item</u>	<u>Qty</u>	<u>Part Number</u>	<u>Description</u>
1	1	4205762	ASSY-TURBINE SHAFT,HUB & RET.RING-INCL.ITEM 2
2	1	240617	RING-RETAINING - PART OF ITEM 1
3	1	4205105	BEARING-BALL
4	1	234229	SNAP RING-BEARING
5	1	234230	WASHER-BEARING SUPPORT
6	1	231776	RING-BEARING RETAINING
7	1	4205235	RING-PISTON
8	1	4205236	SUPPORT-STATOR
9	6	241308	SCREW-STATOR SUPPORT
10	1	250219	RING-PISTON
11	1	242831	ASSY-OIL BAFFLE & SEAL - INCLUDING ITEM 12
12	1	4204710	SEAL-OIL BAFFLE - PART OF ITEM 11
13	1	241237	RING-OIL BAFFLE SEAL
14	1	245787	RING-OIL BAFFLE RETAINING

N.S.S. - Not Sold Separately
N.I. - Not Illustrated

T20000
DRIVE PLATE GROUP



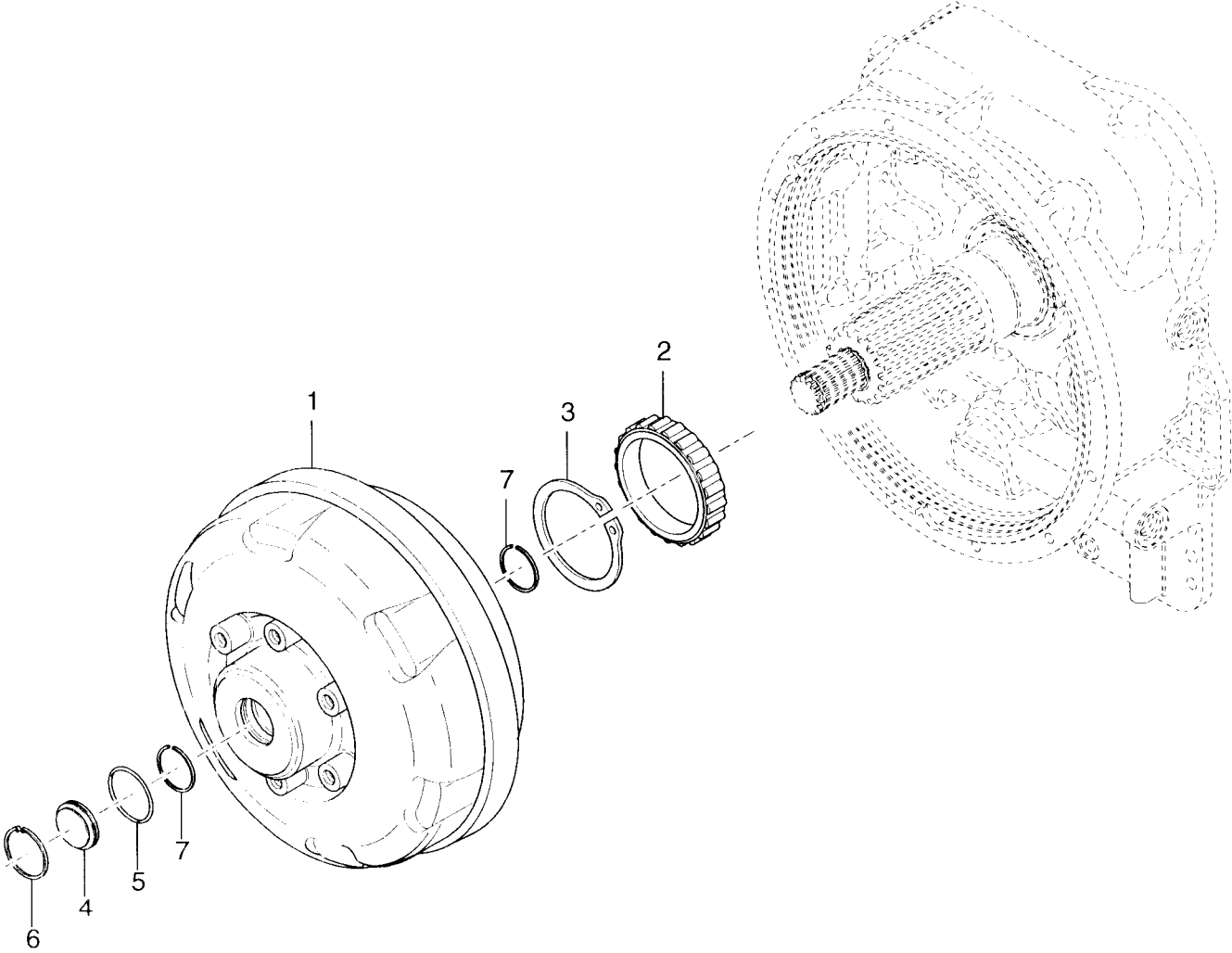
Date : 12-MAY-15
Revised :
MODEL : 4501192

T20000
GROUP-DRIVE PLATE

<u>Item</u>	<u>Qty</u>	<u>Part Number</u>	<u>Description</u>	
1			Not Used On This Model	
2	3	N.S.S.	PLATE-DRIVE - INCLUDING IN ITEM 6	
3	1	4205107	RING-DRIVE PLATE BACKING	
4	6	1CM1016	CAPSCREW	
5	6	6EM100	LOCKWASHER-DRIVE PLATE MTG	
	1	814981	KIT - DRIVE PLATE - INCL. ITEMS 2 THRU 5	N.I.

N.S.S. - Not Sold Separately
N.I. - Not Illustrated

T20000
GROUP TORQUE CONVERTER



Date : 12-MAY-15
Revised :
MODEL : 4501286

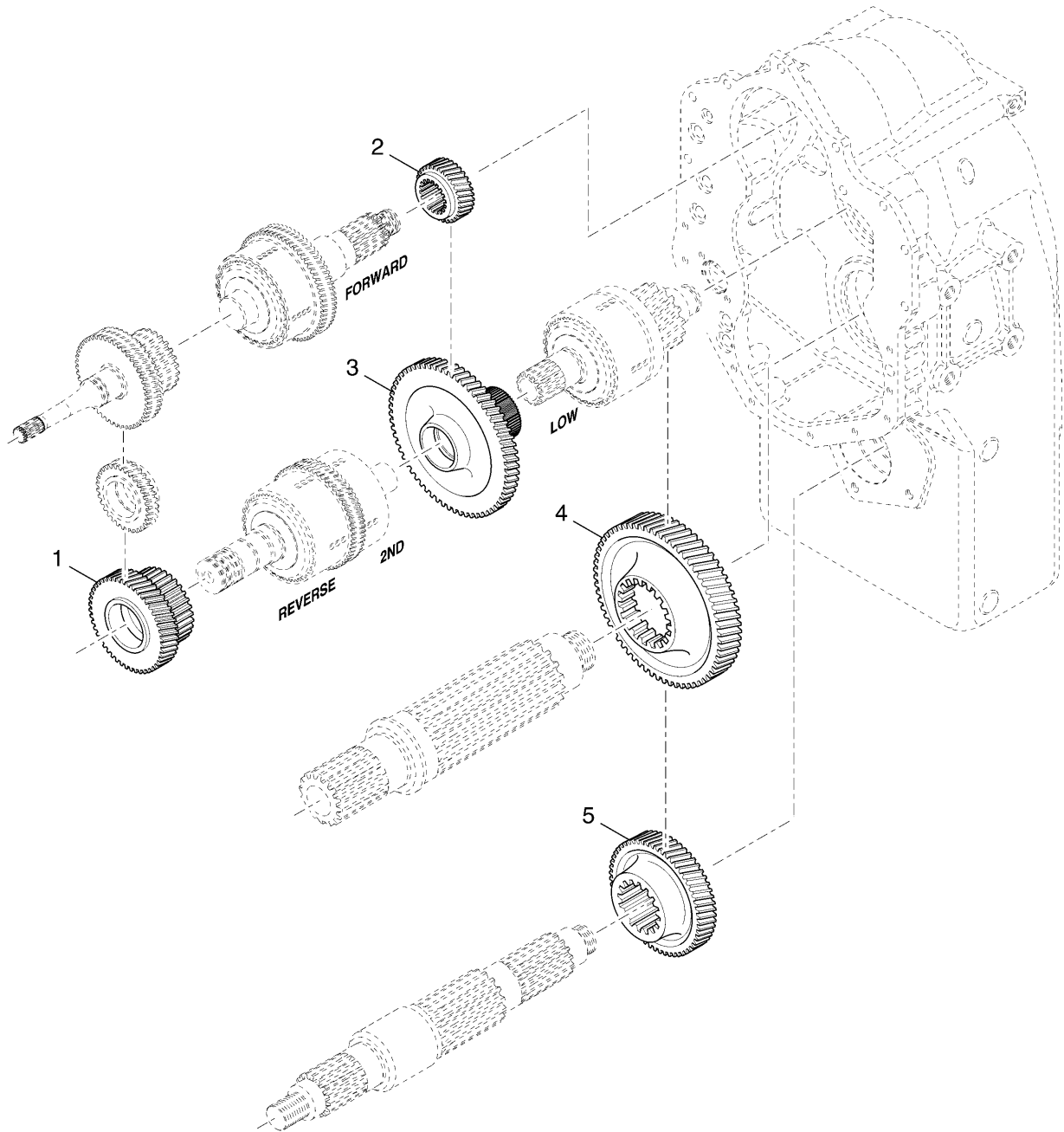
T20000
GROUP-TORQUE CONVERTER ASSY 1203F

<u>Item</u>	<u>Qty</u>	<u>Part Number</u>	<u>Description</u>
1	1	4205112	ASSY-TORQUE CONVERTER 1203F
2	1	238391	BEARING-IMPELLER HUB GEAR
3	1	5JM45	RING-EXTERNAL SNAP
4	1	223015	PLUG-TORQUE CONVERTER
5	1	60K30114	"O" RING-TORQUE CONVERTER PLUG
6	1	246354	RING-SNAP
7	2	4205114	RING-TURBINE RETAINING

N.S.S. - Not Sold Separately
N.I. - Not Illustrated

T20000

GEAR GROUP



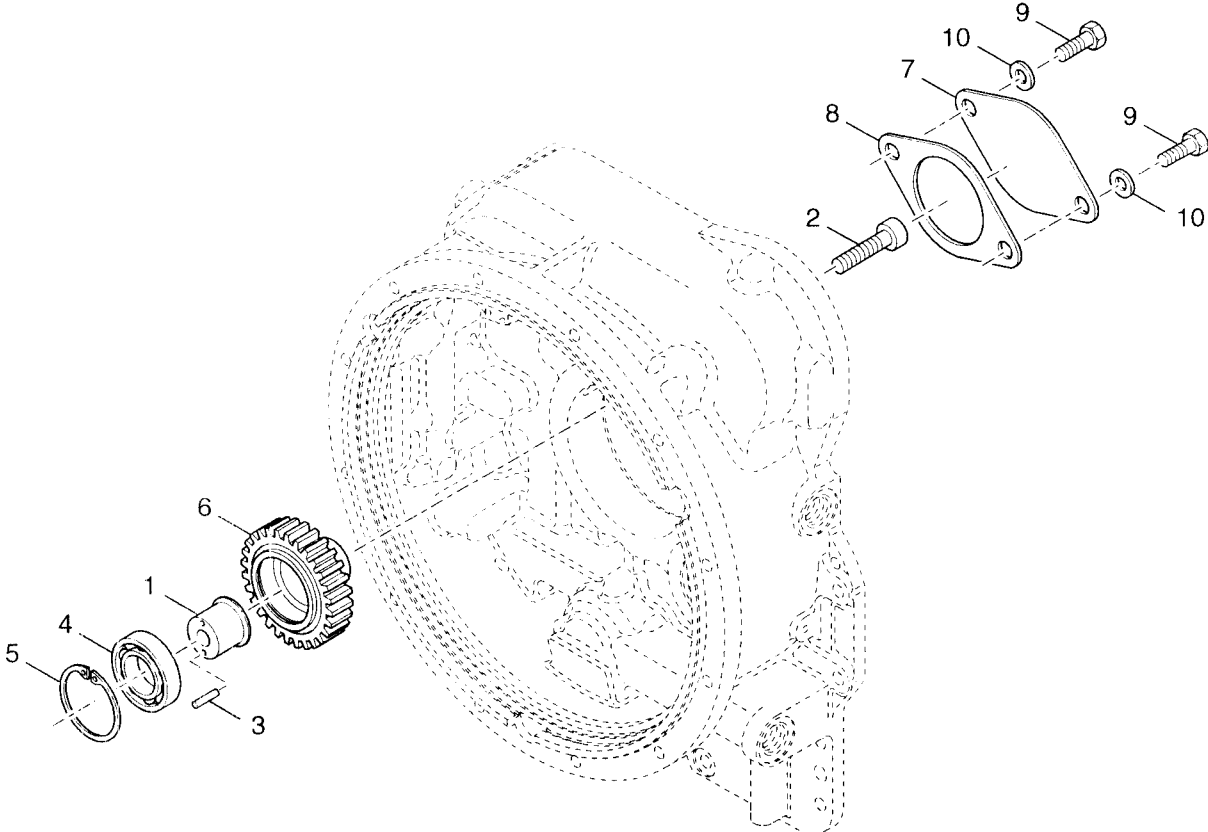
Date : 12-MAY-15
Revised :
MODEL : 4501235

T20000
GROUP-GEAR

<u>Item</u>	<u>Qty</u>	<u>Part Number</u>	<u>Description</u>	
1	1	4205115	GEAR-REVERSE CLUTCH	43T
2	1	4205225	GEAR-1ST DRIVE	29T
3	1	4205227	GEAR-LOW CLUTCH	63T
4	1	4205118	GEAR-IDLER	51T
5	1	4205229	GEAR-OUTPUT	41T

N.S.S. - Not Sold Separately
N.I. - Not Illustrated

T20000
GROUP AUXILIARY PUMP DRIVE



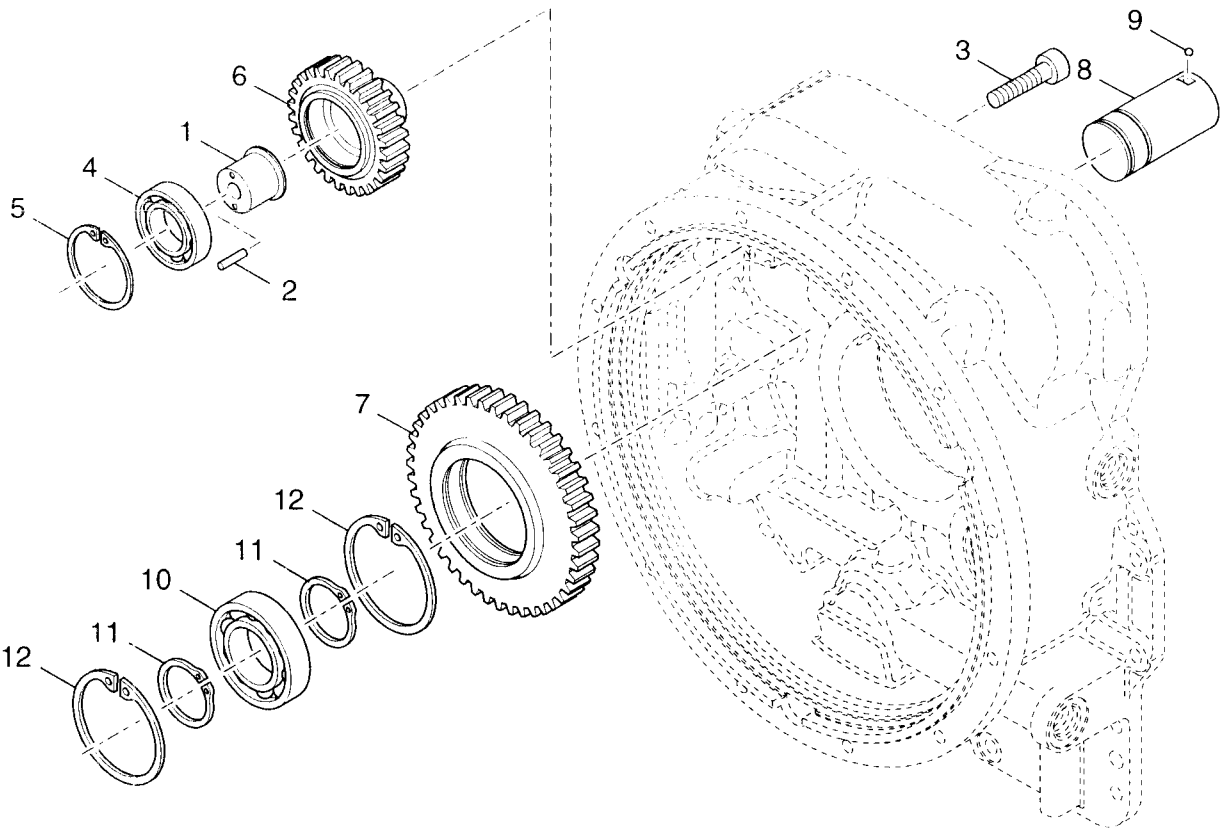
Date : 12-MAY-15
Revised :
MODEL : 4501195

T20000
GROUP-PUMP DRIVE SAE B AUXILIARY

<u>Item</u>	<u>Qty</u>	<u>Part Number</u>	<u>Description</u>	
1	1	4205121	SUPPORT-PUMP DRIVE BEARING	
2	1	73G828	SCREW-BEARING SUPPORT	
3	1	4205122	PIN-BEARING SUPPORT	
4	1	225953	BEARING-BALL	
5	1	223878	RING-DRIVE GEAR BEARING RETAINING	
6	1	4205123	GEAR-AUX PUMP DRIVE	37T
7	1	3614642	COVER-PUMP MOUNTING PERMANENT	
8	1	4205272	GASKET-PUMP MOUNTING	
9	2	1C816	SCREW-PUMP MOUNTING PERMANENT COVER	
10	2	4E8	LOCKWASHER-PUMP COVER SCREW	

N.S.S. - Not Sold Separately
N.I. - Not Illustrated

T20000
GROUP PUMP DRIVE



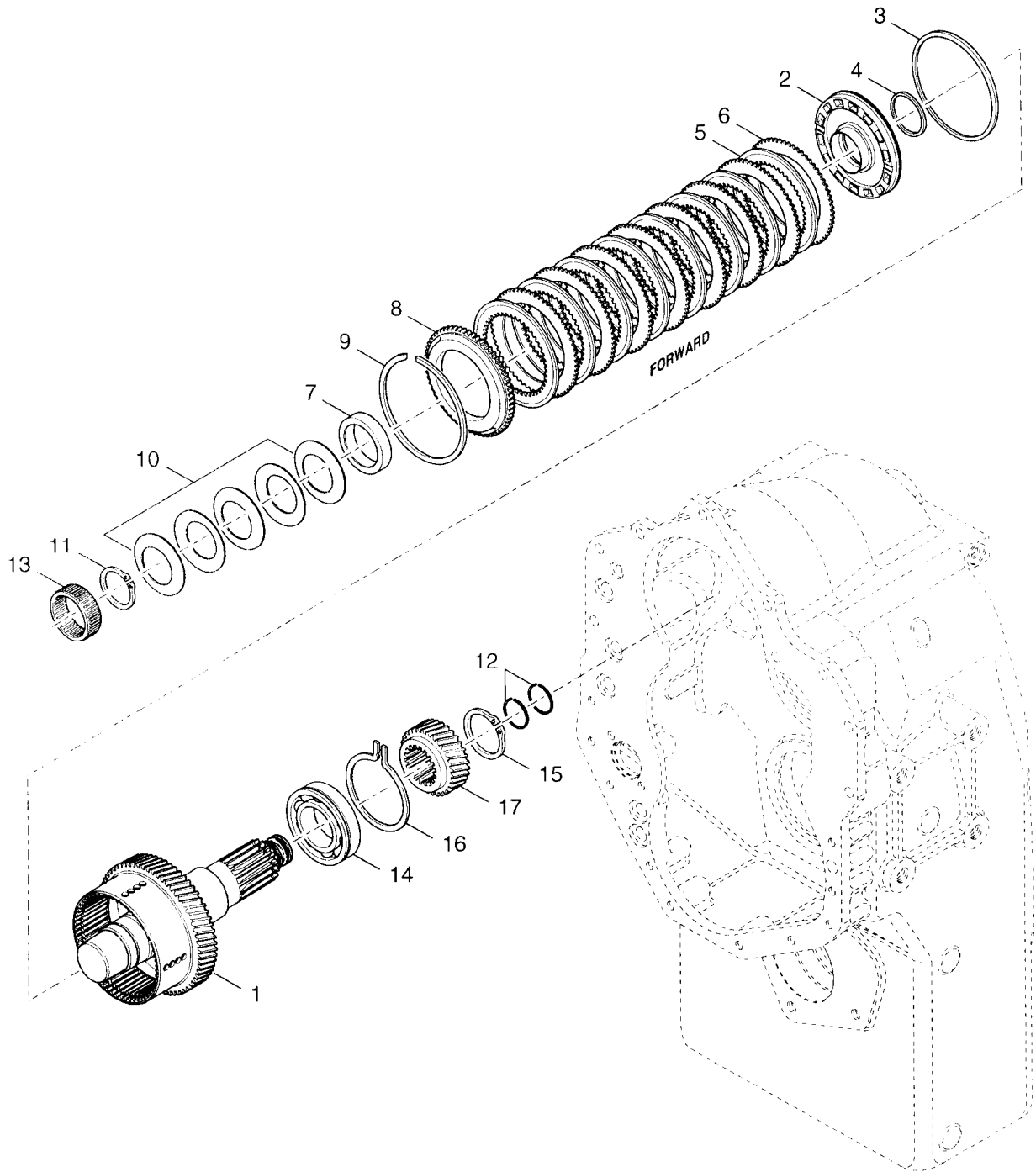
Date : 12-MAY-15
Revised :
MODEL : 4501196

T20000
GROUP-PUMP DRIVE CHARGING

<u>Item</u>	<u>Qty</u>	<u>Part Number</u>	<u>Description</u>	
1	1	4205121	SUPPORT-PUMP DRIVE BEARING	
2	1	4205122	PIN-BEARING SUPPORT	
3	1	73G828	SCREW-BEARING SUPPORT	
4	1	225953	BEARING-BALL	PUMP DR
5	1	223878	RING-DRIVE GEAR BEARING RETAINING	
6	1	4205124	GEAR-CHARGING PUMP DRIVE	-37T-
7	1	4205125	GEAR-PUMP DRIVE IDLER	-55T-
8	1	238215	SHAFT-IDLER GEAR STUB	
9	1	10J8	BALL-IDLER SHAFT LOCK	
10	1	235057	BEARING-BALL	PUMP ID
11	2	234908	RING-IDLER GEAR BEARING LOCATING	
12	2	223964	RING-IDLER GEAR BEARING RET.	

N.S.S. - Not Sold Separately
N.I. - Not Illustrated

T20000 GROUP FORWARD SHAFT



Date : 12-MAY-15
Revised : C
MODEL : 4502715

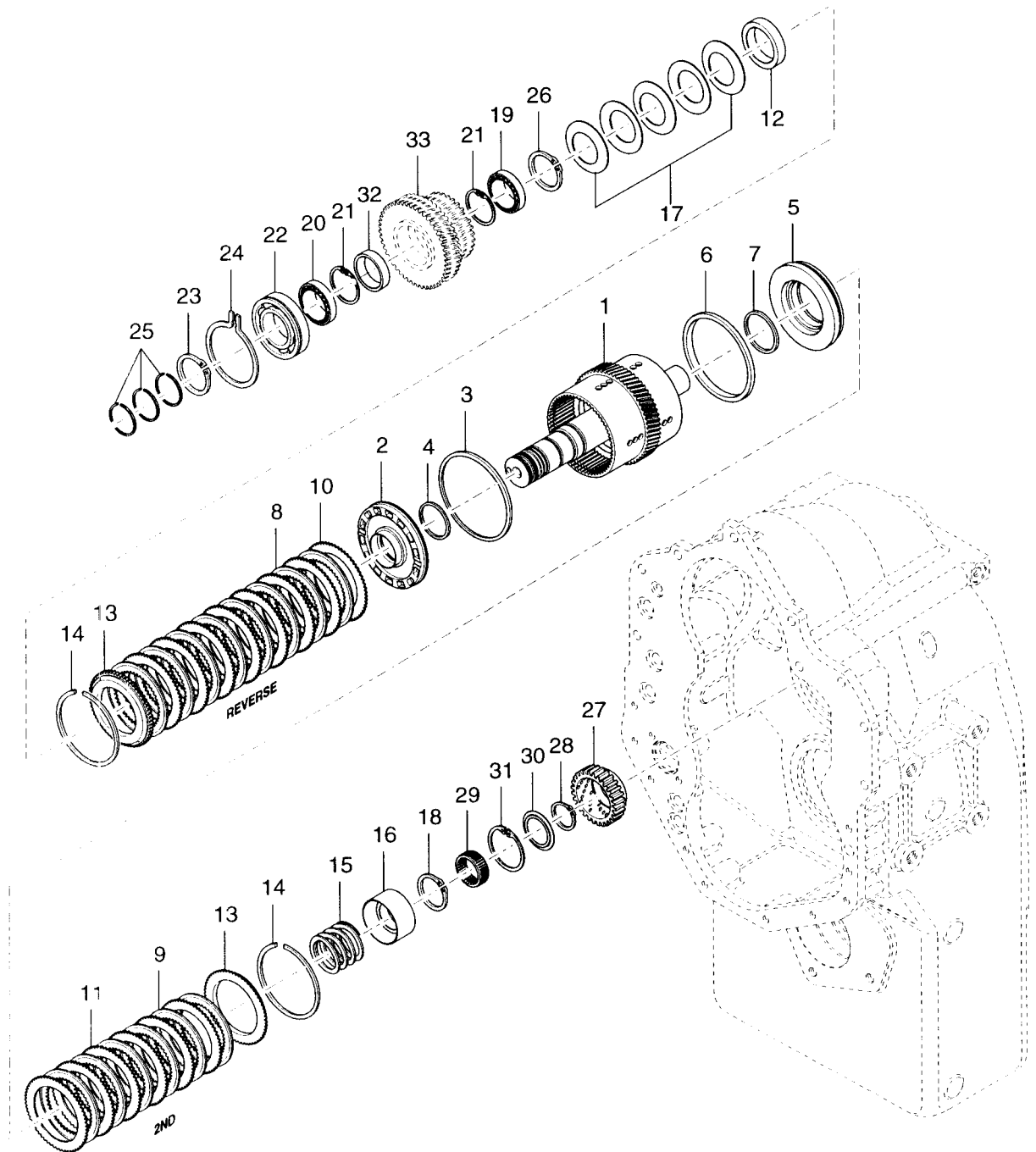
T20000
GROUP-FORWARD SHAFT

<u>Item</u>	<u>Qty</u>	<u>Part Number</u>	<u>Description</u>
1	1	4209369	ASSY-FWD SHAFT, DRUM & PLUG
2	1	4204045	ASSY-CLUTCH PISTON AND SEALS-INCL.ITEMS 3 & 4
3	1	237032	SEAL-CLUTCH PISTON - OUTER - PART OF ITEM 2
4	1	234113	SEAL-CLUTCH PISTON - INNER - PART OF ITEM 2
5	8	237016	DISC-CLUTCH INNER
6	8	234109	DISC-CLUTCH OUTER
7	1	237442	SPACER-PISTON RETURN SPRING
8	1	4204253	END PLATE
9	1	234111	SNAP RING-BACKING PLATE
10	1	247656	ASSY-DISC SPRING - INCLUDING 5 WASHERS
11	1	237669	SNAP RING-SPRING RETAINING
12	2	4208098	PISTON-RING
13	1	235763	BEARING-FORWARD SHAFT PILOT
14	1	4205132	BEARING-BALL FWD SHAFT REA
15	1	238034	RING-GEAR RETAINING
16	1	4205133	RING-BEARING RETAINING
17			GEAR - 1ST DRIVE - SEE GEAR GROUP

N.S.S. - Not Sold Separately
N.I. - Not Illustrated

T20000

REVERSE AND 2ND SHAFT GROUP



Date : 12-MAY-15
Revised : D
MODEL : 4502716

T20000
GROUP-REVERSE & 2ND SHAFT

<u>Item</u>	<u>Qty</u>	<u>Part Number</u>	<u>Description</u>
1	1	4209373	ASSY-REV & 2ND SHAFT, DRUM & PLUG
2	1	4204045	ASSY-CLUTCH PISTON AND SEALS-INCL.ITEMS 3 & 4
3	1	237032	SEAL-CLUTCH PISTON - OUTER -PART OF ITEM 2
4	1	234113	SEAL-CLUTCH PISTON - INNER - PART OF ITEM 2
5	1	4207175	ASSY-CL PISTON,BALL,SEAT&SEALS-INCL.ITEMS 6&7
6	1	237032	SEAL-CLUTCH PISTON - OUTER -PART OF ITEM 5
7	1	234113	SEAL-CLUTCH PISTON - INNER - PART OF ITEM 5
8	8	237016	DISC-CLUTCH INNER REV CLUTCH
9	6	237016	DISC-CLUTCH INNER 2ND CLUTCH
10	8	234109	DISC-CLUTCH OUTER REV CLUTCH
11	6	234109	DISC-CLUTCH OUTER 2ND CLUTCH
12	1	237442	SPACER-PISTON RETURN SPRING REV CLUTCH
13	2	4204253	END PLATE
14	2	234111	SNAP RING-BACKING PLATE
15	1	235960	SPRING-PISTON RETURN 2ND CLUTCH
16	1	235959	RETAINER-SPRING 2ND CLUTCH
17	1	247656	ASSY-DISC SPRING - INCLUDING 5 WASHERS
18	1	234350	SNAP RING-SPRING RETAINING 2ND CLUTCH
19	1	230829	BEARING-CLUTCH DRIVEN GEAR
20	1	233389	BEARING-CLUTCH DRIVEN GEAR
21	2	234141	RING-REV CLUTCH GEAR BEARING
22	1	241606	BEARING-BALL FRONT
23	1	247949	RING-FRONT BEARING RETAINING
24	1	230889	SNAP RING-FRONT BEARING
25	3	4208098	PISTON-RING

N.S.S. - Not Sold Separately
N.I. - Not Illustrated

Date : 12-MAY-15
Revised : D
MODEL : 4502716

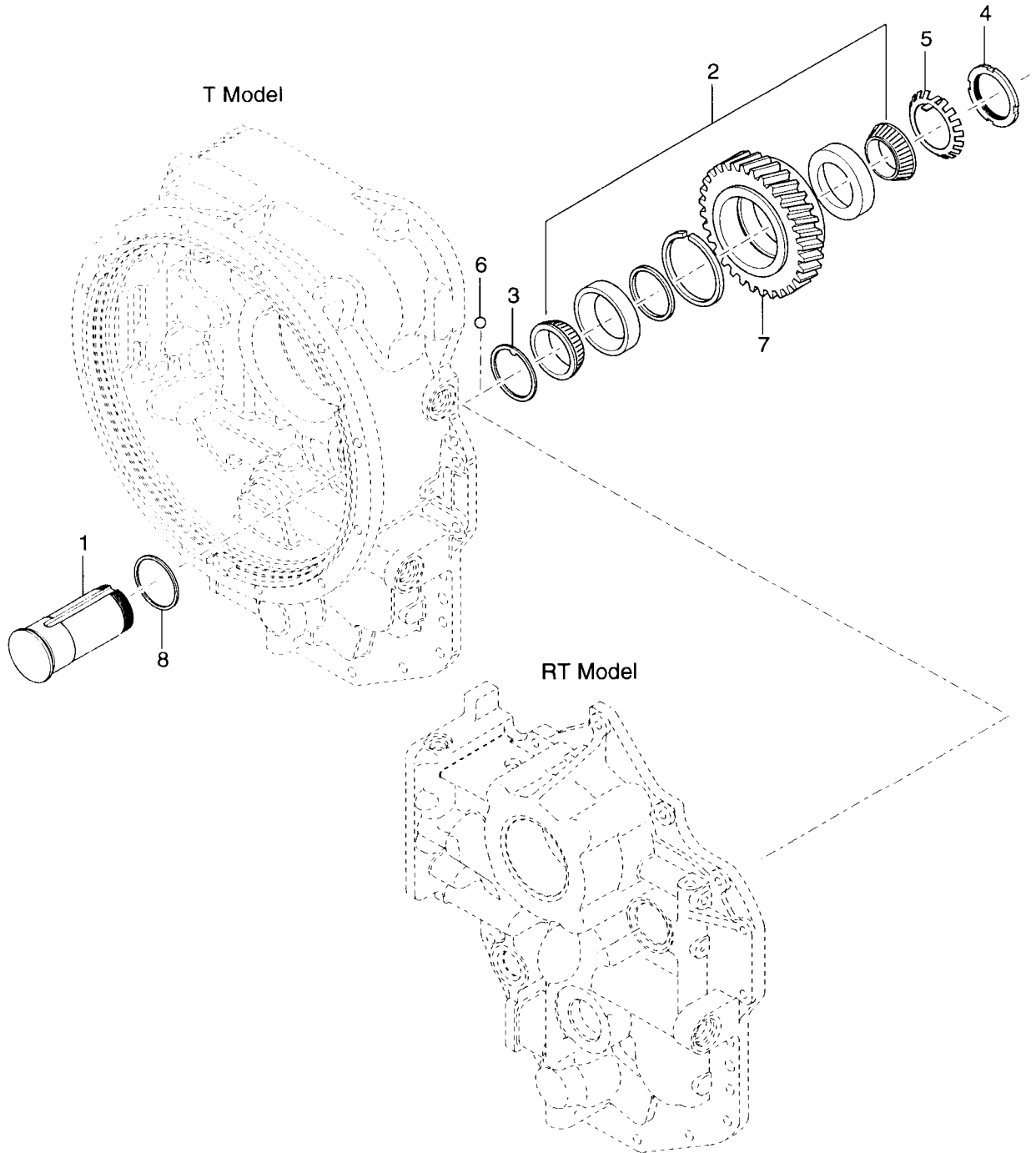
T20000
GROUP-REVERSE & 2ND SHAFT

<u>Item</u>	<u>Qty</u>	<u>Part Number</u>	<u>Description</u>
26	1	237669	SNAP RING-SPRING RETAINING
27	1	4205140	HUB-2ND CLUTCH
28	1	234350	RING-2ND CLUTCH DISC HUB RETAINING
29	1	233066	BEARING-NEEDLE REAR
30	1	241313	RETAINER-RETAINING RING
31	1	241603	RING-RETAINER LOCATING
32	1	4205141	SPACER-REVERSE CLUTCH GEAR
33			GEAR - REVERSE CLUTCH - SEE GEAR GROUP

N.S.S. - Not Sold Separately
N.I. - Not Illustrated

T20000

REVERSE IDLER GROUP



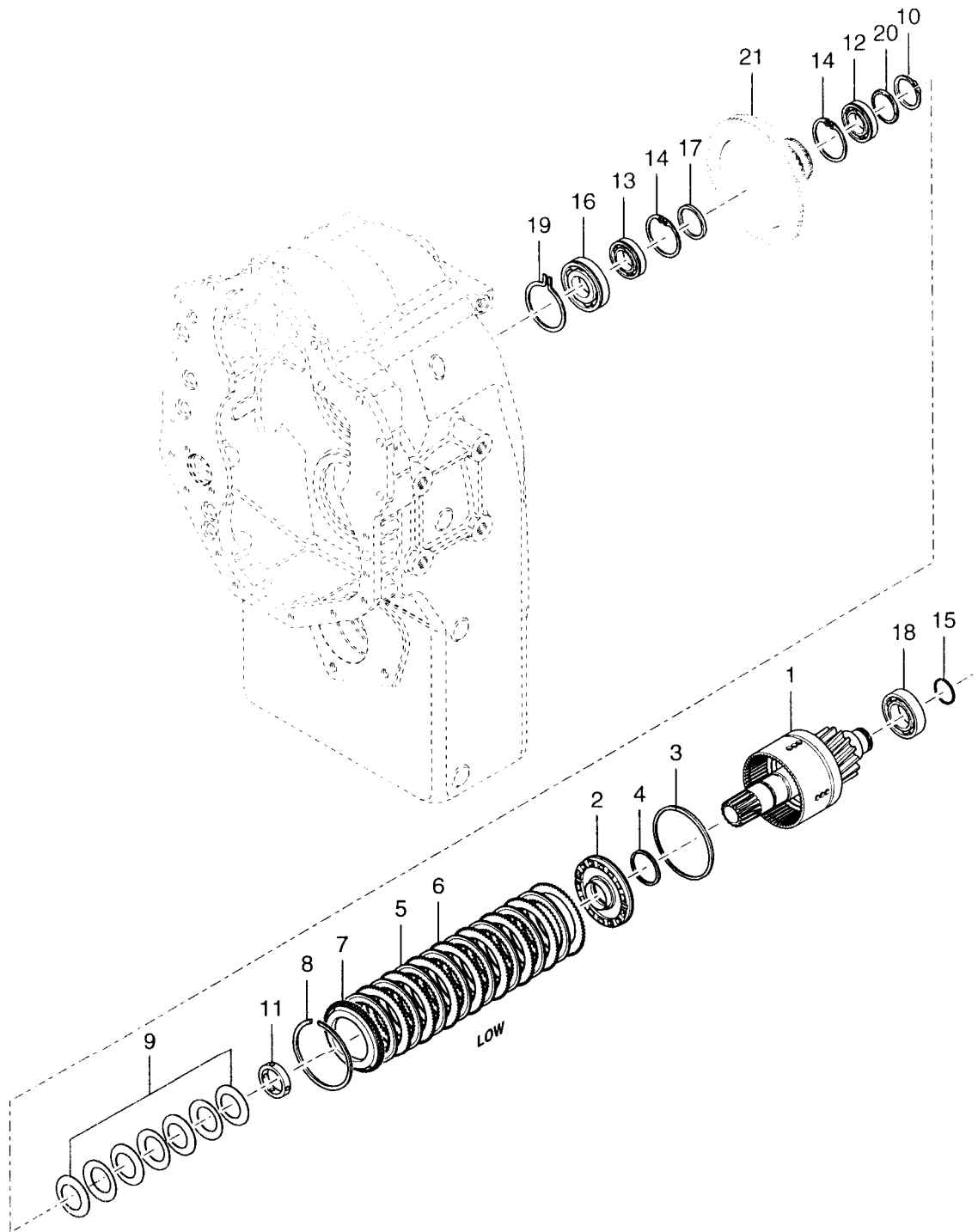
Date : 12-MAY-15
Revised :
MODEL : 4501198

T20000
GROUP-REVERSE IDLER

<u>Item</u>	<u>Qty</u>	<u>Part Number</u>	<u>Description</u>	
1	1	4205237	SHAFT-REVERSE IDLER	
2	1	247664	ASSY-REVERSE IDLER GEAR BEARING	
3	1	4205134	WASHER	
4	1	24H9	NUT-BEARING RETAINING	
5	1	4221376	LOCKWASHER FOR BEARING LOCKNUT	
6	1	10J10	LOCKBALL-IDLER SHAFT	
7	1	4205179	GEAR-REVERSE IDLER	32T
8	1	76K223	"O" RING-IDLER SHAFT	

N.S.S. - Not Sold Separately
N.I. - Not Illustrated

T20000 GROUP LOW SPEED SHAFT



Date : 12-MAY-15
Revised : B
MODEL : 4501200

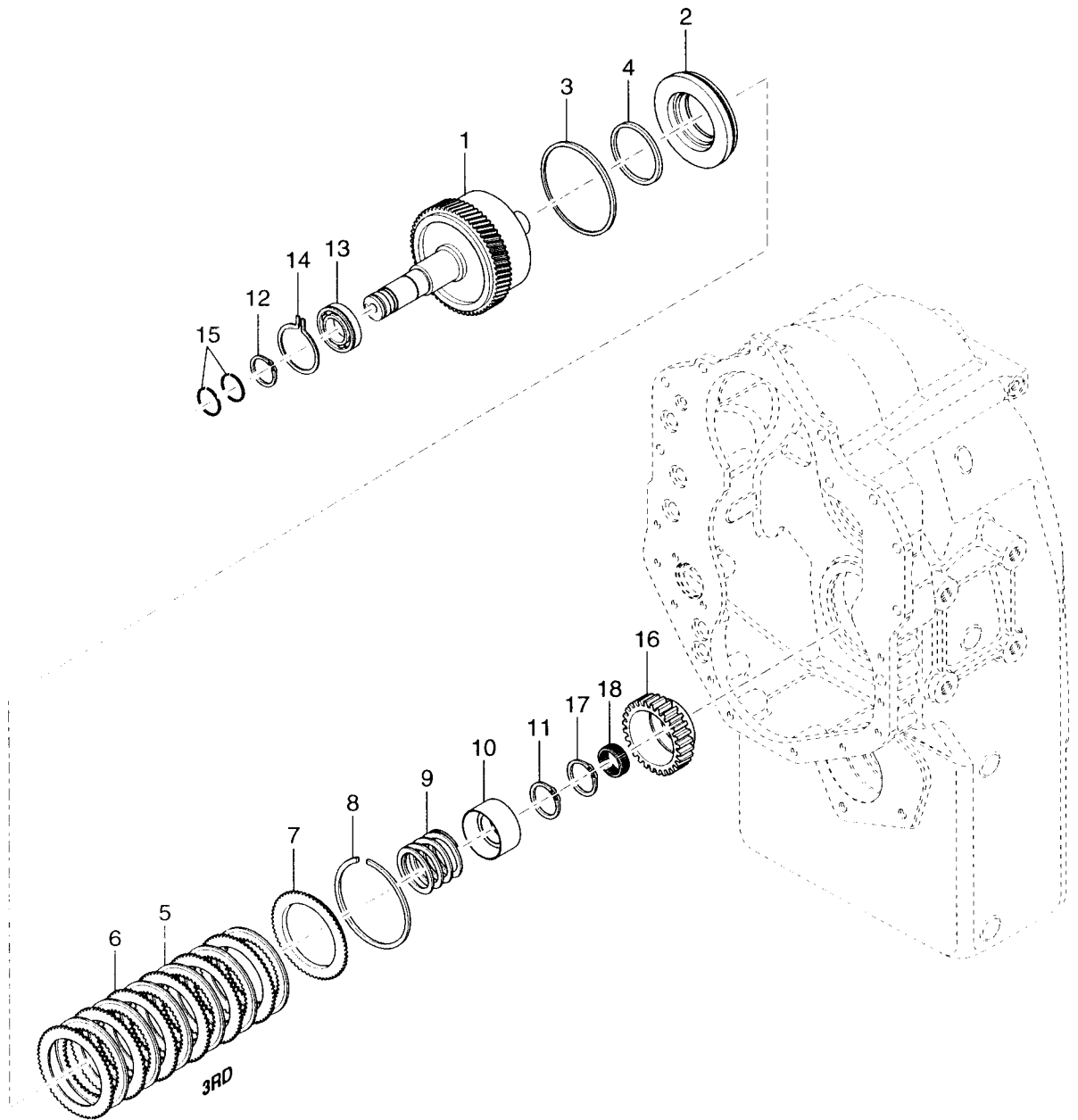
T20000
GROUP-LOW SPEED SHAFT

<u>Item</u>	<u>Qty</u>	<u>Part Number</u>	<u>Description</u>
1	1	4205142	ASSY-LOW SHAFT,HUB,DRUM & BLEED VALVE
2	1	4204050	ASSY-CLUTCH PISTON AND SEALS-INCL.ITEMS 3 & 4
3	1	237032	SEAL-CLUTCH PISTON - OUTER - PART OF ITEM 2
4	1	234113	SEAL-CLUTCH PISTON - INNER - PART OF ITEM 2
5	8	234336	DISC-CLUTCH INNER
6	8	234109	DISC-CLUTCH OUTER
7	1	4204253	END PLATE
8	1	234111	RING-BACKING PLATE RETAINING
9	1	247659	ASSY-DISC SPRING - INCLUDING 7 WASHERS
10	1	234350	SNAP RING-SPRING RETAINER
11	1	241317	SPACER-BELLEVILLE WASHER
12	1	230885	BEARING-LOW SPEED GEAR
13	1	241818	FRONT-LOW SPEED GEAR BEARING
14	2	223881	RING-LOW SPEED GEAR BRG LOCATING
15	1	250215	RING-LOW SHAFT PISTON
16	1	4205105	BEARING-BALL FRONT
17	1	241259	SPACER-LOW SPEED GEAR BEARING
18	1	4204258	BEARING-BALL REAR
19	1	234229	SNAP RING EXTERNAL-SPECIAL
20	1	248095	RETAINER-BELLEVILLE WASHER
21			GEAR - LOW CLUTCH - SEE GEAR GROUP

N.S.S. - Not Sold Separately
N.I. - Not Illustrated

T20000

3RD SHAFT GROUP



Date : 12-MAY-15
Revised : D
MODEL : 4501201

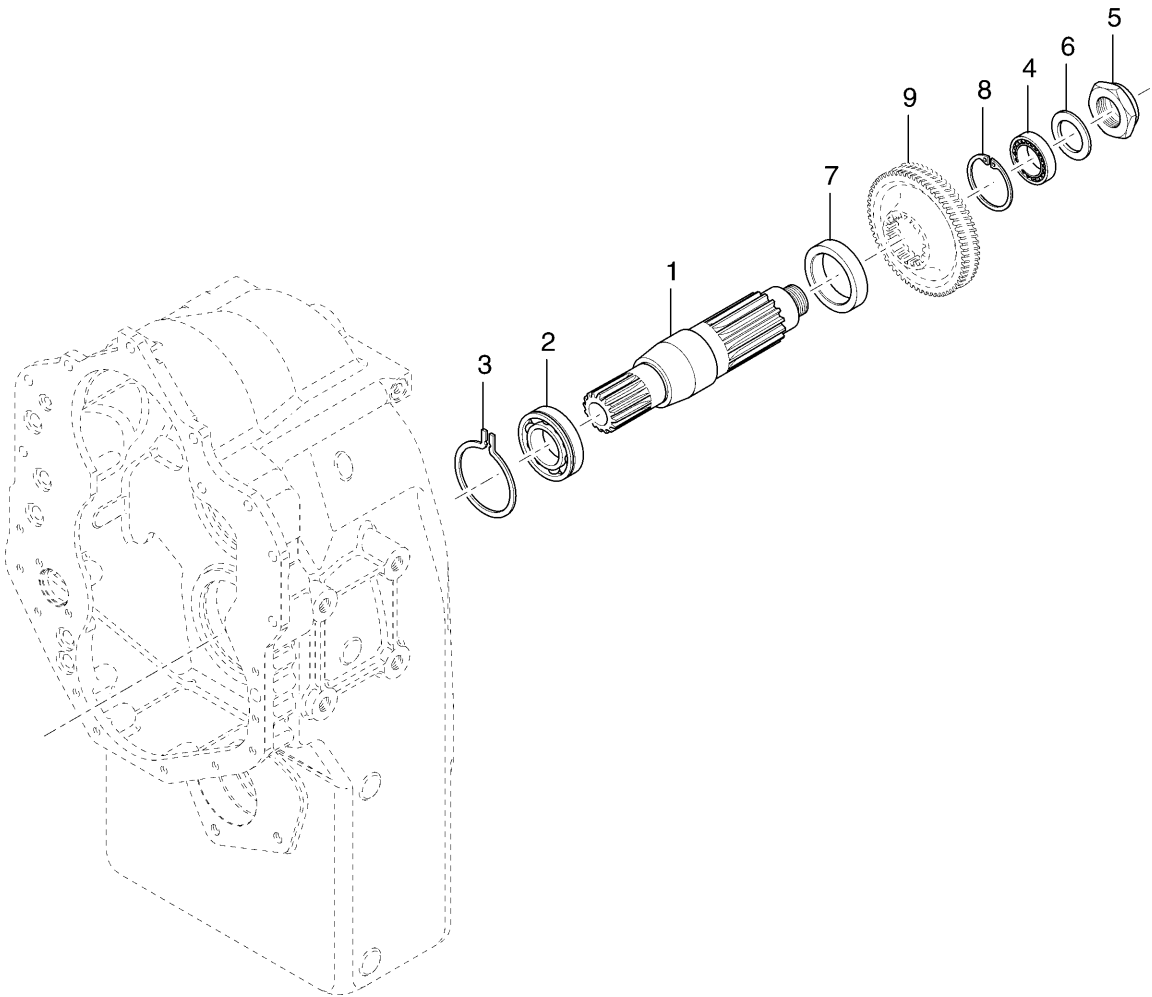
T20000
GROUP-3RD SHAFT

<u>Item</u>	<u>Qty</u>	<u>Part Number</u>	<u>Description</u>	
1	1	4209376	ASSY-3RD SHAFT,DRUM & PLUG	
2	1	4207175	ASSY-CL PISTON,BALL,SEAT&SEALS-INCL.ITEMS 3&4	
3	1	237032	SEAL-CLUTCH PISTON - OUTER - PART OF ITEM 2	
4	1	234113	SEAL-CLUTCH PISTON - INNER - PART OF ITEM 2	
5	6	237016	DISC-CLUTCH INNER	
6	6	234109	DISC-CLUTCH OUTER	
7	1	4204253	END PLATE	
8	1	234111	SNAP RING-BACKING PLATE	
9	1	235960	SPRING-PISTON RETURN	3RD CLUTC
10	1	235959	RETAINER-SPRING	3RD CLUTC
11	1	234350	SNAP RING-SPRING RETAINING	3RD CLUTC
12	1	247949	RING-FRONT BEARING RETAINING	
13	1	241606	BEARING-BALL	FRONT
14	1	230889	SNAP RING-FRONT BEARING	
15	2	4208098	PISTON-RING	
16	1	4203199	HUB-3RD CLUTCH	
17	1	234347	RING-3RD CLUTCH DISC HUB RETAINING	
18	1	233066	BEARING-NEEDLE	REAR

N.S.S. - Not Sold Separately
N.I. - Not Illustrated

T20000

IDLER SHAFT GROUP



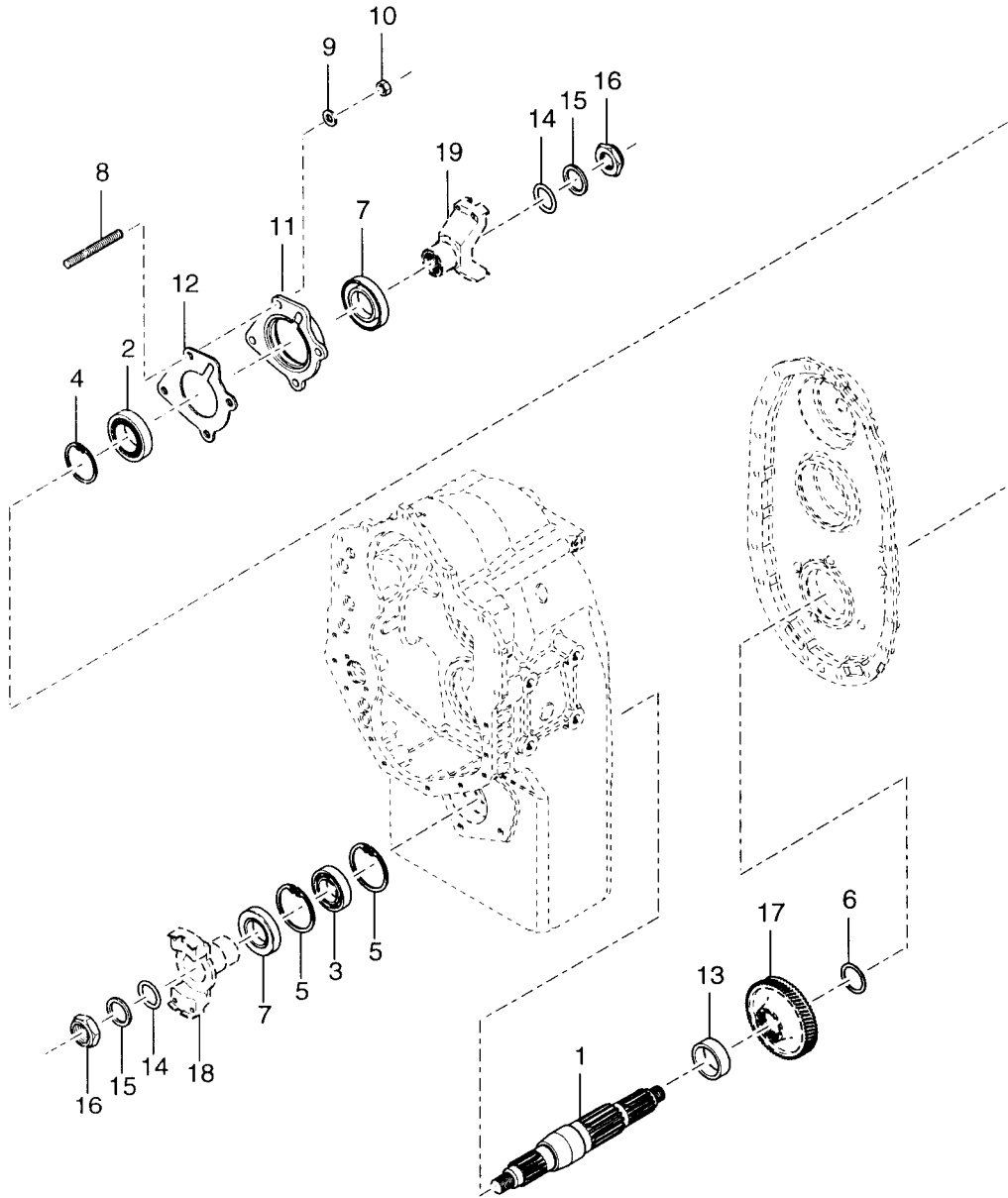
Date : 12-MAY-15
Revised : A
MODEL : 4501227

T20000
GROUP-IDLER SHAFT

<u>Item</u>	<u>Qty</u>	<u>Part Number</u>	<u>Description</u>	
1	1	4205207	SHAFT-IDLER	
2	1	4205105	BEARING-BALL	FRONT
3	1	234229	SNAP RING-BEARING	FRONT
4	1	4205151	BEARING-ROLLER	REAR
5	1	222960	NUT-BEARING	REAR
6	1	222179	WASHER-BEARING NUT	REAR
7	1	235910	SPACER-OUTPUT SHAFT GEAR	
8	1	214953	SNAP RING	
9			GEAR - IDLER - SEE GEAR GROUP	
	1	219430	COVER-PUMP ADAPTOR	N.I.
	1	246684	GASKET-SHIPPING COVER	N.I.
	2	1C612	CAPSCREW	N.I.
	2	4E6	LOCKWASHER	N.I.

N.S.S. - Not Sold Separately
N.I. - Not Illustrated

T20000 GROUP OUTPUT SHAFT



Date : 12-MAY-15
Revised : A
MODEL : 4501237

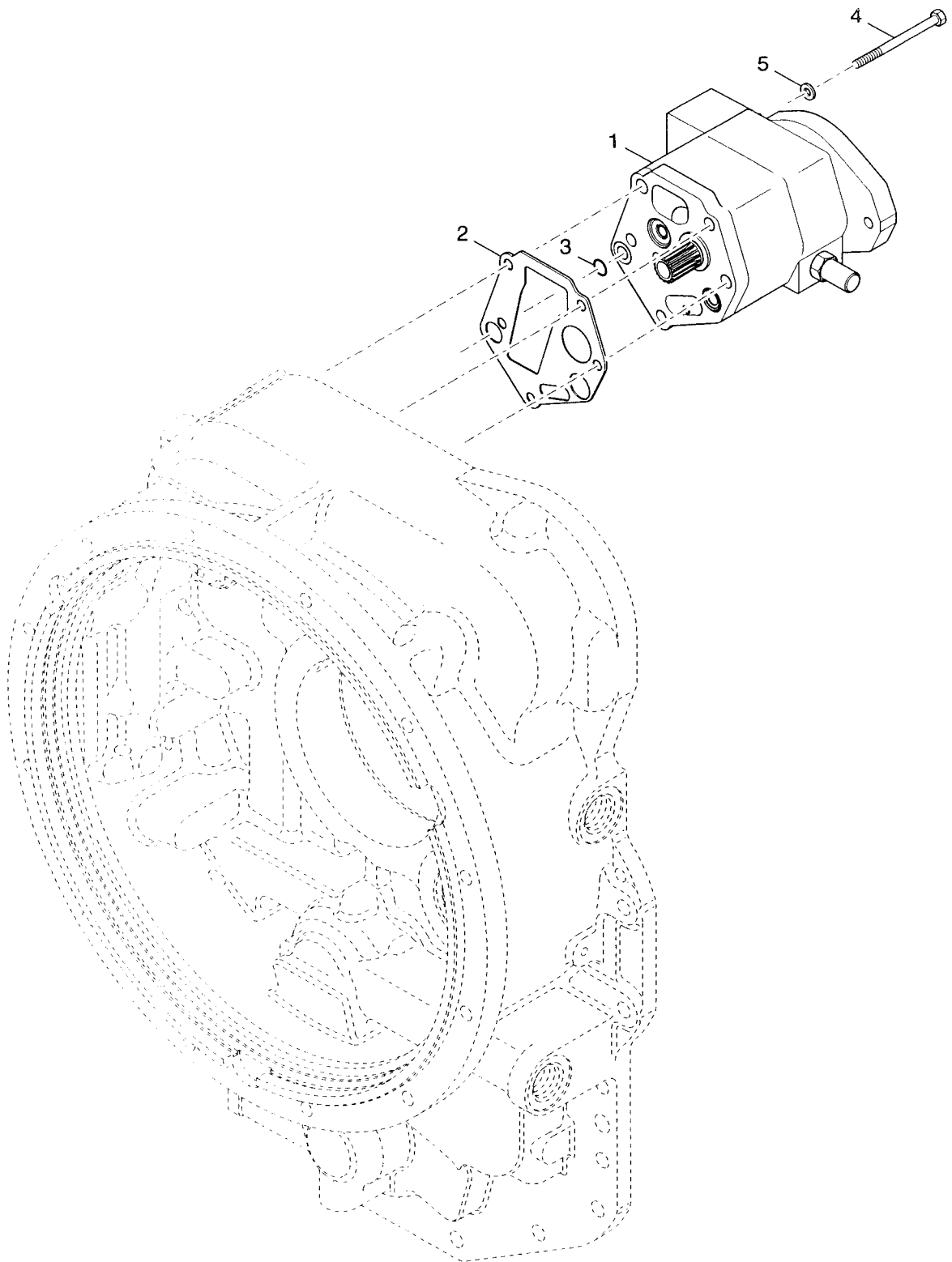
T20000
GROUP-OUTPUT SHAFT

<u>Item</u>	<u>Qty</u>	<u>Part Number</u>	<u>Description</u>
1	1	4205228	SHAFT-OUTPUT
2	1	4205153	BEARING-OUTPUT SHAFT REAR
3	1	244093	BEARING-OUTPUT SHAFT FRONT
4	1	7JM90	RING-OUTUT SHAFT REAR BEARING
5	2	223901	RING-OUTPUT SHAFT FRONT BRG RET.
6	1	234230	WASHER-OUTPUT SHAFT REAR BEARING
7	2	4205154	SEAL-OUTPUT SHAFT
8	4	238903	STUD-BEARING CAP
9	4	4E9	LOCKWASHER-BEARING CAP SCREW
10	4	62D9	NUT-STUD
11	1	4205155	CAP-OUTPUT SHAFT REAR BEARING
12	1	234922	GASKET-OUTPUT BEARING CAP
13	1	235910	SPACER-GEAR
14	2	60K60116	"O" RING-FLANGE
15	2	222179	WASHER-FLANGE
16	2	222960	NUT-FLANGE
17			GEAR-OUTPUT-SEE GEAR GROUP
18			FLANGE - OUTPUT - SEE GEAR GROUP
19			FLANGE - REAR - SEE FRONT PAGE

N.S.S. - Not Sold Separately
N.I. - Not Illustrated

T20000

CHARGING PUMP GROUP



Date : 12-MAY-15
Revised :
MODEL : 4503896

T20000
GROUP-THRU DRIVE PUMP ASSEMBLY

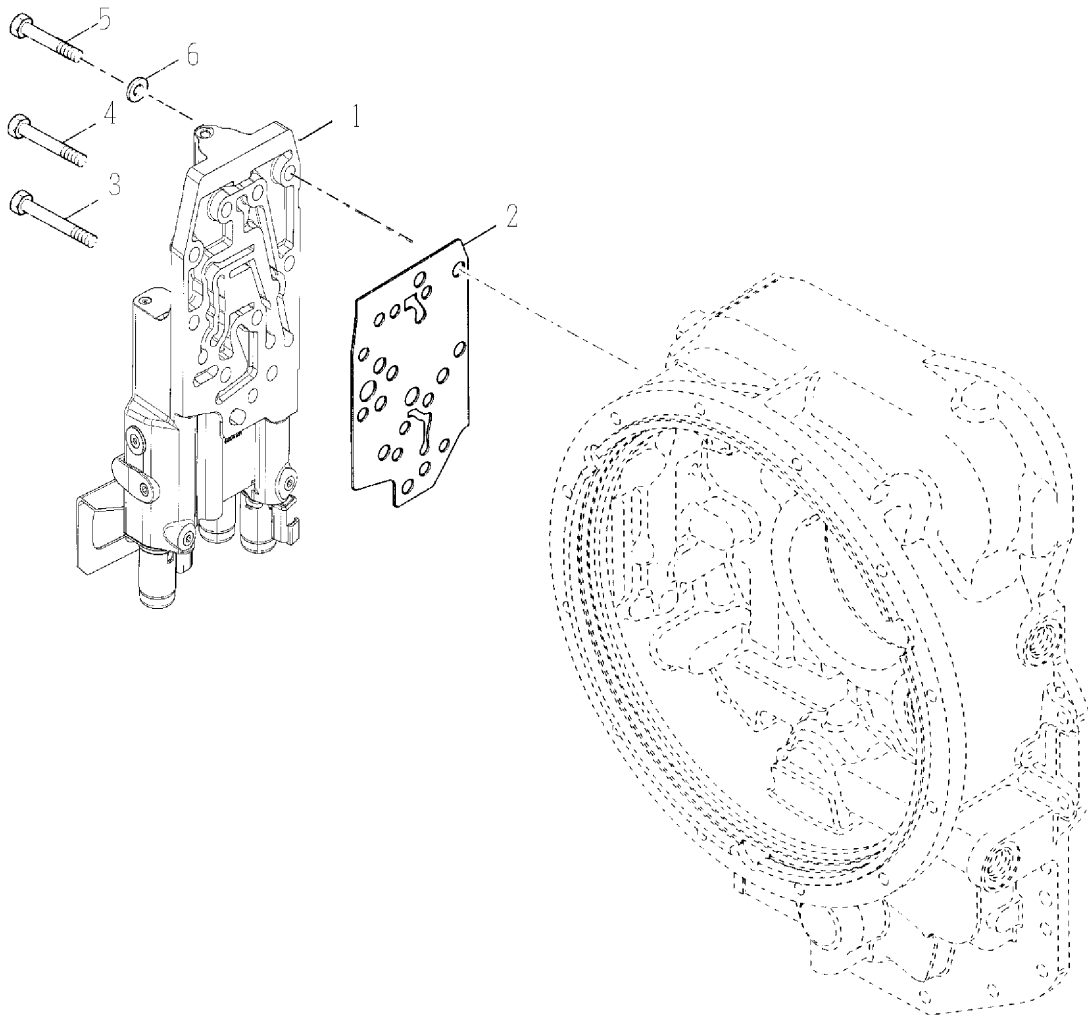
<u>Item</u>	<u>Qty</u>	<u>Part Number</u>	<u>Description</u>	
1	1	4210729	PUMP-THRU DRIVE STANDARD (240-280 PSI)	
2	1	235283	GASKET-PUMP ASSEMBLY TO CONVERTER HOUSING	
3	1	60K30018	"O" RING	
4	5	73G788	SCREW- PUMP MOUNTING	
5	3	4E7	LOCKWASHER-PUMP MOUNTING SCREW	
	1	3614642	COVER-PUMP ADAPTOR SHIPPING	N.I.
	1	4205272	GASKET-SHIPPING COVER	N.I.
	2	1C816	SCREW-SHIPPING COVER	N.I.
	2	4E8	LOCKWASHER-SHIPPING COVER SCREW	N.I.

N.S.S. - Not Sold Separately
N.I. - Not Illustrated

T20000

GROUP-VALVE 3 SPD

W/O INCHING, W/O DECLUTCH AND W/O MODULATION



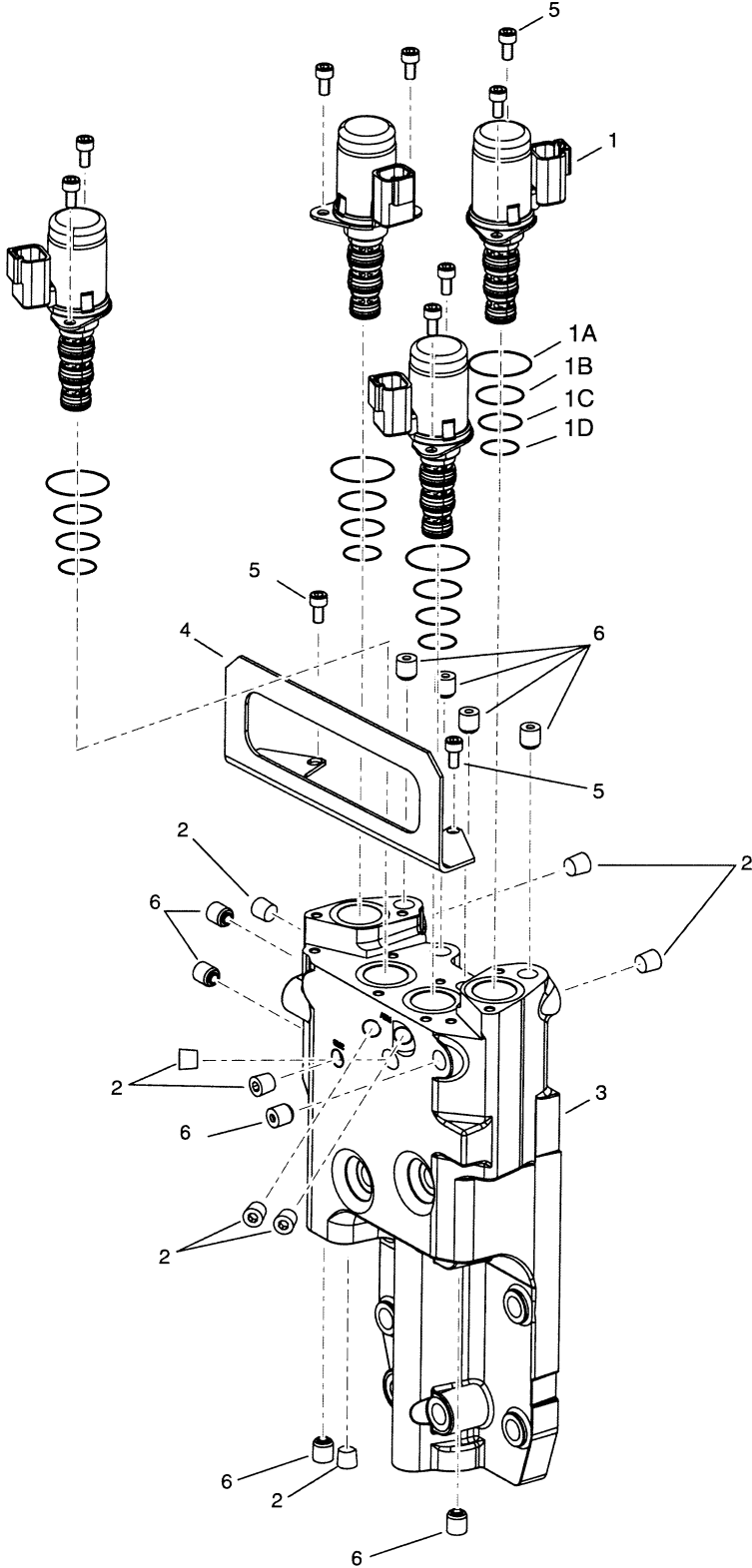
Date : 12-MAY-15
Revised : A
MODEL : 4504027

T20000
GROUP-VALVE 3 SPEED

<u>Item</u>	<u>Qty</u>	<u>Part Number</u>	<u>Description</u>	
1	1	4211199	ASSY-VALVE - DEUTSCH 24V order partnumber 4211199 to service body plug expansions are part of assembly 4211199	
2	1	4211196	GASKET	
3	4	1C624	CAPSCREW	
4	3	1C636	CAPSCREW	
5	2	1C648	CAPSCREW	
6	9	4E6	LOCKWASHER	
	1	4213159	SHIPPING COVER DROPIN SOLENOIDS	N.I.

N.S.S. - Not Sold Separately
N.I. - Not Illustrated

T20000
ASSY-VALVE 3SP
W/O INCHING & W/O DECLUTCH



Date : 12-MAY-15
Revised :
MODEL : 4211199

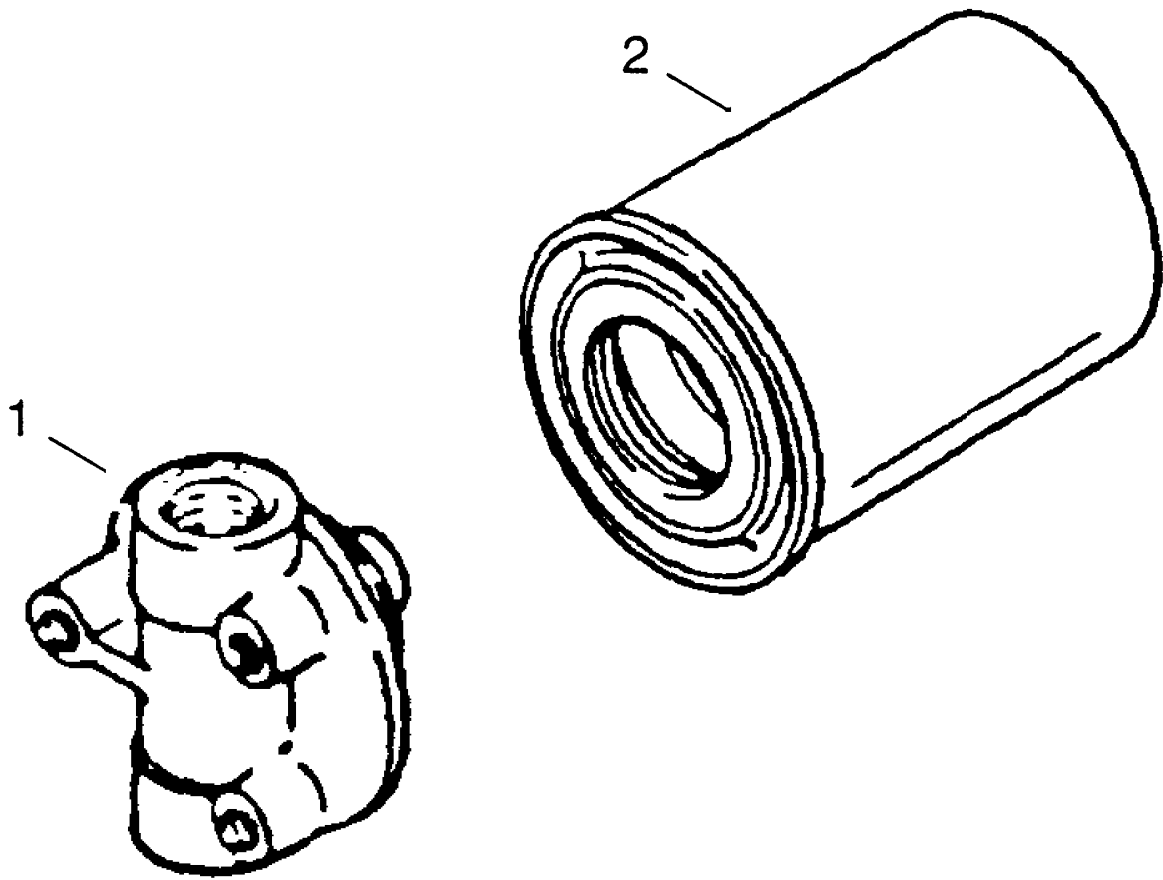
T20000
ASSY-VALVE - DEUTSCH 24V

<u>Item</u>	<u>Qty</u>	<u>Part Number</u>	<u>Description</u>
1	4	4211145	SOLENOID-DEUTSCH 24V-INCL.ITEMS 1A,1B,1C & 1D
1A	4	4210660	O-RING 21.5X1.5 MM VITON - PART OF ITEM 1
1B	4	4210661	O-RING 15.1X1.60 MM VITON - PART OF ITEM 1
1C	4	4210662	O-RING 14.1X1.60 MM VITON - PART OF ITEM 1
1D	4	4210663	O-RING 12.1X1.60 MM VITON - PART OF ITEM 1
2	8	239244	PLUG
3	1	N.S.S.	BODY order partnumber 4211199 to service body
4	1	4211435	COVER-SOLENOID
5	10	1GM510	CAPSCREW M5X10
6	9	N.S.S.	PLUG-EXPANSION DIA 10 plug expansions are part of assembly 4211199

N.S.S. - Not Sold Separately
N.I. - Not Illustrated

T20000

GROUP - REMOTE FILTER



Date : 12-MAY-15
Revised :
MODEL : 247055

18000-24000
ASSEMBLY-OIL FILTER AND ADAPTOR

<u>Item</u>	<u>Qty</u>	<u>Part Number</u>	<u>Description</u>
1	1	236645	ADAPTOR-FILTER
2	1	247052	ASSEMBLY-OIL FILTER

N.S.S. - Not Sold Separately
N.I. - Not Illustrated



SPICER OFF-HIGHWAY

Technical Service Bulletin

N°. BEA 280 E

Month - Year : 03 - 00

Subject : T20000 Series Transmissions – drive plate kits

Reason for bulletin : Proper identification by bolt circle diameter

Models affected : T20000 Series Transmissions

Ref. : Installation sheet 814974

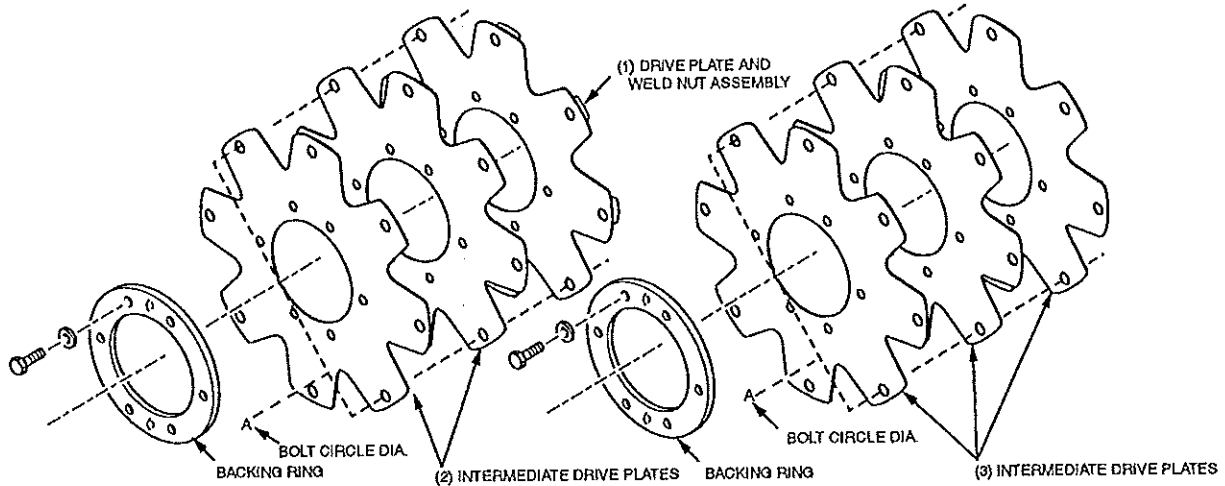
Please see attached two pages.

Additional copies of bulletin available upon request. Phone Spicer Off-Highway :
(704) 878-5850 (U.S.A.) – (39) 0464-580214 (Italy) – (32) 50-402442 (Belgium).

People Finding A Better Way

**T20000 SERIES TRANSMISSIONS
DRIVE PLATE KITS**

Measure the "A" dimension (bolt circle diameter) and order drive plate kit listed below. Note three (3) kits have two (2) intermediate drive plates and one (1) drive plate and weld nut assembly. Three (3) kits with three intermediate drive plates.



"A" Dimension (Bolt circle diameter)

- 11.380" (288.900 mm)diameter
Kit No.814978.
- 13.125" (333.38 mm)diameter
Kit No.814977.
- 13.500" (342.90 mm)diameter
Kit No.814975.

Each kit will include the following parts:

- 2 Intermediate drive plates.
- 1 Drive plate and weld nut assembly.
- 1 Backing ring.
- Mounting screws.
- 6 Lockwashers.
- 1 Instruction sheet.

"A" Dimension (Bolt circle diameter)

- 11.380" (288.900 mm)diameter
Kit No.814979.
- 13.125" (333.38 mm)diameter
Kit No.814980.
- 13.500" (342.90 mm)diameter
Kit No.814981.

Each kit will include the following parts:

- 3 Intermediate drive plates.
- 1 Backing ring.
- 6 Mounting screws.
- 6 Lockwashers.
- 1 Instruction sheet.

Position drive plate and weld nut assembly on torque converter assembly with weld nuts toward converter. Align intermediate drive plates and backing plate with holes in torque converter assembly.

NOTE

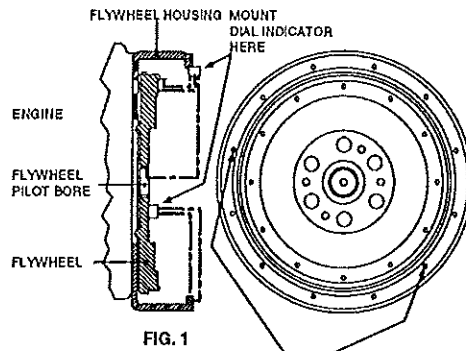


Two dimples 180° apart in backing ring must be out toward engine flywheel (hollow side facing torque converter assembly). Install cap screws and lockwashers. Tighten cap screws torque 40 - 50 Nm. (30 - 37 lb. ft.).

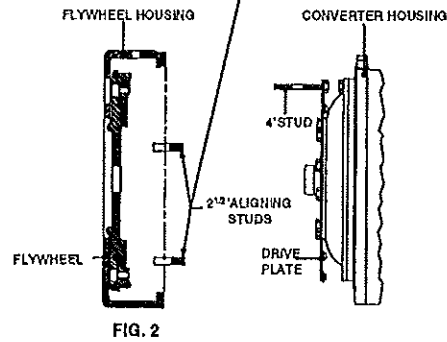


TRANSMISSION TO ENGINE INSTALLATION PROCEDURE

1. Remove all burrs from flywheel mounting face and nose pilot bore. Clean drive plate surface with solvent.
2. Check engine flywheel & housing for conformance to standard SAE No. 3 per SAE J927 and J1033 tolerance specifications for pilot bore size, pilot bore runout and mounting face flatness. Measure and record engine crankshaft end play (Fig. 1).
3. Install two 63,50 mm (2.50") long transmission to flywheel housing guide studs in the engine flywheel housing as shown. Rotate the engine flywheel to align a drive plate mounting screw hole with the flywheel housing access hole (Fig. 2).

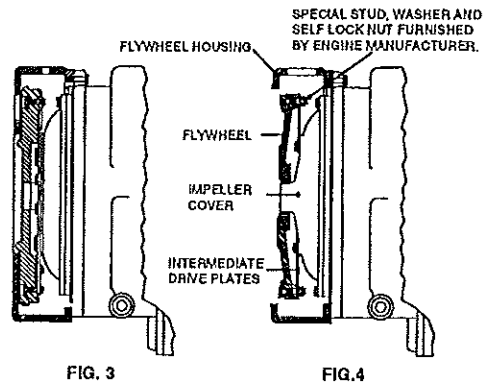


- *4. Install a 101,60 mm (4.00") long drive plate locating stud .3750-24 fine thread in a drive plate nut. Align the locating stud in the drive plate, with the flywheel drive plate mounting screw hole positioned in step No. 3.
5. Rotate the transmission torque converter to align the locating stud in the drive plate with the flywheel drive plate mounting screw hole positioned in step No. 3. Locate transmission on flywheel housing.

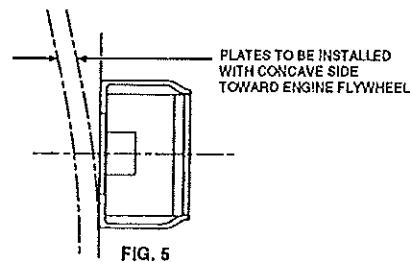


Aligning drive plate to flywheel and transmission to flywheel housing guide studs. Install transmission to flywheel housing screws. Tighten screws to specified torque. Remove transmission to engine guide studs. Install remaining screws and tighten to specified torque.

- *6. Remove drive plate locating stud.
7. Install drive plate attaching screw and washer. Snug screw but **do not tighten**. Some engine flywheel housings have a hole located on the flywheel housing circumference in line with the drive plate screw access hole. A screwdriver or pry bar used to hold the drive plate against the flywheel will facilitate installation of the drive plate screws. Rotate the engine flywheel and install the remaining seven (7) flywheel to drive plate attaching screws. Snug screws but **do not tighten**. After all eight (8) screws are installed. Torque each one 35 to 39 Nm. (26- 29ft.lbs.). This will require tightening each screw and rotating the engine flywheel until the full amount of eight (8) screws have been tightened to specified torque.



8. Measure engine crankshaft end play after transmission has been completely installed on engine flywheel. This value must be within 0,025 mm (0.001") of the end play recorded in step No. 2.



*Does not apply to units having 3 intermediate drive plates. See Fig.4.

Date : 04-SEP-13
Revised : D
MODEL : 814976

T20000
KIT-GASKET AND SEALING FOR LONG DROP

<u>Item</u>	<u>Qty</u>	<u>Part Number</u>	<u>%</u>	<u>Description</u>
10	1	4205090	B	GASKET-CONV HSG TO TRANS CASE
20	3	4203422	B	O RING-SPEED SENSOR
30	1	4205097	B	O RING-SUCTION TUBE ASSEMBLY
40	1	4205101	B	GASKET-TRANS CASE TO REAR COVER
50	4	60K40026	B	O RING
60	3	60K30018	B	O RING
70	1	4205235	B	RING-PISTON
80	1	250219	B	RING-PISTON
90	1	4204710	B	SEAL-OIL BAFFLE
100	1	241237	B	SEALING-RING
110	2	60K30114	B	O RING
120	5	237032	B	SEAL-CLUTCH PISTON - OUTER
130	5	234113	B	SEAL-CLUTCH PISTON - INNER
140	7	4208098	B	PISTON-RING
150	1	76K223	B	IDLER SHAFT O RING - REVERSE-
160	1	60K30022	B	DISCONNECT HOUSING O RING
170	1	60K40328	B	DISCONNECT HOUSING O RING
180	1	76K125	B	O-RING
190	2	4205154	B	SEAL-OUTPUT SHAFT
200	1	60K30016	B	DISCONNECT ACTUATOR PISTON O RING
210	1	249158	B	DISCONNECT ACTUATOR RING-PISTON SEAL
220	1	60K40124	B	DISCONNECT HSG O RING
230	2	60K60116	B	OUTPUT FLANGE O RING
240	1	60K40112	B	AIR SHIFT CYLINDER HOUSING O RING
250	1	235283	B	PUMP ASSY TO CONVERTER GASKET

N.S.S. - Not Sold Separately
N.I. - Not Illustrated
% - Part Stock Recommendation

Date : 04-SEP-13
Revised : D
MODEL : 814976

T20000
KIT-GASKET AND SEALING FOR LONG DROP

<u>Item</u>	<u>Qty</u>	<u>Part Number</u>	<u>%</u>	<u>Description</u>
260	1	247614	B	GASKET-CONTROL VALVE TO CONVERTER
270	1	241150	B	SEAL-PISTON ROD HI/LO SHIFT CYLINDER
280	1	241152	B	O RING-SEAL HI/LO SHIFT CYLINDER
290	1	25K20012	B	O RING-SEAL HI/LO SHIFT CYLINDER
300	2	241153	B	HI/LO SHIFT CYLINDERPISTON CUP SEAL
310	1	60K30122	B	HI/LO SHIFT CYLINDER CAP O RING
320	1	247616	B	GASKET-CONTROL VALVE COVER
330	4	76K000008000B		CONTROL VALVE CARTRIDGE O RING
340	4	76K12	B	CONTROL VALVE CARTRIDGE O RING
350	4	76K13	B	CONTROL VALVE CARTRIDGE O RING
360	8	76K20	B	CONTROL VALVE SOLENOID &SOLENOID NUT O RING
370	1	91F7	B	O RING - PLUG
380	3	91F6	B	O RING - PLUG
390	7	91F5	B	O RING - PLUG
400	1	250215	B	LOW SHAFT RING-PISTON
405	1	232640	B	GASKET
410	1	243915	B	GASKET-PUMP ADAPTOR
415	1	245699	B	GASKET
420	1	4206098	B	GASKET-ADAPTER PLATE
425	1	239892	B	SEAL-OIL
430	1	91F4	B	O-RING
435	1	60K40420	B	O-RING
440	1	4211196	B	GASKET
445	4	4210660	B	O-RING
450	4	4210661	B	O-RING

N.S.S. - Not Sold Separately
N.I. - Not Illustrated
% - Part Stock Recommendation

Date : 04-SEP-13
Revised : D
MODEL : 814976

T20000
KIT-GASKET AND SEALING FOR LONG DROP

<u>Item</u>	<u>Qty</u>	<u>Part Number</u>	<u>%</u>	<u>Description</u>
455	4	4210662	B	O-RING
460	4	4210663	B	O-RING
465	1	234922	B	GASKET-OUTPUT BEARING CAP
470	1	247615	B	GASKET-MODULATION VALVE TO CONV. HSG.

N.S.S. - Not Sold Separately
N.I. - Not Illustrated
% - Part Stock Recommendation



Part Stocking Recommendation

The table below is a minimum spare parts inventory recommendation designated by letter code in each Service Parts List. Each letter code indicates a percentage for determining stock quantities to support the field population. Any quantity less than 1 or partial quantities need not be stocked.

Letter Code	Percentage	Example
A	15%	Part quantity = 10 per unit Field Population = 240 units Recommended stock = 240 units x 10 per unit x .15 = 360 parts
B	10%	Part quantity = 4 per unit Field Population = 66 units Recommended stock = 66 units x 4 per unit x .10 = 26.4 or 26 parts
C	6%	Part quantity = 2 per unit Field Population = 203 units Recommended stock = 203 units x 2 per unit x .06 = 24.4 or 24 parts
D	4%	Part quantity = AR* Field Population = 42 units Recommended stock = 42 units x 3 per unit x .04 = 5.04 or 5 parts
E	2%	Part quantity = 1 per unit Field Population = 75 units Recommended stock = 75 units x 1 per unit x .02 = 1.5 or 1 part
*Part quantities denoted by "AR" (as required) should be ordered by a quantity of 3 per unit.		

© Copyright 2015 Dana Holding Corporation

All content is subject to copyright by Dana and may not be reproduced in whole or in part by any means, electronic or otherwise, without prior written approval.

THIS INFORMATION IS NOT INTENDED FOR SALE OR RESALE, AND THIS NOTICE MUST REMAIN ON ALL COPIES.

For product inquiries or support,
visit www.dana.com or call 419-887-6445

For other service publications,
visit www.SpicerParts.com/literature.asp

For online service parts ordering,
visit www.SpicerParts.com/order.asp



SPICER[®]

Off-Highway Products